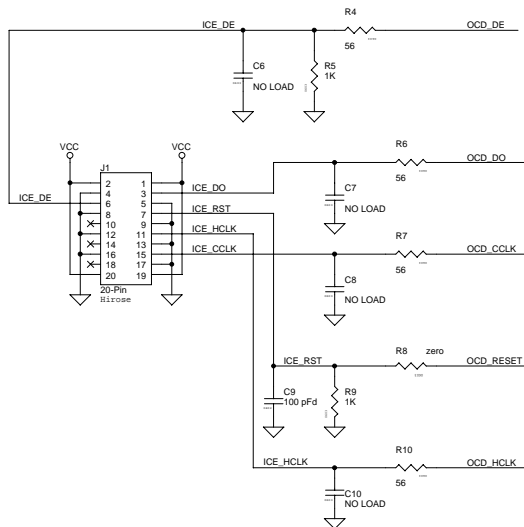
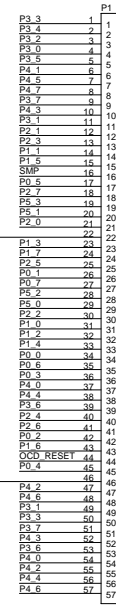
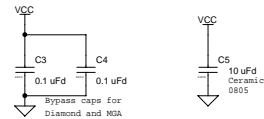
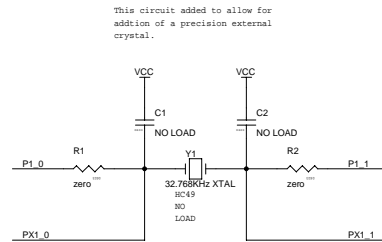
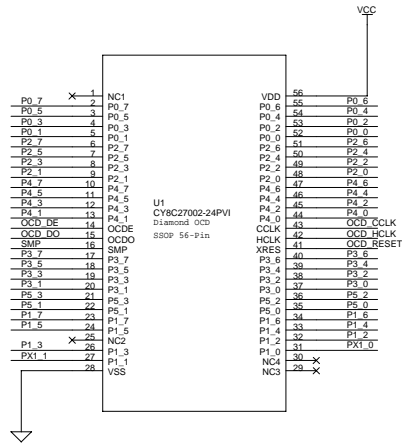


### Diamond NON-QFN POD Schematic



PCB: PDCR-9350 \*\*  
PCA: 121R-35000 \*\*

CYPRESS SEMICONDUCTOR © 2005		
Title Diamond NON-QFN POD		
Size C	Document Number REF-13643	Rev 0.1
Date Tuesday, July 25, 2006	Sheet 1	of 1