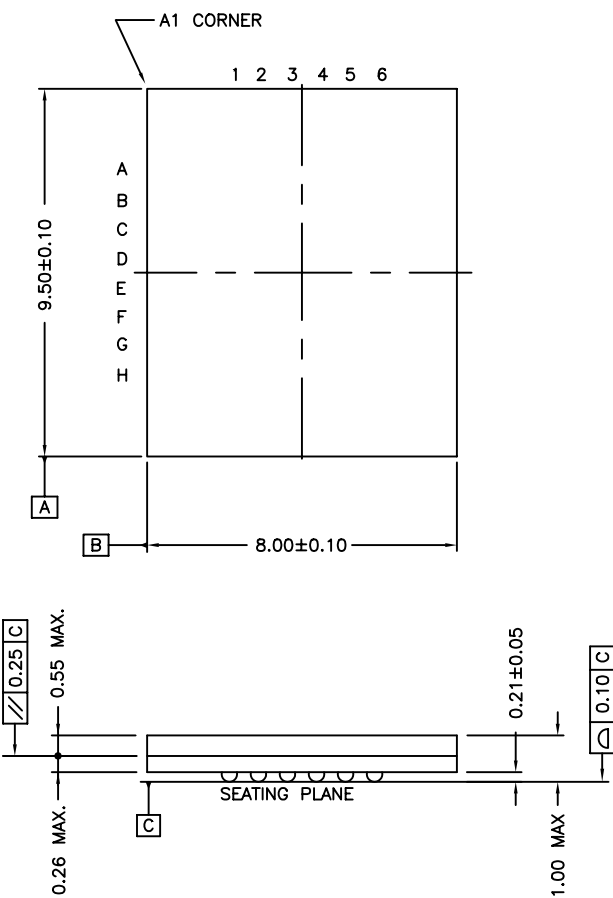
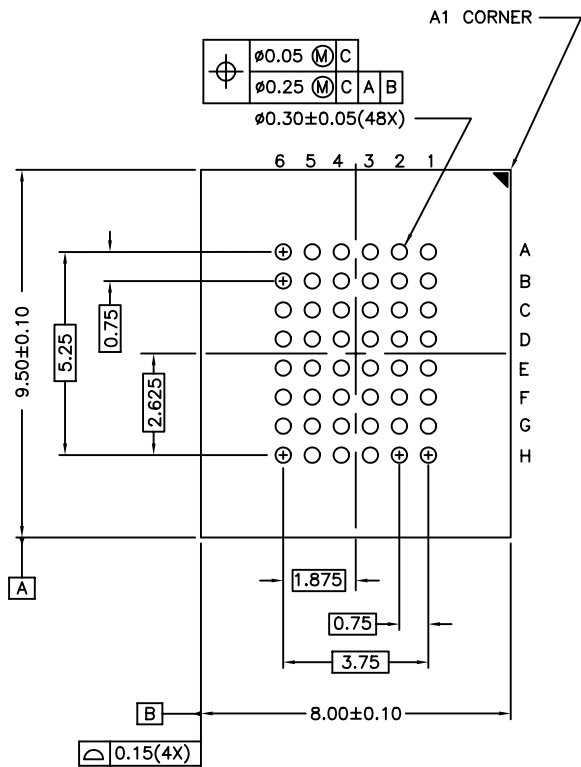


| REVISIONS | | | | | |
|-----------|-----|--------|-------------|----------|----------|
| ZONE | REV | ECN | DESCRIPTION | DATE | APPROVED |
| | ** | 122570 | NEW RELEASE | 01/14/03 | |

TOP VIEW



BOTTOM VIEW



| | | | | |
|-----------------------------------|--------|-------------|----------|--|
| UNLESS OTHERWISE SPECIFIED | | DESIGNED BY | DATE | CYPRESS COMPANY CONFIDENTIAL |
| ALL DIMENSIONS ARE IN MILLIMETERS | | DRAWN | DATE | |
| STANDARD TOLERANCES IN: | | HTN | 01/14/03 | |
| DECIMALS | ANGLES | CHK BY | DATE | |
| JOK * | * | APPROVED BY | DATE | TITLE |
| JOKK * | | APPROVED BY | DATE | 48 VFBGA (8x9.5x1.0MM) PACKAGE OUTLINE |
| JOKKK * | | | | SIZE |
| | | | | A |
| MATERIAL | | | | PART NO. |
| | | | | BV48B |
| FINISH | | | | DWG NO. |
| | | | | 51-85178 |
| | | | | REV |
| | | | | ** |
| | | | | SCALE |
| | | | | 1: 1 |
| | | | | SHEET 1 OF 1 |

THIS DRAWING CONTAINS INFORMATION WHICH IS THE PROPRIETARY PROPERTY OF CYPRESS COMPANY. THIS DRAWING IS PREPARED IN CONFERENCE AND ITS CONTENTS MAY NOT BE DISCLOSED WITHOUT WRITTEN CONSENT OF CYPRESS COMPANY.