


# CY8CMOD-062S3-4343W

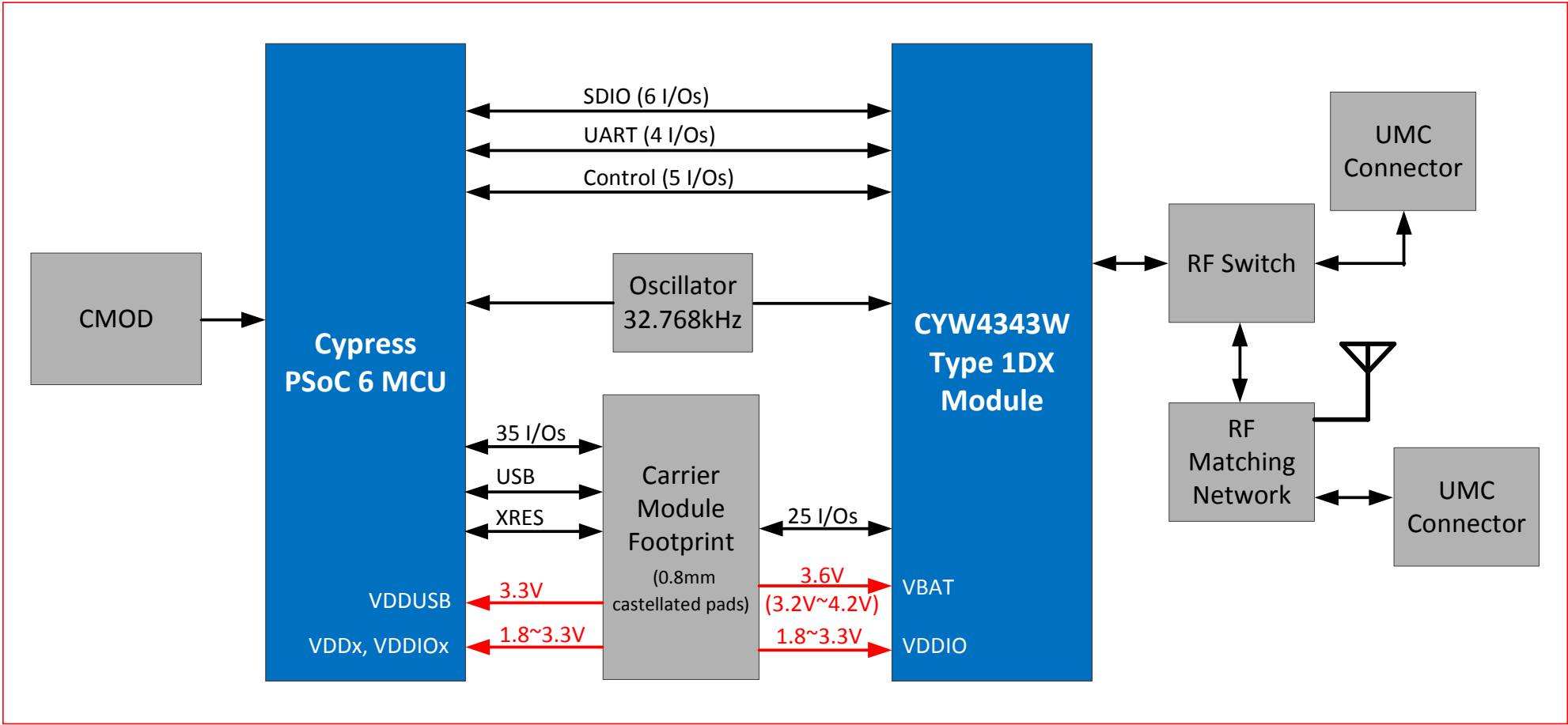
## PSoC 6 (512K) with CYW4343W Carrier Module

<b>CONTENTS</b>	
<b>PAGE</b>	<b>DESCRIPTION</b>
01	Title, Table of Contents & Drawing Numbers
02	Block Diagram
03	PSoC 6 MCU Power
04	PSoC 6 MCU Signals
05	LBEE5KL1DX Module Power
06	LBEE5KL1DX Module Signals
07	Interface to BaseBoard
08	Revision History

<b>Drawing Numbers</b>	
PCBA	121-60566-01
PCB	600-60566-01
FAB DRW	610-60566-01
ASSY DRW	620-60566-01
SCH DRW	630-60566-01

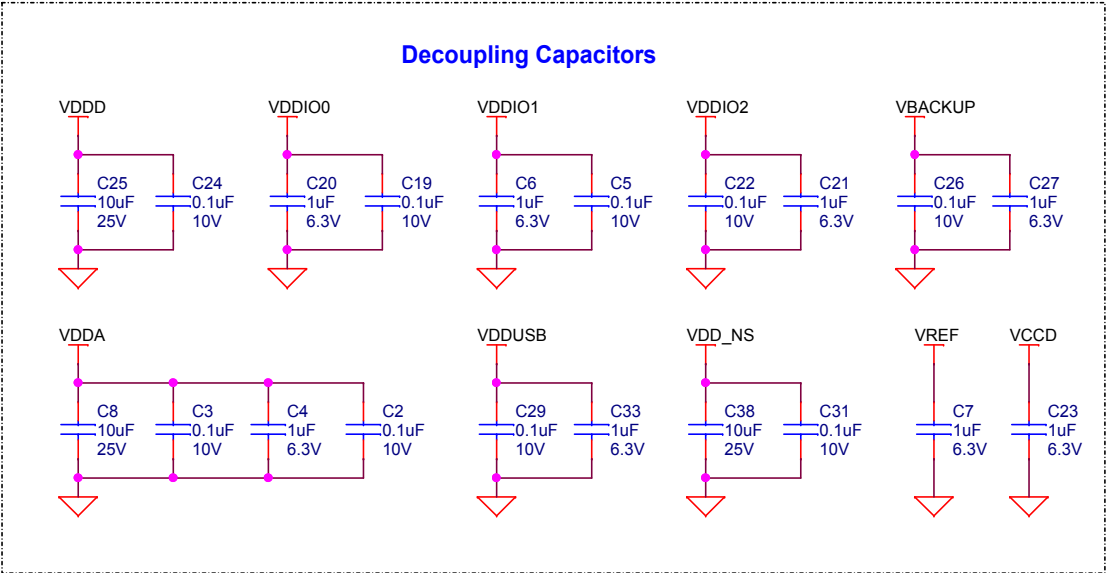
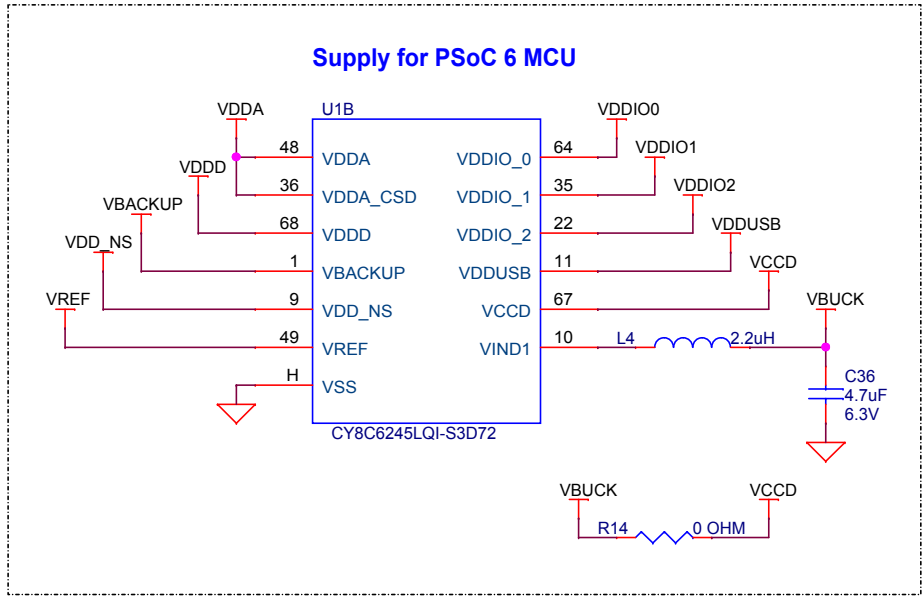
 <b>CYPRESS</b> <small>EMBEDDED IN TOMORROW™</small>		<b>CYPRESS SEMICONDUCTOR</b> 198 CHAMPION COURT SAN JOSE, CA 95134 (408) 943-2600		
<b>CYPRESS SEMICONDUCTOR © 2019</b>				
<b>SCH Title : PSoC 6 (512K) with CYW4343W Carrier Module</b>				
<b>Page Title : Title Page</b>				
Size A4	Document Number <b>630-60566-01</b>	Drawn By <b>AARA</b>	Approved By <b>RKAD</b>	Rev <b>02</b>
Date: Thursday, September 26, 2019			Sheet	1 of 8

# Block Diagram

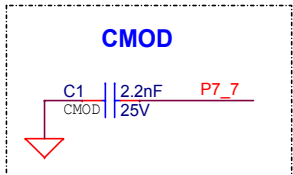
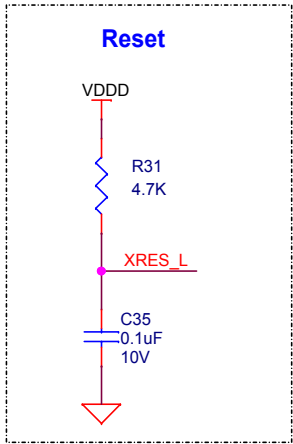
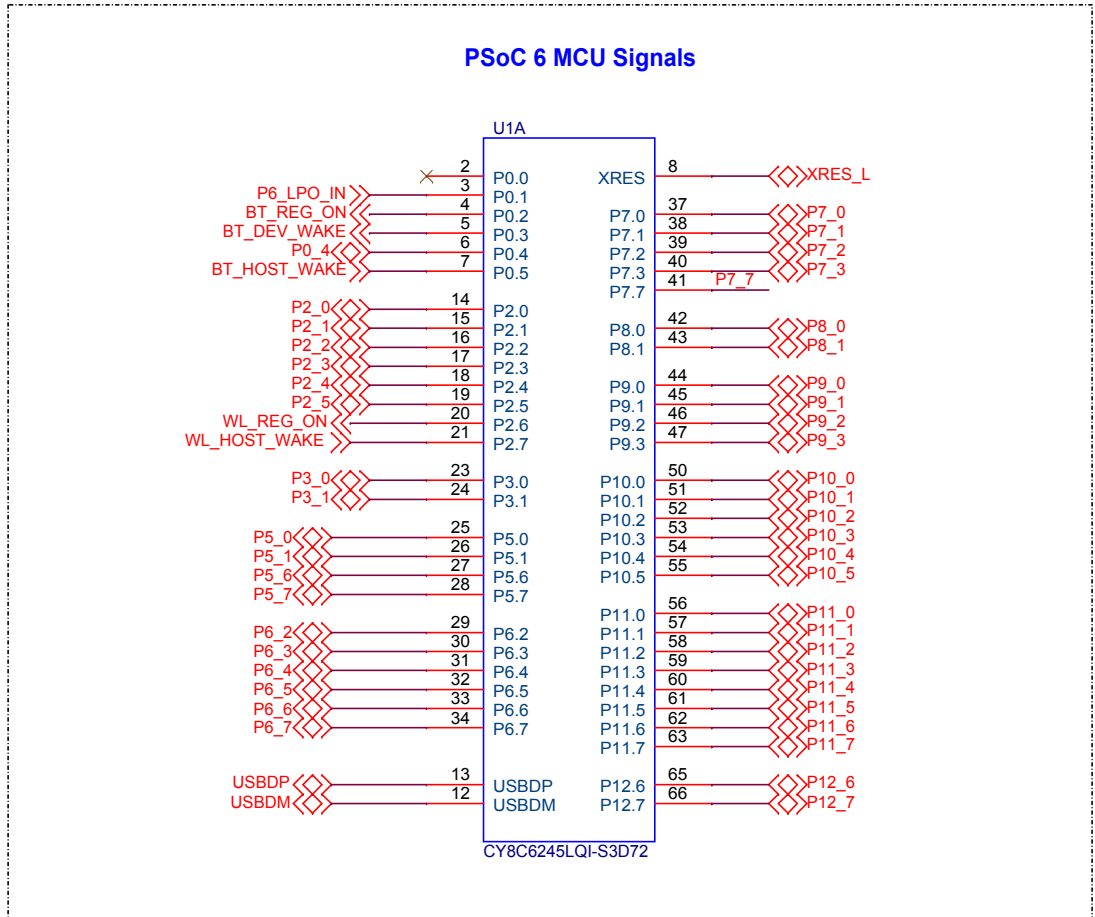


**CYPRESS SEMICONDUCTOR**  
 198 CHAMPION COURT  
 SAN JOSE, CA 95134  
 (408) 943-2600

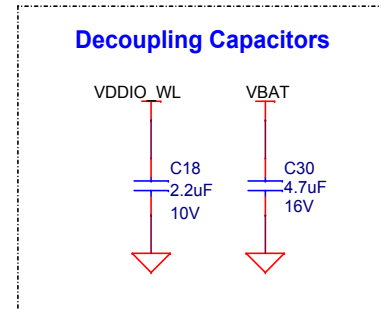
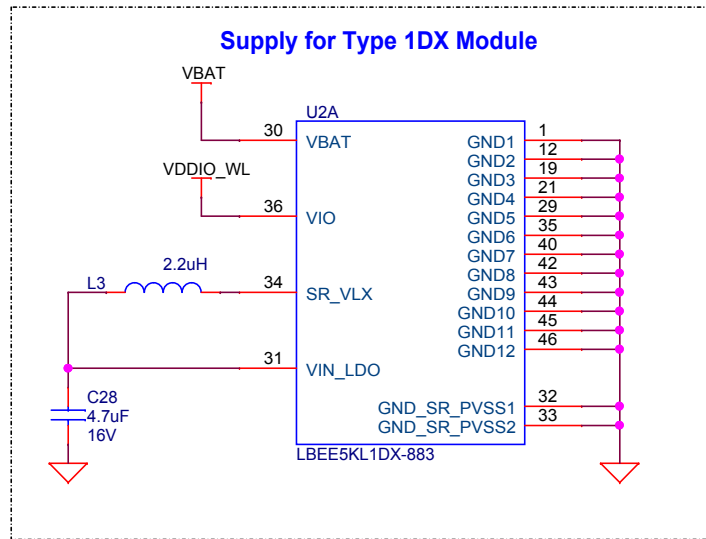
<b>CYPRESS SEMICONDUCTOR © 2019</b>				
<b>SCH Title : PSoC 6 (512K) with CYW4343W Carrier Module</b>				
<b>Page Title : Block Diagram</b>				
Size A4	Document Number <b>630-60566-01</b>	Drawn By <b>AARA</b>	Approved By <b>RKAD</b>	Rev <b>02</b>
Date:	Thursday, September 26, 2019		Sheet	2 of 8



<b>CYPRESS SEMICONDUCTOR © 2019</b>				
<b>SCH Title : PSoC 6 (512K) with CYW4343W Carrier Module</b>				
<b>Page Title : PSoC 6 Power</b>				
Size A4	Document Number <b>630-60566-01</b>	Drawn By <b>AARA</b>	Approved By <b>RKAD</b>	Rev <b>02</b>
Date: Thursday, September 26, 2019		Sheet <b>3</b> of <b>8</b>		



<b>CYPRESS SEMICONDUCTOR © 2019</b>				
<b>SCH Title : PSoC 6 (512K) with CYW4343W Carrier Module</b>				
<b>Page Title : PSoC 6 Signals</b>				
Size A4	Document Number <b>630-60566-01</b>	Drawn By <b>AARA</b>	Approved By <b>RKAD</b>	Rev <b>02</b>
Date:	Thursday, September 26, 2019		Sheet	4 of 8



**CYPRESS**  
 EMBEDDED IN TOMORROW™

**CYPRESS SEMICONDUCTOR**  
 198 CHAMPION COURT  
 SAN JOSE, CA 95134  
 (408) 943-2600

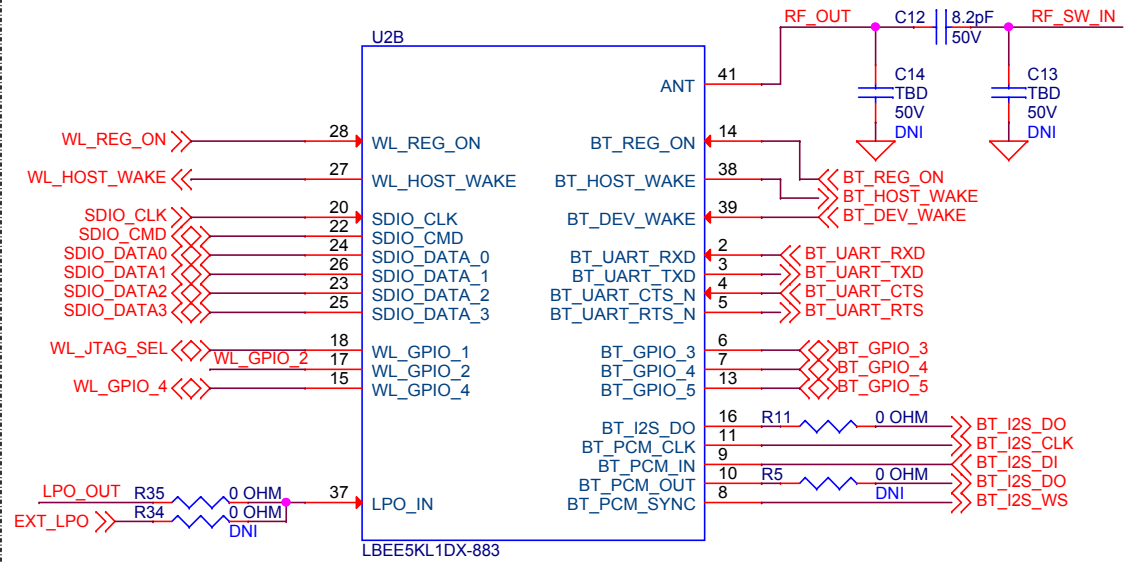
**CYPRESS SEMICONDUCTOR © 2019**

**SCH Title : PSoC 6 (512K) with CYW4343W Carrier Module**

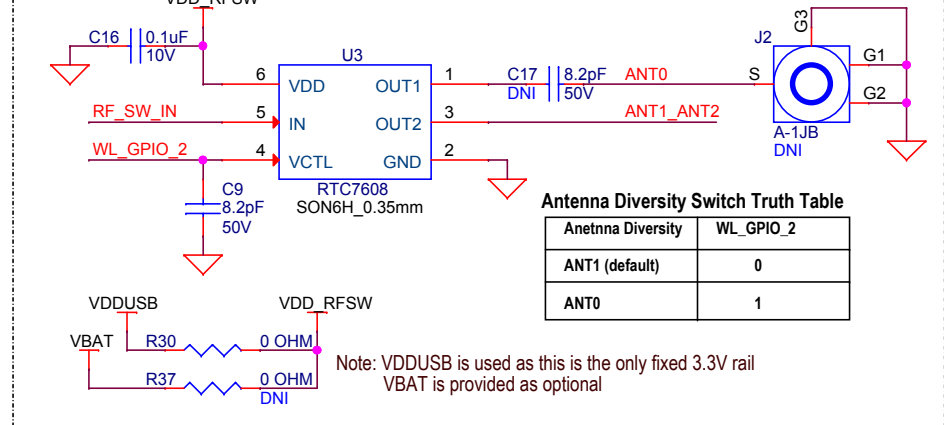
**Page Title : LBEE5KL1DX Module Power**

Size A4	Document Number <b>630-60566-01</b>	Drawn By <b>AARA</b>	Approved By <b>RKAD</b>	Rev <b>02</b>
Date:	Thursday, September 26, 2019		Sheet	5 of 8

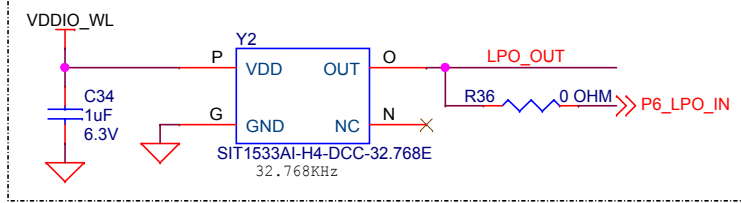
### Type 1DX Module Signals



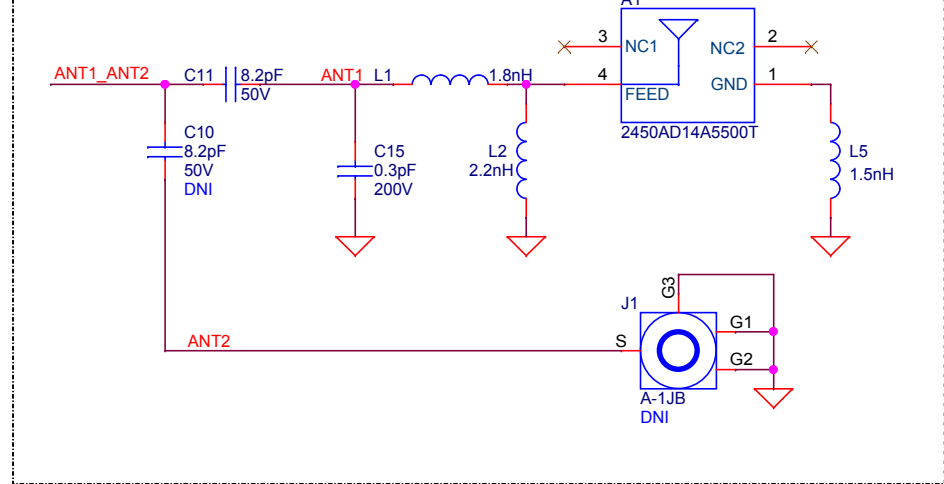
### Antenna Diversity Switch



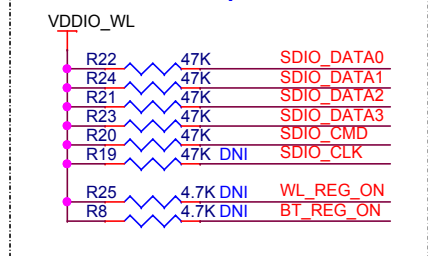
### Onboard LPO



### Antenna

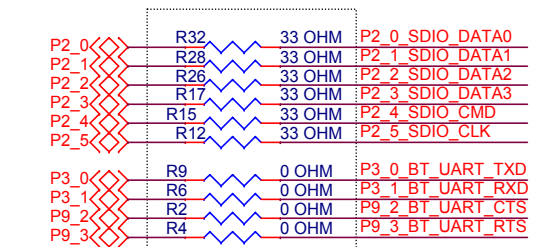


### Pull-ups

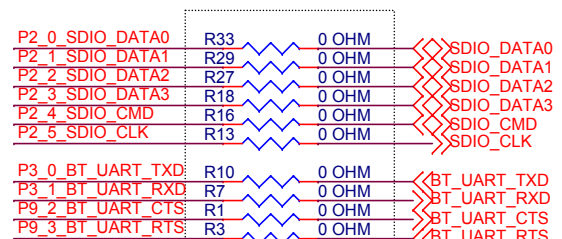


CYPRESS SEMICONDUCTOR © 2019				
SCH Title : PSoC 6 (512K) with CYW4343W Carrier Module				
Page Title : LBEE5KL1DX Module Signals				
Size A4	Document Number 630-60566-01	Drawn By AARA	Approved By RKAD	Rev 02
Date:	Thursday, September 26, 2019		Sheet	6 of 8

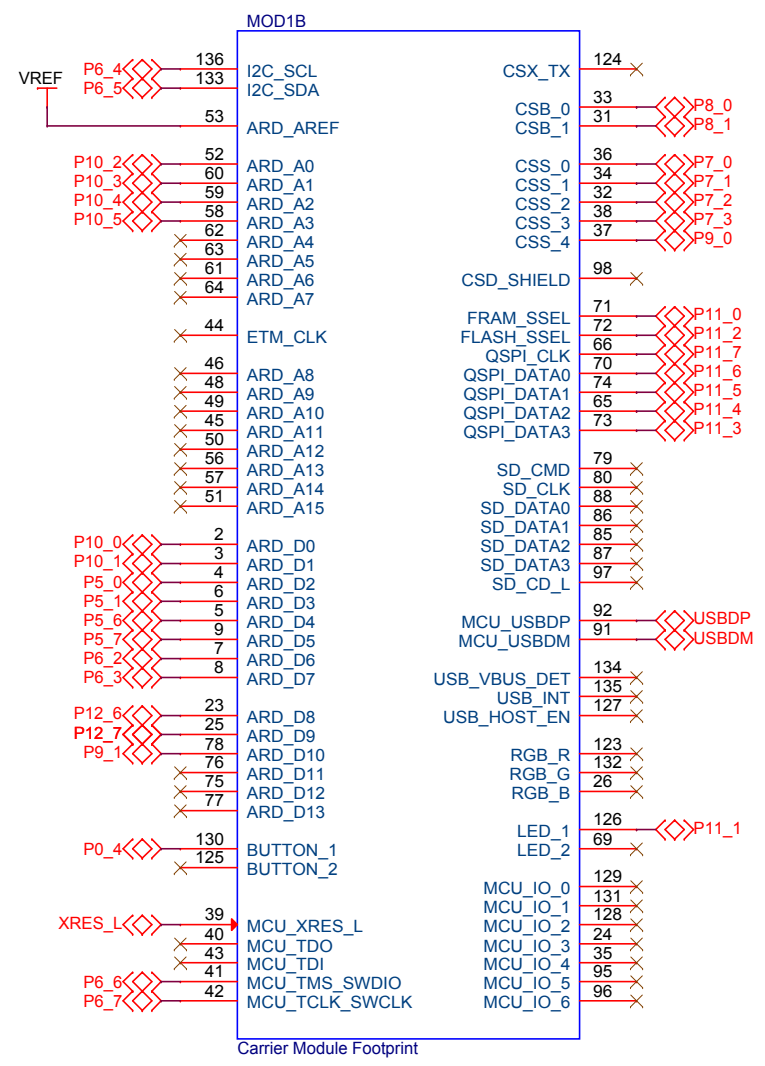
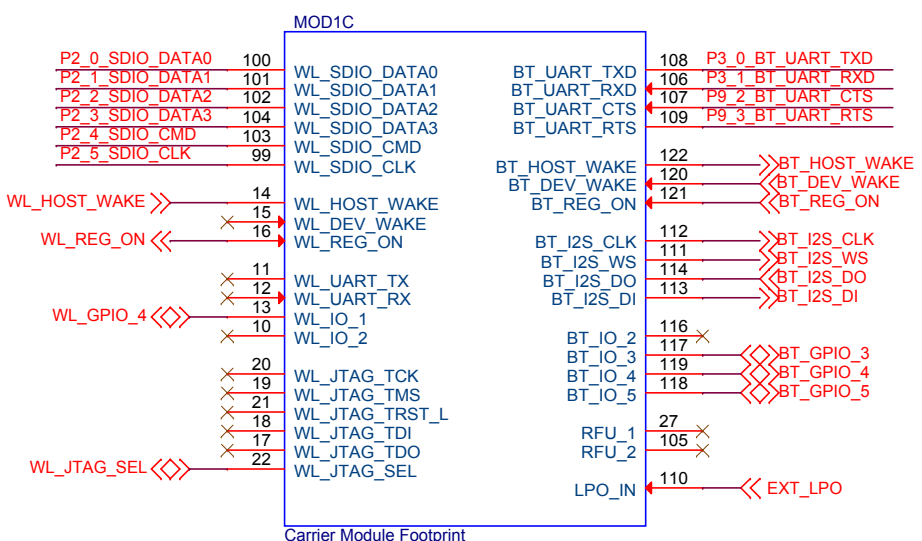
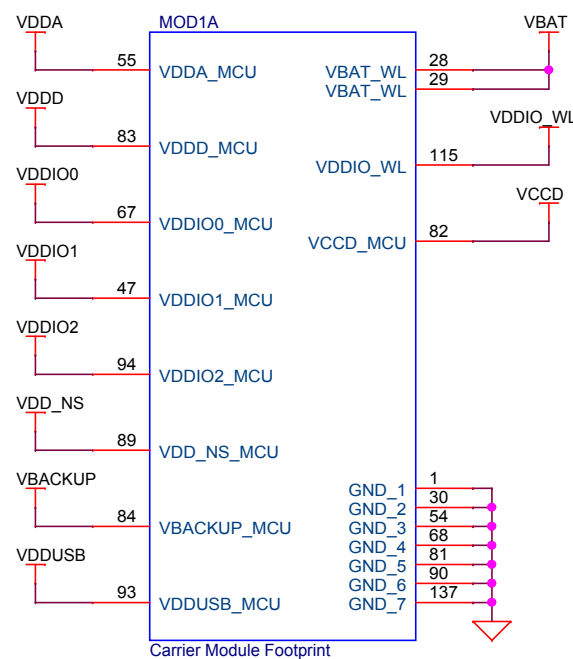
# Carrier Module Footprint




Remove these resistors to isolate PSoC 6 from castellated pads



Remove these resistors to isolate CYW4343W from castellated pads





**CYPRESS**  
 EMBEDDED IN TOMORROW™  
**CYPRESS SEMICONDUCTOR**  
 198 CHAMPION COURT  
 SAN JOSE, CA 95134  
 (408) 943-2600

<b>CYPRESS SEMICONDUCTOR © 2019</b>				
<b>SCH Title : PSoC 6 (512K) with CYW4343W Carrier Module</b>				
<b>Page Title : Interface to BaseBoard</b>				
Size A4	Document Number <b>630-60566-01</b>	Drawn By <b>AARA</b>	Approved By <b>RKAD</b>	Rev <b>02</b>
Date:	Thursday, September 26, 2019	Sheet	7	of 8

# REVISION HISTORY

REV	DESCRIPTION OF CHANGE	Orig. of Change	DATE
01	Internal Release	AARA	2019/07/24
02	Initial Release	AARA	2019/09/26



**CYPRESS SEMICONDUCTOR**  
 198 CHAMPION COURT  
 SAN JOSE, CA 95134  
 (408) 943-2600

---

**CYPRESS SEMICONDUCTOR © 2019**

SCH Title : **PSoC 6 (512K) with CYW4343W Carrier Module**

Page Title : **Revision History**

Size A4	Document Number <b>630-60566-01</b>	Drawn By <b>AARA</b>	Approved By <b>RKAD</b>	Rev <b>02</b>
------------	--	-------------------------	----------------------------	------------------

Date: **Thursday, September 26, 2019**      Sheet **8** of **8**