


CYW9P62S1-43438CAR-01

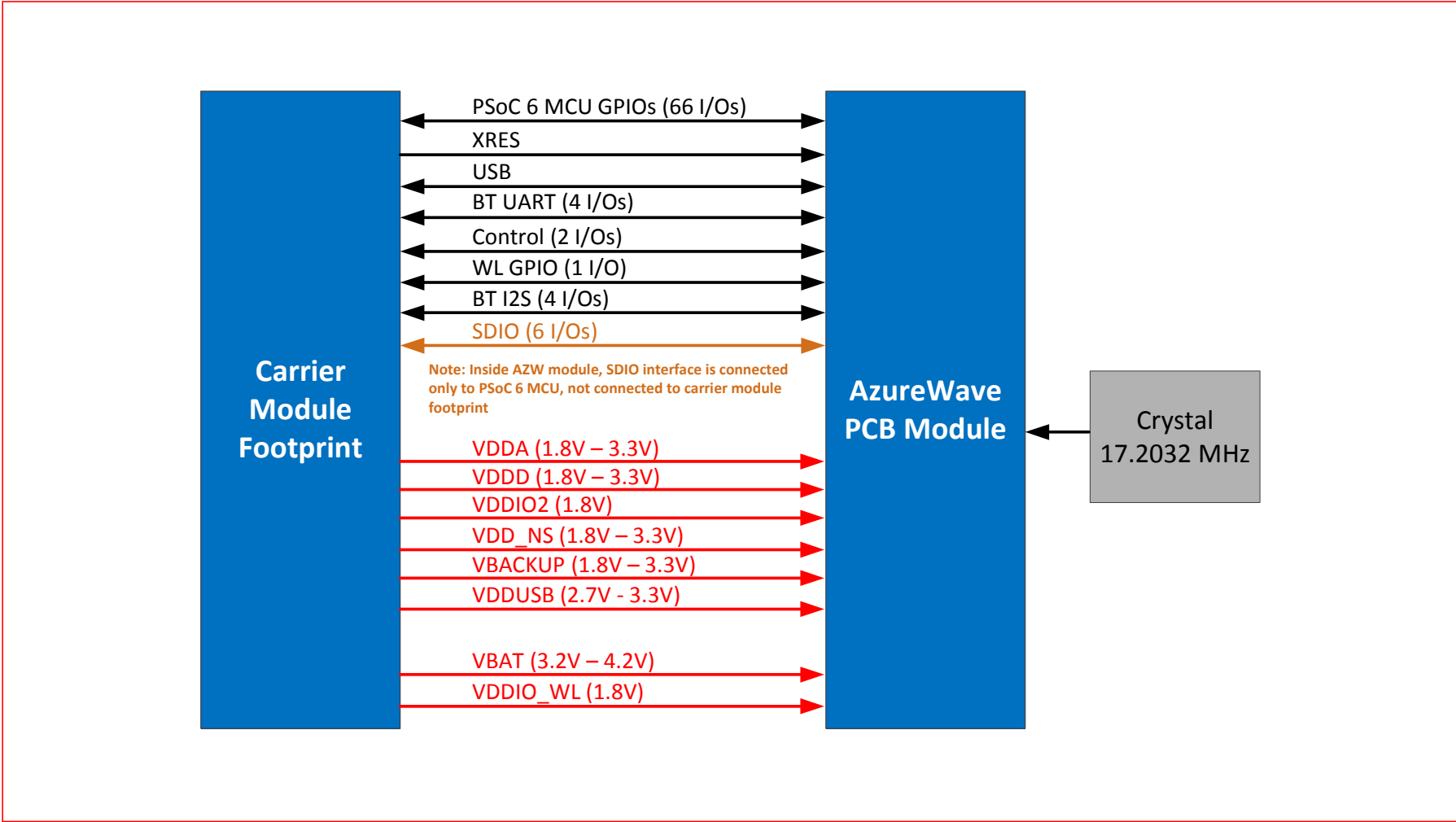
PSoC 6 (1M) with CYW43438 AzureWave PCB MOD Carrier Module

CONTENTS	
PAGE	DESCRIPTION
01	Title, Table of Contents & Drawing Numbers
02	Block Diagram
03	AzureWave Module Power and Signals
04	Carrier Module Power, PSoC 6 MCU & Wi-Fi BT signals
05	Revision History

Drawing Numbers	
PCBA	121-60560-01
PCB	600-60560-01
FAB DRW	610-60560-01
ASSY DRW	620-60560-01
SCH DRW	630-60560-01

 CYPRESS <small>EMBEDDED IN TOMORROW™</small>		CYPRESS SEMICONDUCTOR 198 CHAMPION COURT SAN JOSE, CA 95134 (408) 943-2600		
CYPRESS SEMICONDUCTOR © 2019				
SCH Title : PSoC 6 (1M) with CYW43438 AZW MOD Carr. Mod.				
Page Title : Title Page				
Size A4	Document Number 630-60560-01	Drawn By AARA	Approved By RKAD	Rev 01
Date: Thursday, October 24, 2019			Sheet	1 of 5

Block Diagram



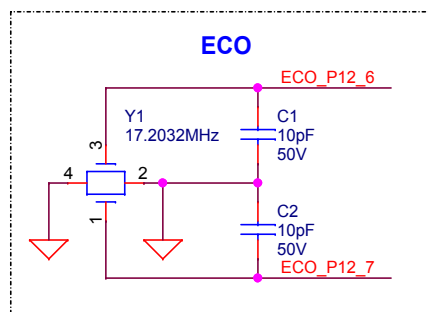
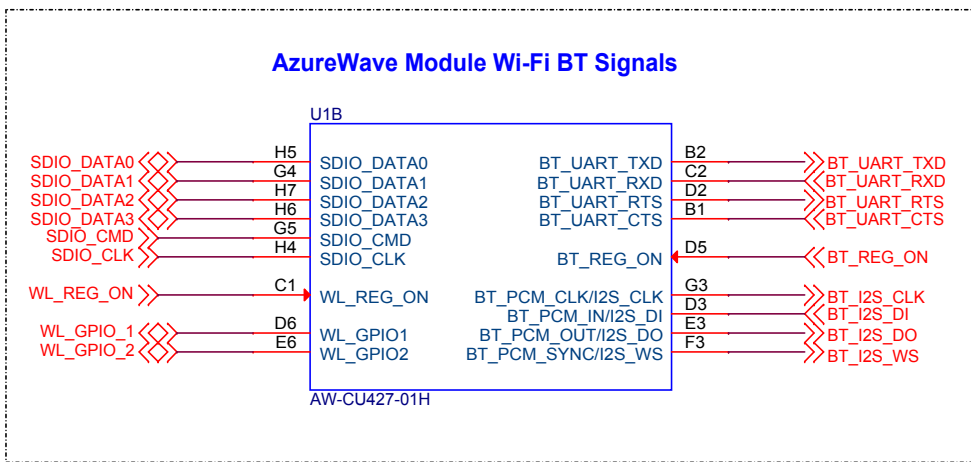
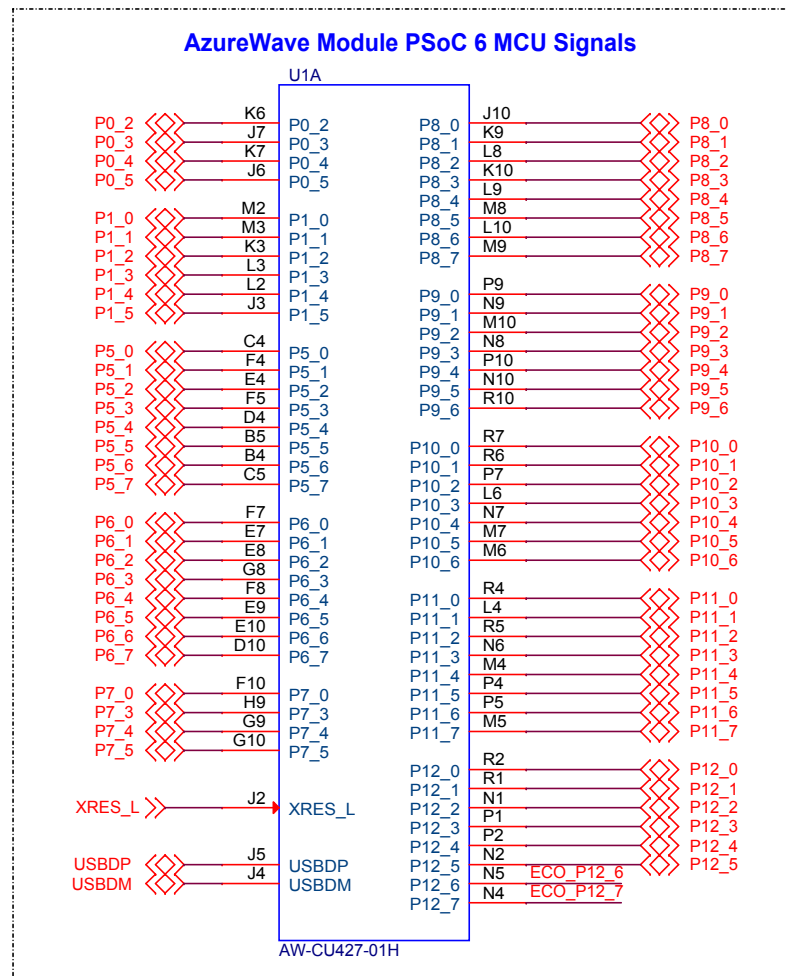
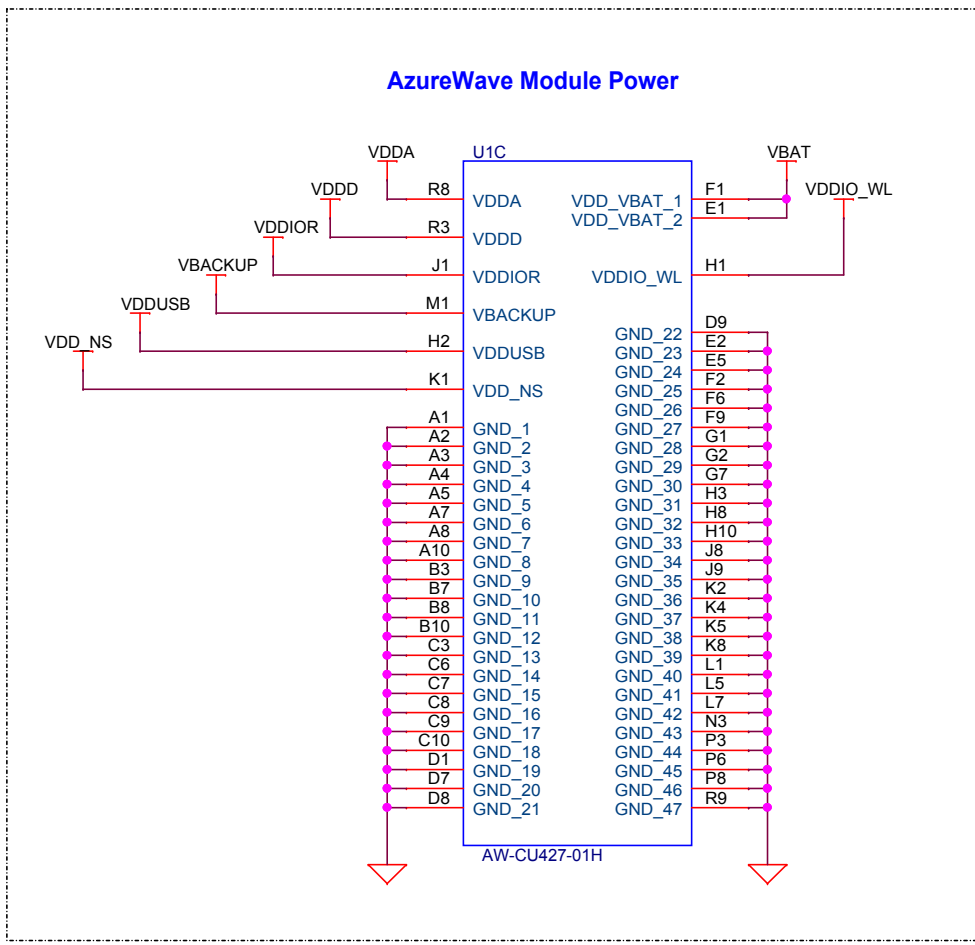
CYPRESS SEMICONDUCTOR
 198 CHAMPION COURT
 SAN JOSE, CA 95134
 (408) 943-2600

CYPRESS SEMICONDUCTOR © 2019

SCH Title : PSoC 6 (1M) with CYW43438 AZW MOD Carr. Mod.

Page Title : Block Diagram

Size A4	Document Number 630-60560-01	Drawn By AARA	Approved By RKAD	Rev 01
Date:	Thursday, October 24, 2019		Sheet	2 of 5



CYPRESS
EMBEDDED IN TOMORROW™

CYPRESS SEMICONDUCTOR
198 CHAMPION COURT
SAN JOSE, CA 95134
(408) 943-2600

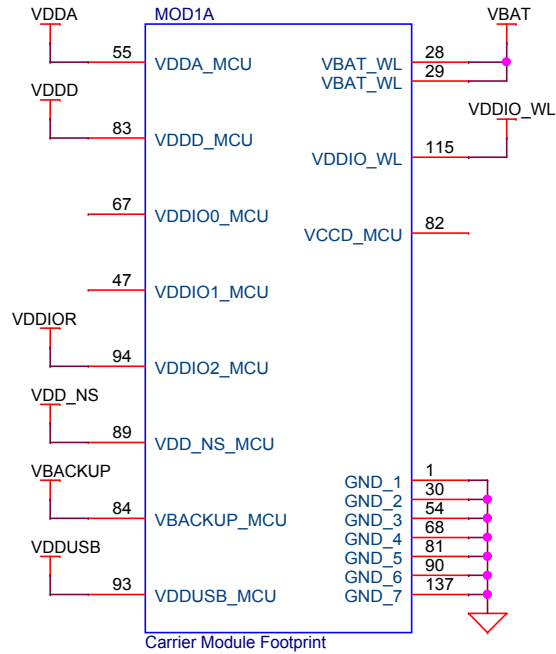
CYPRESS SEMICONDUCTOR © 2019

SCH Title : PSoc 6 (1M) with CYW43438 AZW MOD Carr. Mod.

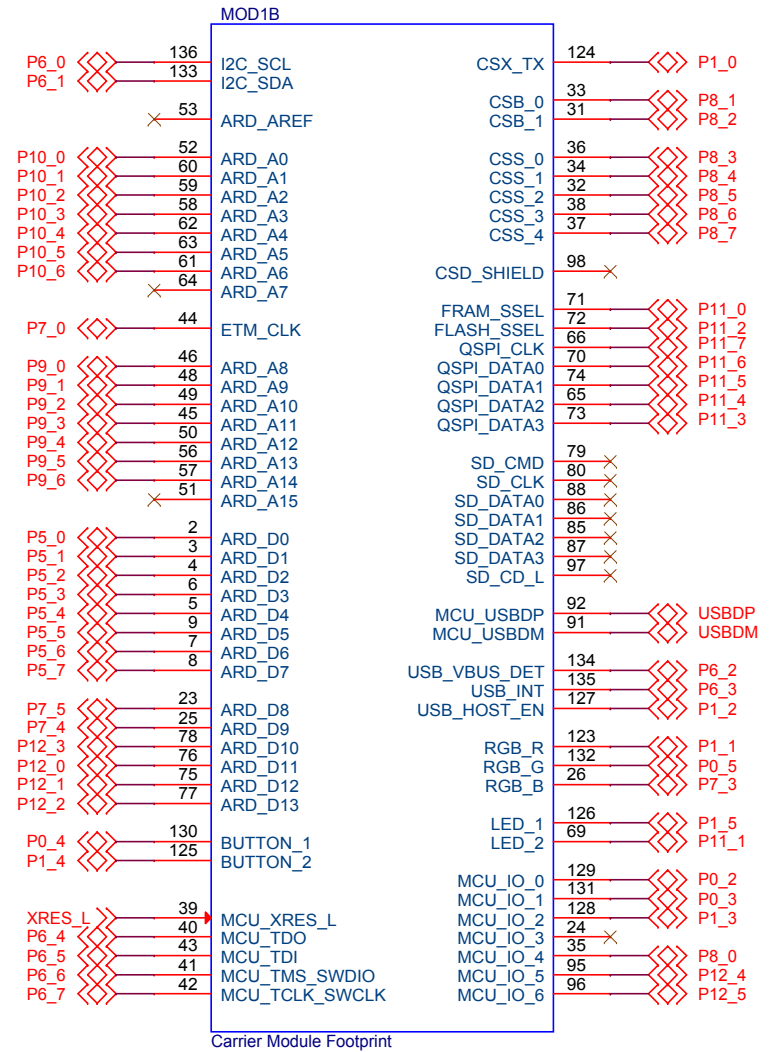
Page Title : AZW Module Power and Signals

Size A4	Document Number 630-60560-01	Drawn By AARA	Approved By RKAD	Rev 01
Date: Thursday, October 24, 2019		Sheet 3 of 5		

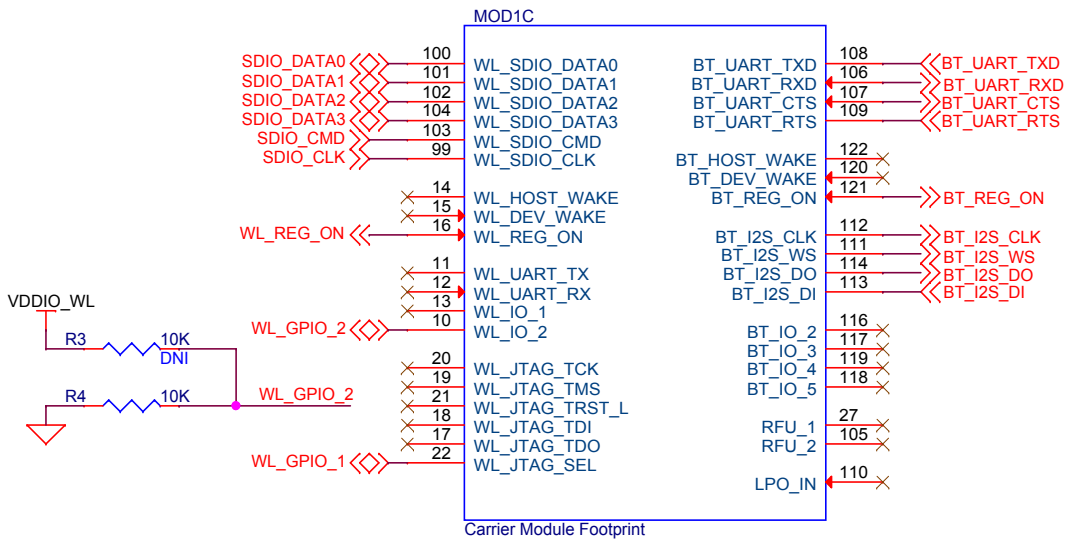
Carrier Module Power



Carrier Module PSoC 6 MCU Signals



Carrier Module Wi-Fi BT Signals



CYPRESS
EMBEDDED IN TOMORROW™

CYPRESS SEMICONDUCTOR
198 CHAMPION COURT
SAN JOSE, CA 95134
(408) 943-2600

CYPRESS SEMICONDUCTOR © 2019				
SCH Title : PSoC 6 (1M) with CYW43438 AZW MOD Carr. Mod.				
Page Title : Carrier Module Power, PSoC 6 MCU & Wi-Fi BT signals				
Size A4	Document Number 630-60560-01	Drawn By AARA	Approved By RKAD	Rev 01
Date:	Thursday, October 24, 2019		Sheet	4 of 5

