

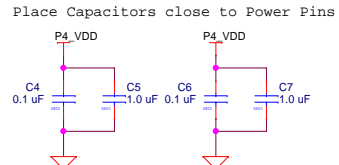
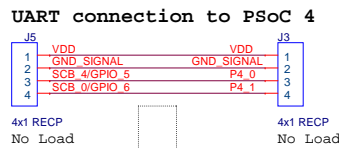
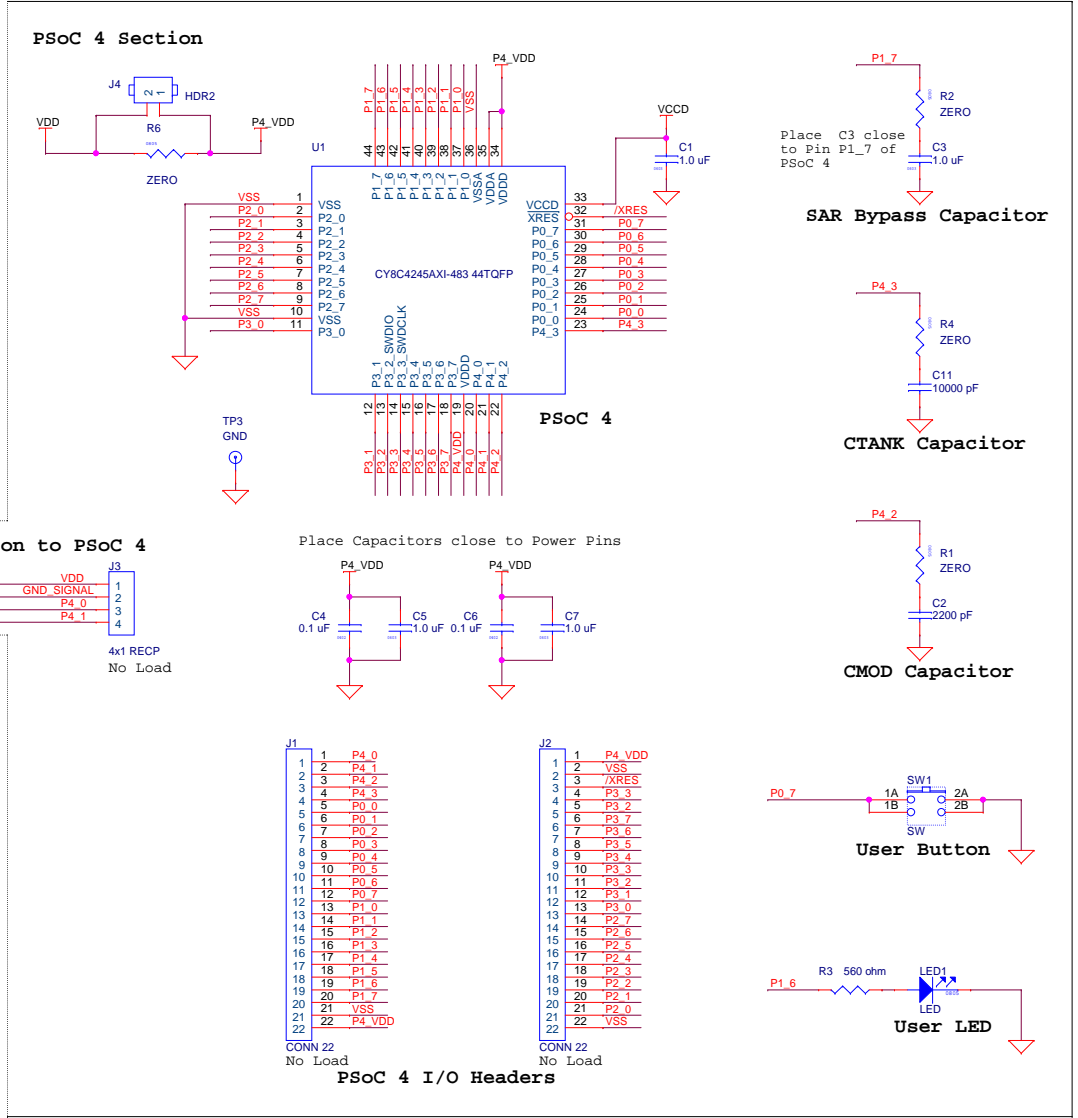
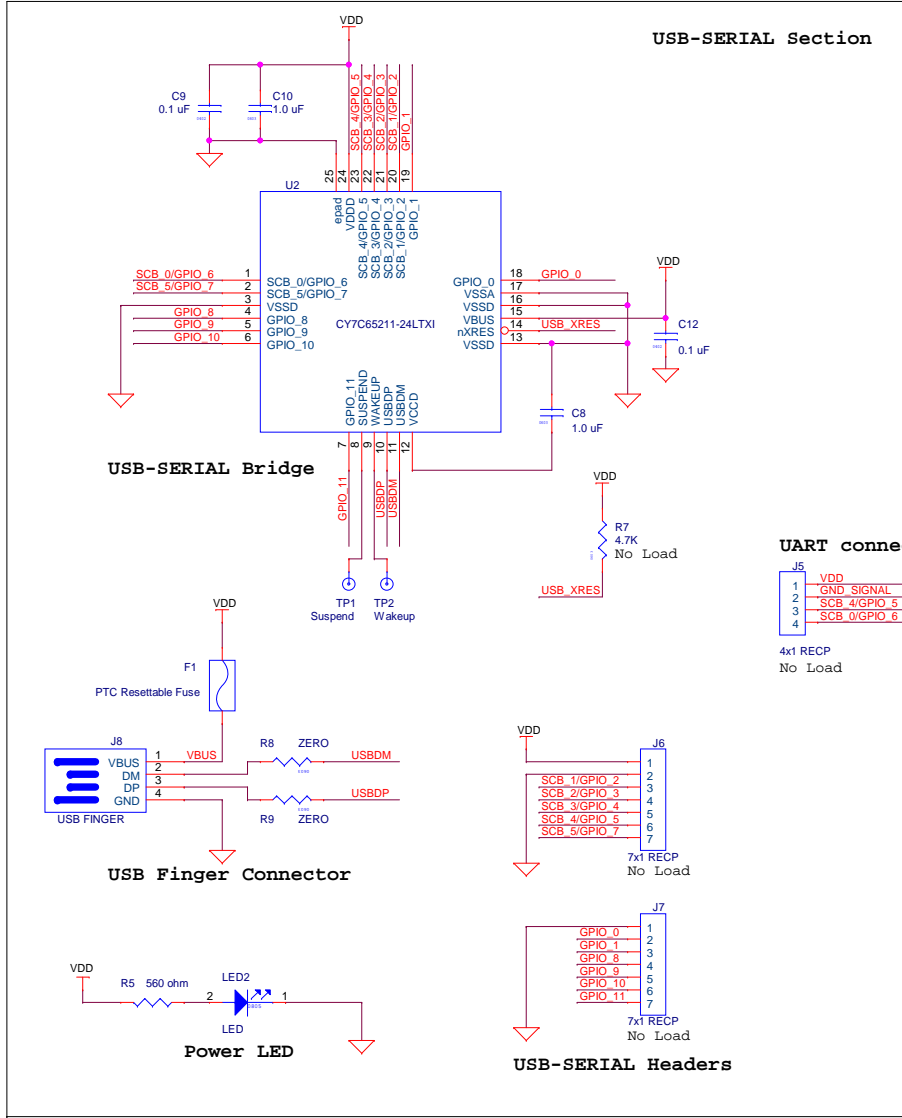
CYPRESS SEMICONDUCTOR © 2013

Title
CY8CKIT-049-42xx PSoC 4 Prototyping Kit

Size Document Number
630-60174-01

Rev
04

Date: Wednesday, January 22, 2014 Sheet 1 of 1



PCA: 121-60140-01
 PCB: 600-60178-01
 FAB DRW: 610-60171-01
 ASSY DRW: 620-60177-01

CYPRESS SEMICONDUCTOR © 2013			
Title CY8CKIT-049-42xx PSoc 4 Prototyping Kit			
Size	Document Number	Rev	
	630-60174-01	04	
Date:	Wednesday, January 22, 2014	Sheet	1 of 1