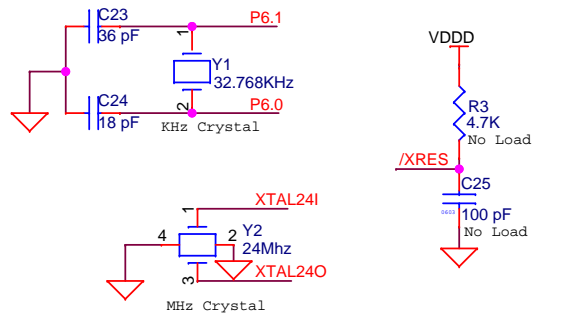
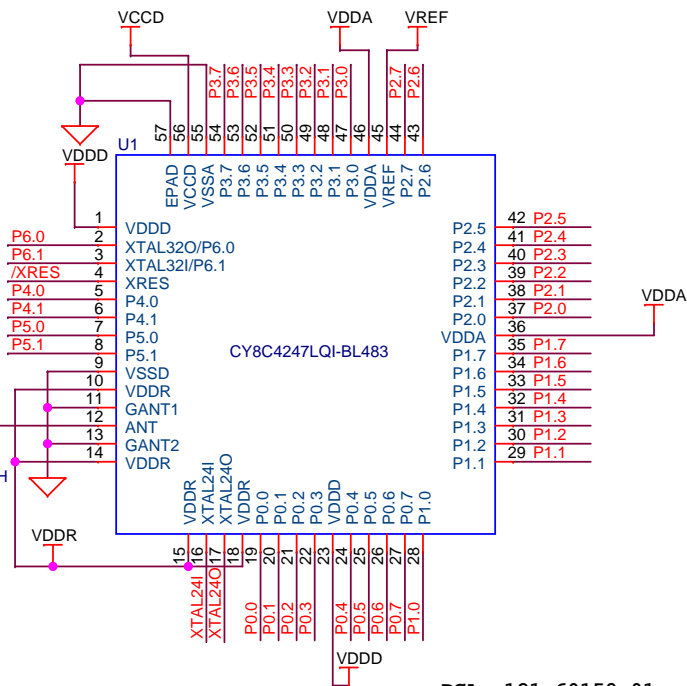
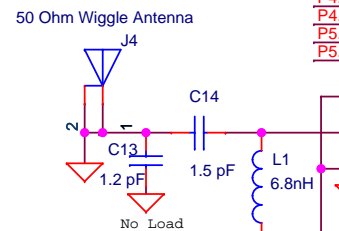
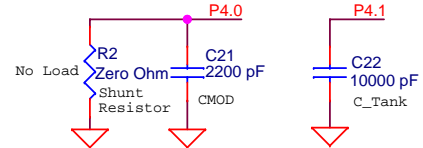
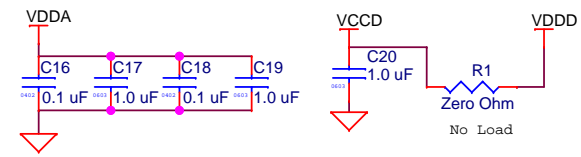
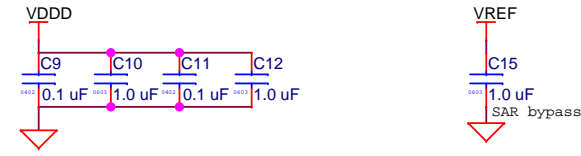
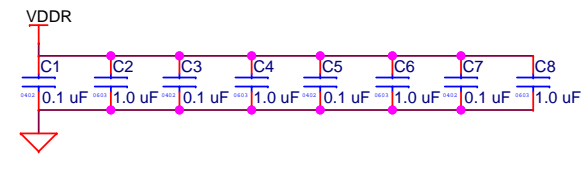
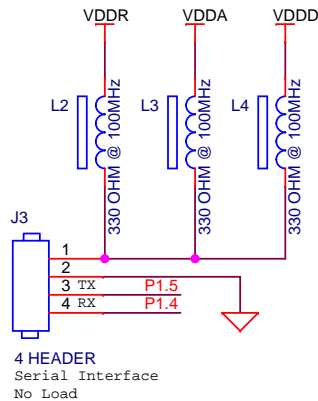
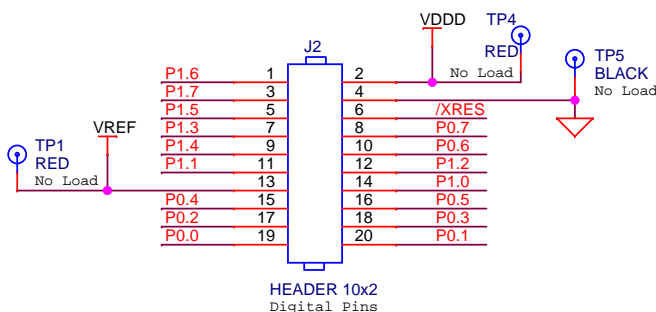
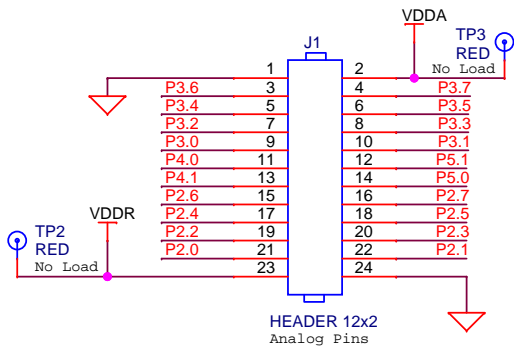


PCA: 121-60159-01  
 PCB: 600-60195-01  
 FAB DRW: 610-60187-01  
 ASSY DRW: 620-60195-01

<b>CYPRESS SEMICONDUCTOR © 2014</b>		
Title		
<b>CY8CKIT-142 PSoc 4 BLE Module</b>		
Size	Document Number	Rev
A	<b>630-60191-01</b>	04
Date:	Tuesday, September 30, 2014	Sheet 1 of 2



PCA: 121-60159-01  
 PCB: 600-60195-01  
 FAB DRW: 610-60187-01  
 ASSY DRW: 620-60195-01

CYPRESS SEMICONDUCTOR © 2014		
Title		
CY8CKIT-142 PSoC 4 BLE Module		
Size	Document Number	Rev
A4	630-60191-01	04
Date:	Tuesday, September 30, 2014	Sheet 2 of 2