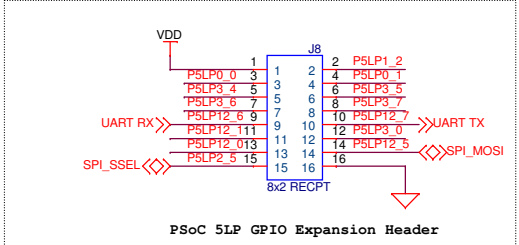
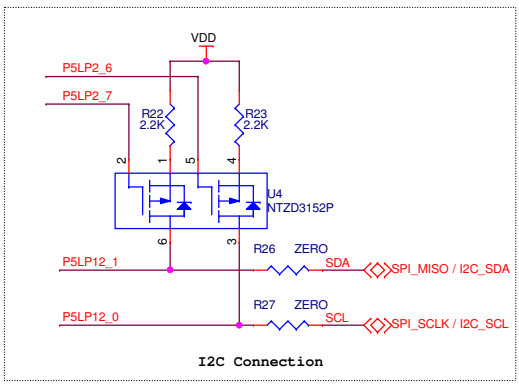
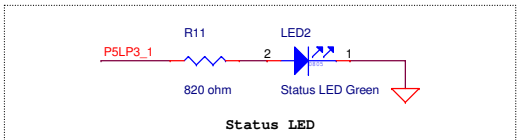
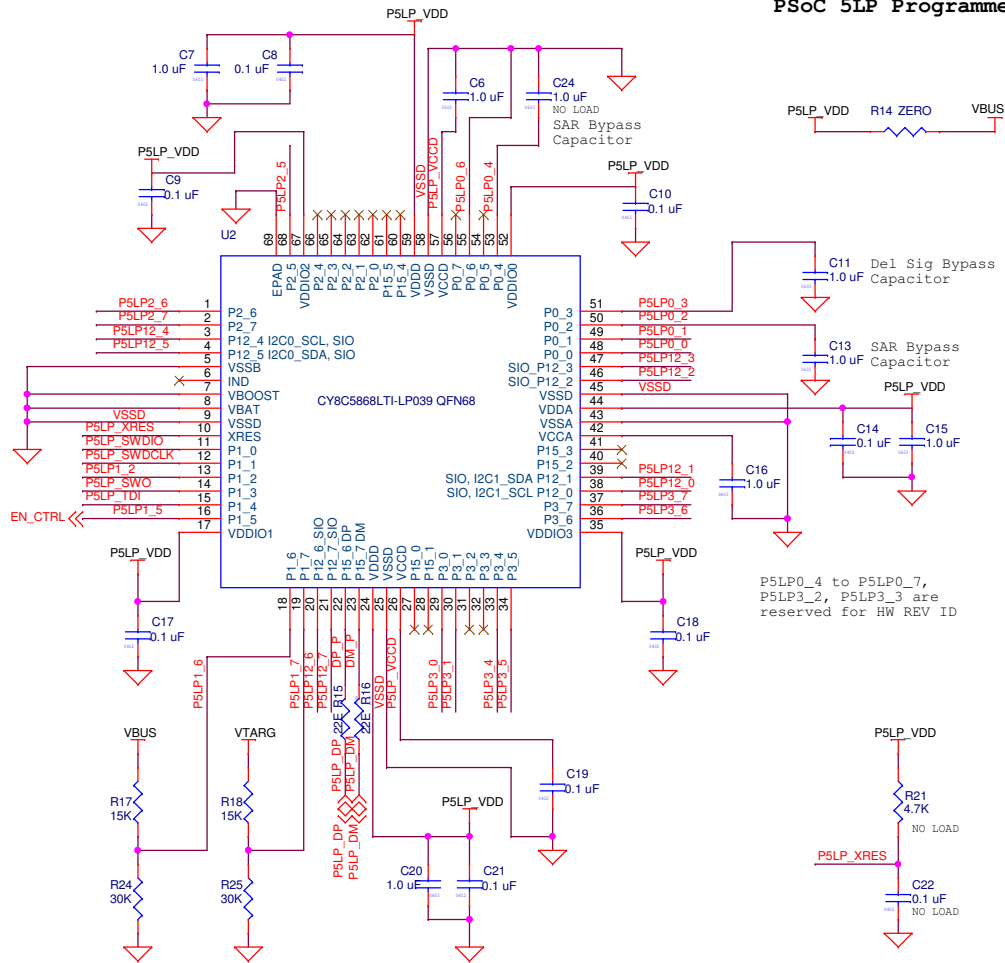


PCA: 121-60158-01
 PCB: 600-60194-01
 FAB DRW: 610-60186-01
 ASSY DRW: 620-60194-01

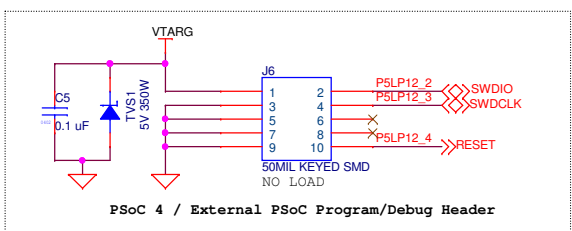
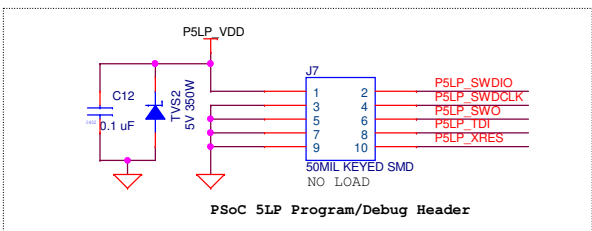
| | | |
|--|-----------------------------|--------------|
| CYPRESS SEMICONDUCTOR © 2014 | | |
| Title | | |
| CY8CKIT-042-BLE Pioneer Baseboard | | |
| Size | Document Number | Rev |
| A | 630-60190-01 | 06 |
| Date: | Saturday, December 20, 2014 | Sheet 1 of 4 |

PSoc 5LP Programmer / Debugger



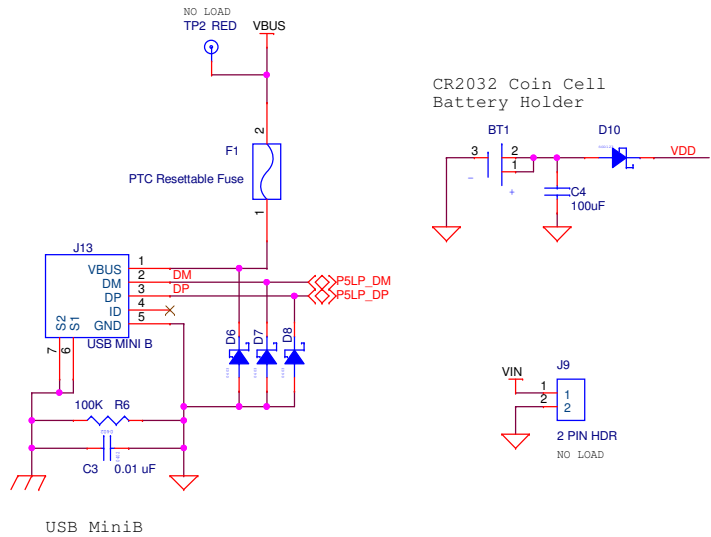
USB-Serial Bridge Connections

| | | |
|----------|-------|--------------------|
| P5LP12_6 | ----- | UART RX |
| P5LP12_7 | ----- | UART TX |
| P5LP12_0 | ----- | SPI SCLK / I2C SCL |
| P5LP12_1 | ----- | SPI MISO / I2C SDA |
| P5LP12_5 | ----- | SPI MOSI |
| P5LP2_5 | ----- | SPI SSEL |



PCA: 121-60158-01
 PCB: 600-60194-01
 FAB DRW: 610-60186-01
 ASSY DRW: 620-60194-01

| CYPRESS SEMICONDUCTOR © 2014 | | |
|---|--|------------------|
| Title CY8CKIT-042-BLE Pioneer Baseboard | | |
| Size B | Document Number 630-60190-01 | Rev 06 |
| Date: Wednesday, November 19, 2014 | Sheet 2 | of 4 |



CR2032 Coin Cell
Battery Holder

USB MiniB

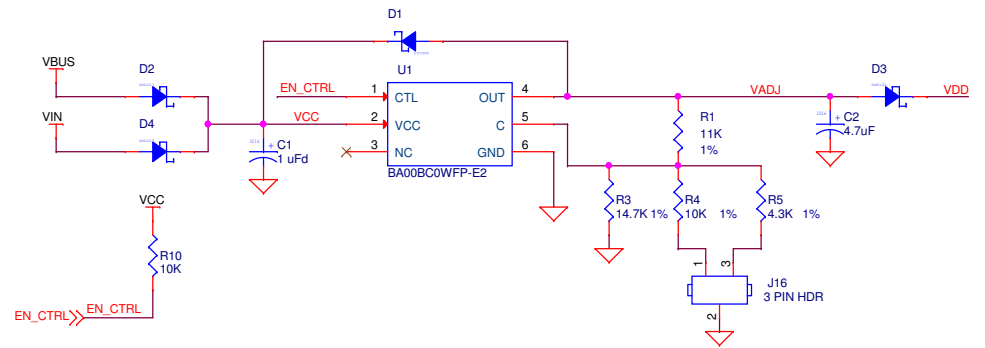
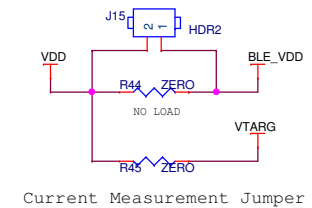
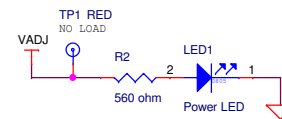
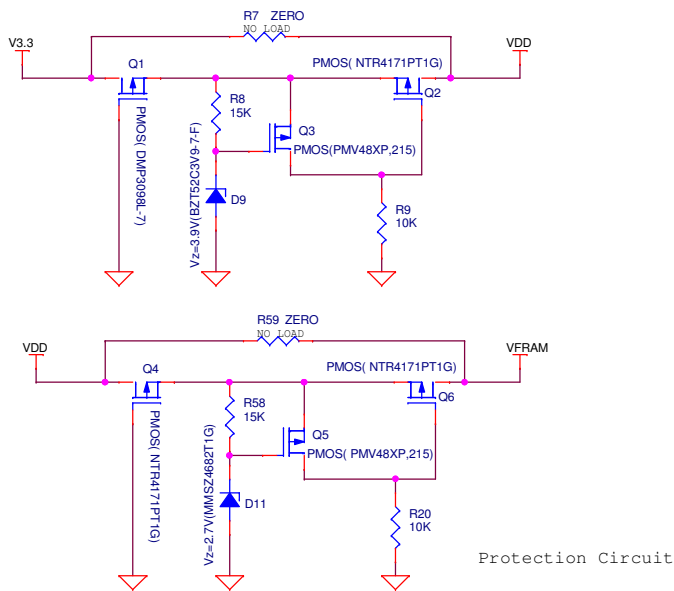
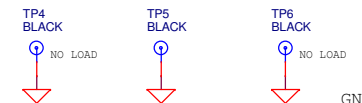


TABLE: LDO PIN FUNCTIONS

| Pin No. | Symbol | Function |
|---------|--------|------------------------------------|
| 1 | CTL | Output Voltage ON / OFF control |
| 2 | VCC | Power supply voltage input |
| 3 | N.C. | Unconnected terminal |
| 4 | OUT | Voltage output |
| 5 | C | Output voltage regulation terminal |
| 6 | GND | Ground |

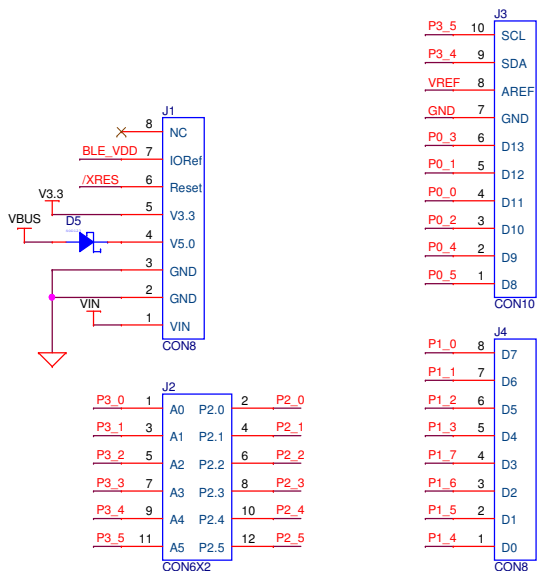
TABLE: VOLTAGE SELECTION JUMPER SETTINGS

| JUMPER SETTING | O/P VOLTAGE |
|----------------|-------------|
| SHORT 2 & 3 | 5V |
| SHORT 1 & 2 | 3.3V |
| REMOVE JUMPER | 1.9V |

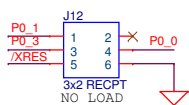


PCA: 121-60158-01
PCB: 600-60194-01
FAB DRW: 610-60186-01
ASSY DRW: 620-60194-01

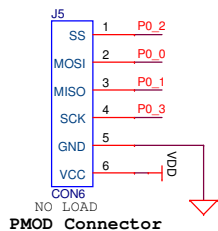
| CYPRESS SEMICONDUCTOR © 2014 | | |
|---|--|------------------|
| Title CY8CKIT-042-BLE Pioneer Baseboard | | |
| Size B | Document Number 630-60190-01 | Rev 06 |
| Date: Saturday, December 20, 2014 | Sheet 3 | of 4 |



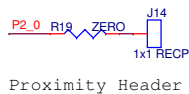
(J1- J4) Arduino Connectors



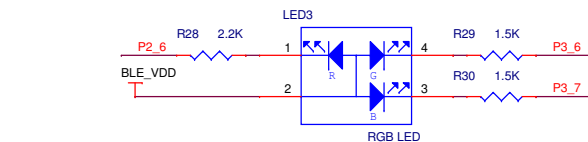
J12 Arduino ICSP compatible header for SPI Interface



PMOD Connector



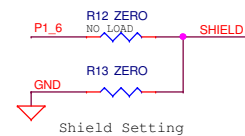
Proximity Header



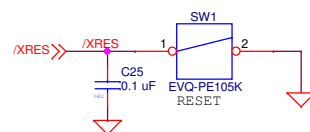
RGB LED



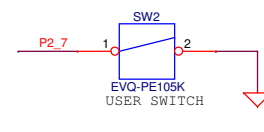
CapSense Slider 5 Seg



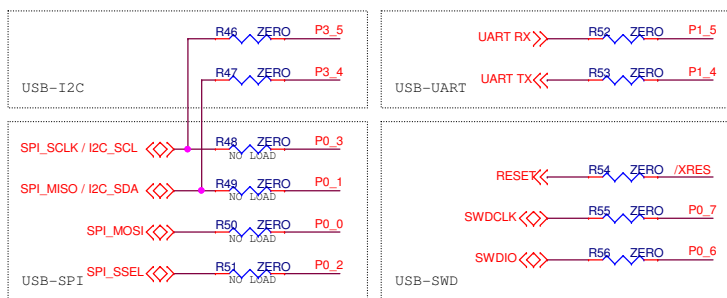
Shield Setting



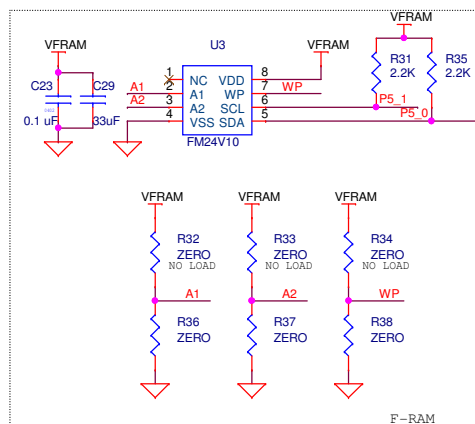
RESET



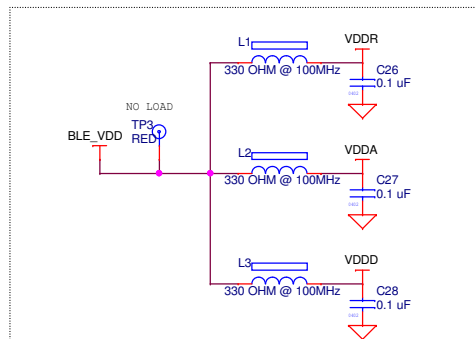
USER SWITCH



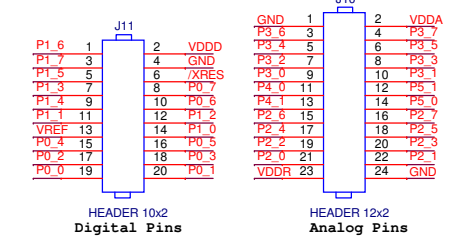
PSoc 5LP and PSoc 4 BLE/ProC BLE Connections



F-RAM



TP3 RED



PSoc 4 BLE/ProC BLE I/O Headers

PCA: 121-60158-01
PCB: 600-60194-01
FAB DRW: 610-60186-01
ASSY DRW: 620-60194-01

| CYPRESS SEMICONDUCTOR © 2014 | | |
|---|--|------------------|
| Title CY8CKIT-042-BLE Pioneer Baseboard | | |
| Size B | Document Number 630-60190-01 | Rev 06 |
| Date: Wednesday, November 19, 2014 | Sheet 4 | of 4 |