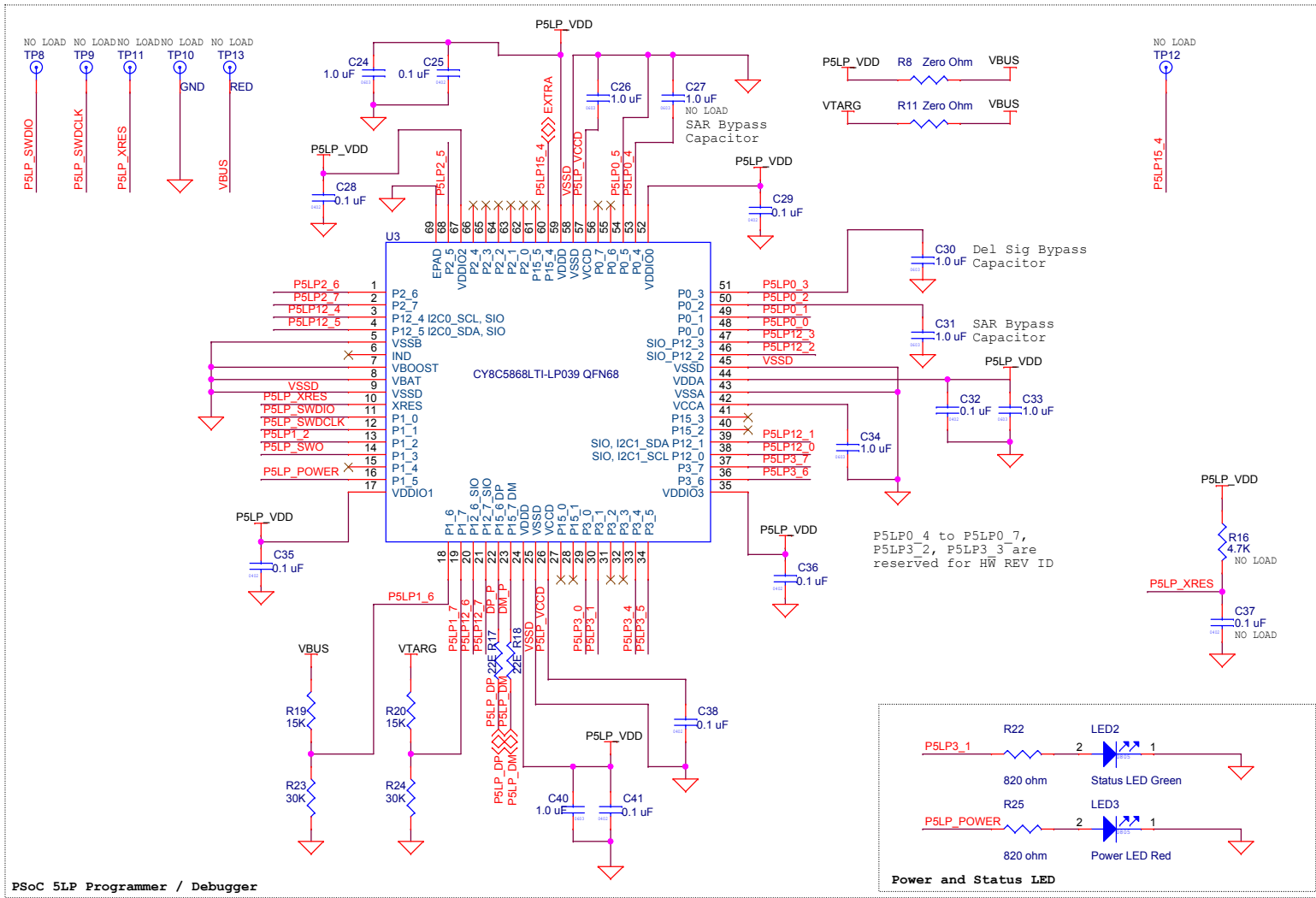
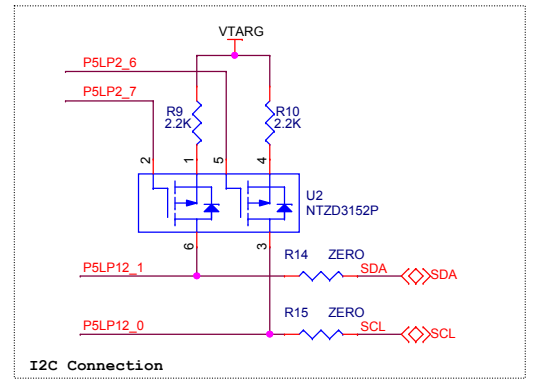


PCA: 121-60303-01  
 PCB: 600-60326-01  
 FAB DRW: 610-60300-01  
 ASSY DRW: 620-60308-01

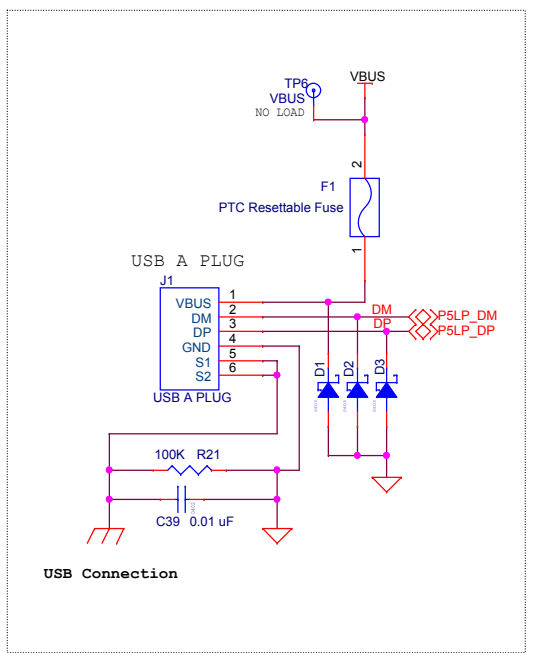
<b>CYPRESS SEMICONDUCTOR © 2016</b>		
Title <b>CY5677 CySmart BLE 4.2 USB Dongle</b>		
Size B	Document Number <b>630-60306-01</b>	Rev <b>02</b>
Date:	Thursday, October 26, 2017	Sheet 1 of 3



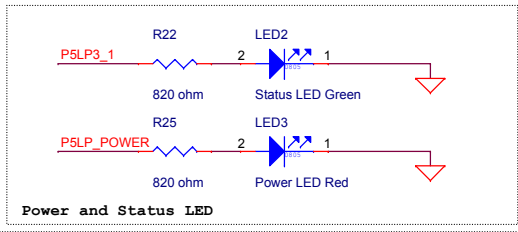
PSoc 5LP Programmer / Debugger



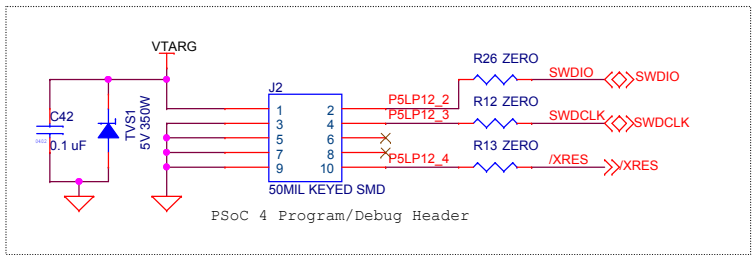
I2C Connection



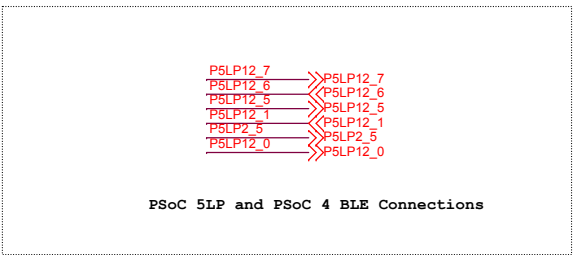
USB Connection



Power and Status LED



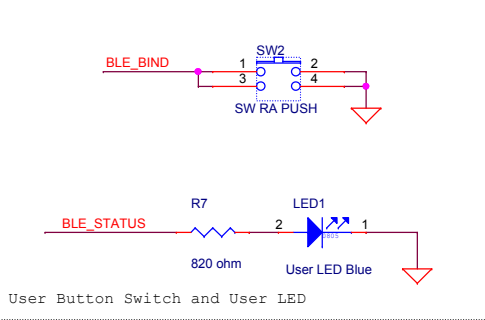
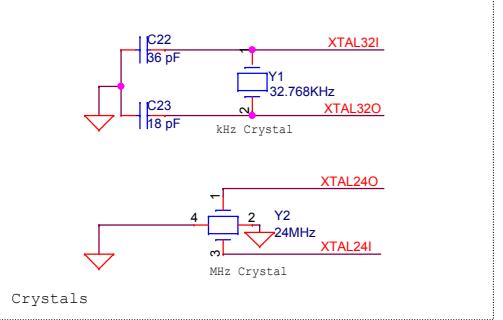
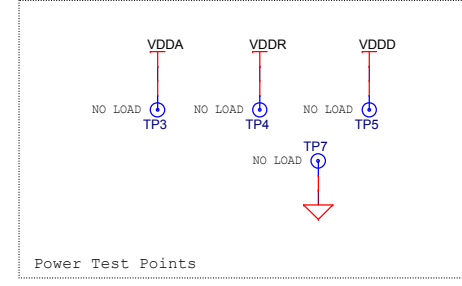
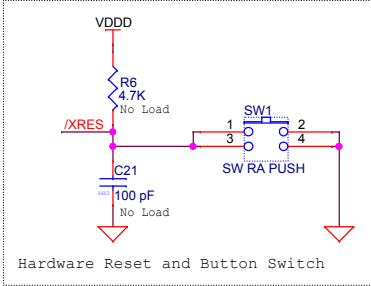
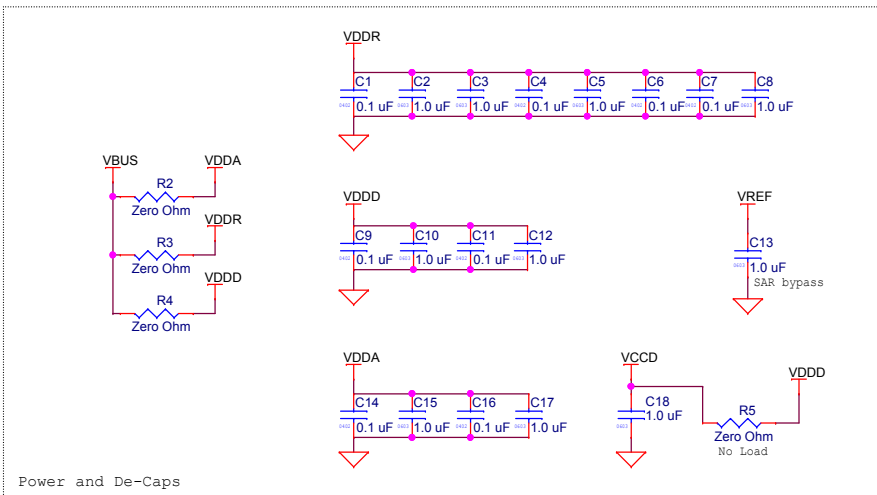
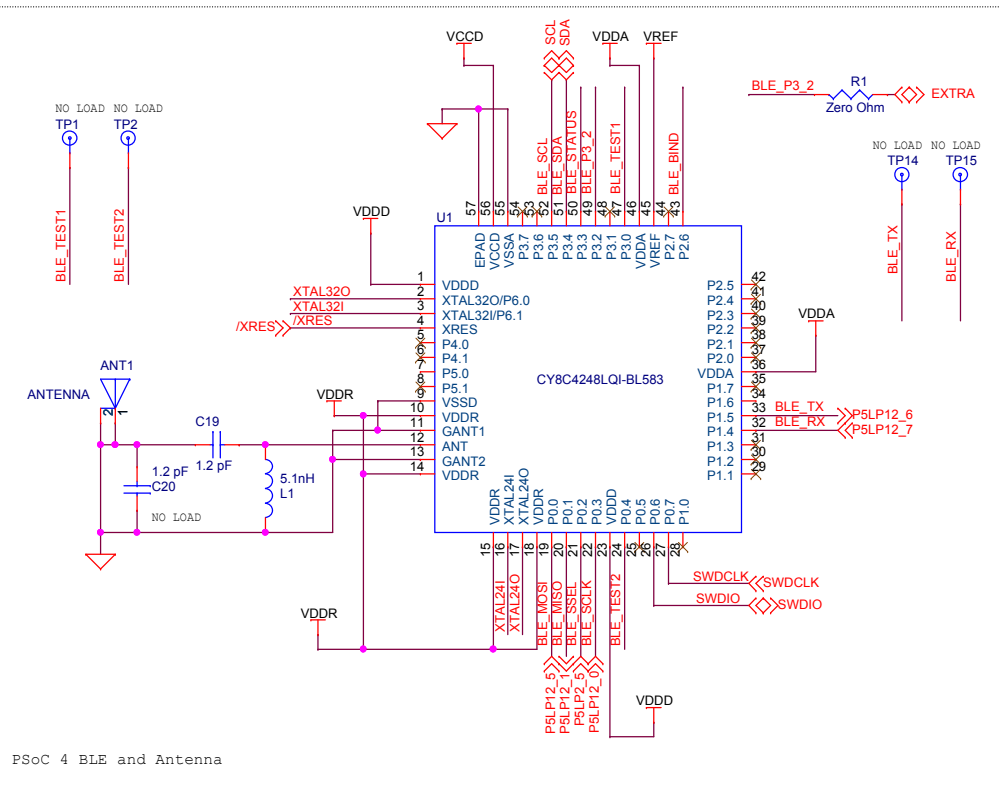
PSoc 4 Program/Debug Header



PSoc 5LP and PSoc 4 BLE Connections

PCA: 121-60303-01  
 PCB: 600-60326-01  
 FAB DRW: 610-60300-01  
 ASSY DRW: 620-60308-01

<b>CYPRESS SEMICONDUCTOR © 2016</b>		
Title <b>CY5677 CySmart BLE 4.2 USB Dongle</b>		
Size B	Document Number <b>630-60306-01</b>	Rev <b>02</b>
Date:	Thursday, October 26, 2017	Sheet 2 of 3



PCA: 121-60303-01  
 PCB: 600-60326-01  
 FAB DRW: 610-60300-01  
 ASSY DRW: 620-60308-01

CYPRESS SEMICONDUCTOR © 2016		
Title <b>CY5677 CySmart BLE 4.2 USB Dongle</b>		
Size B	Document Number <b>630-60306-01</b>	Rev <b>02</b>
Date:	Thursday, October 26, 2017	Sheet 3 of 3