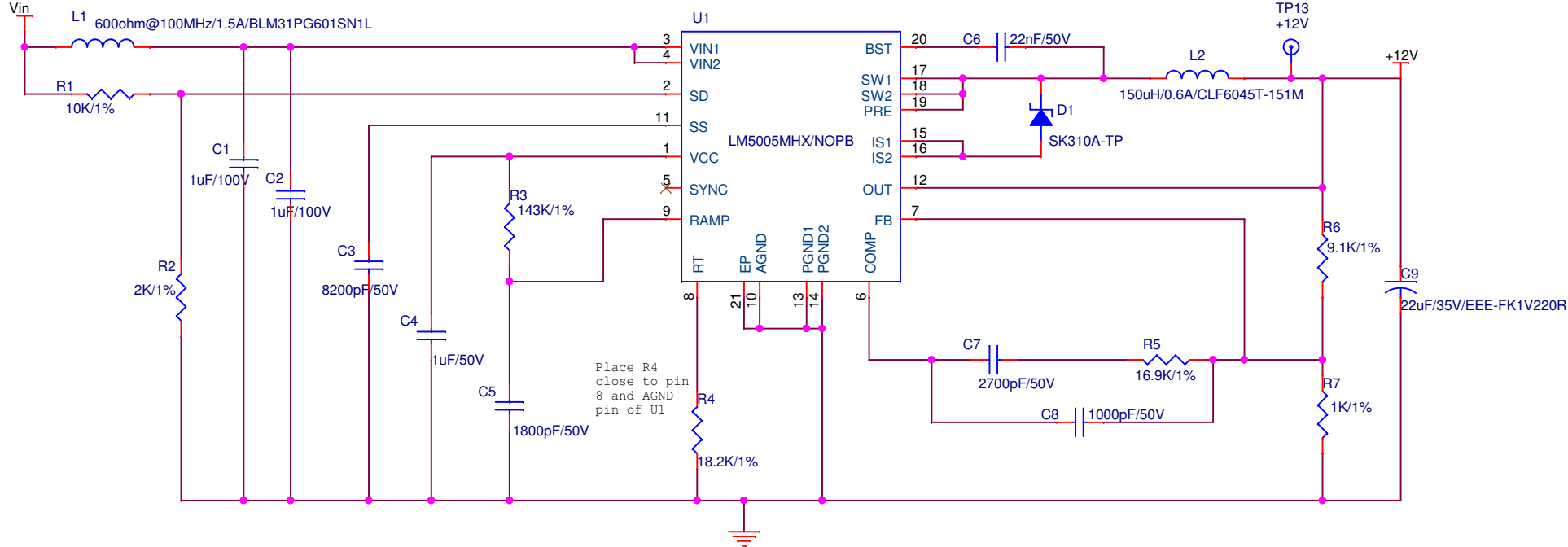


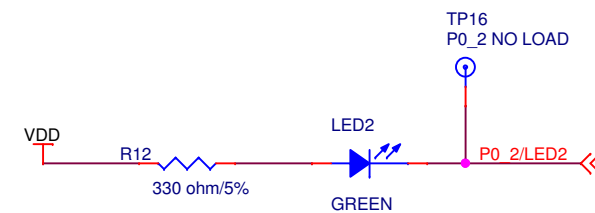
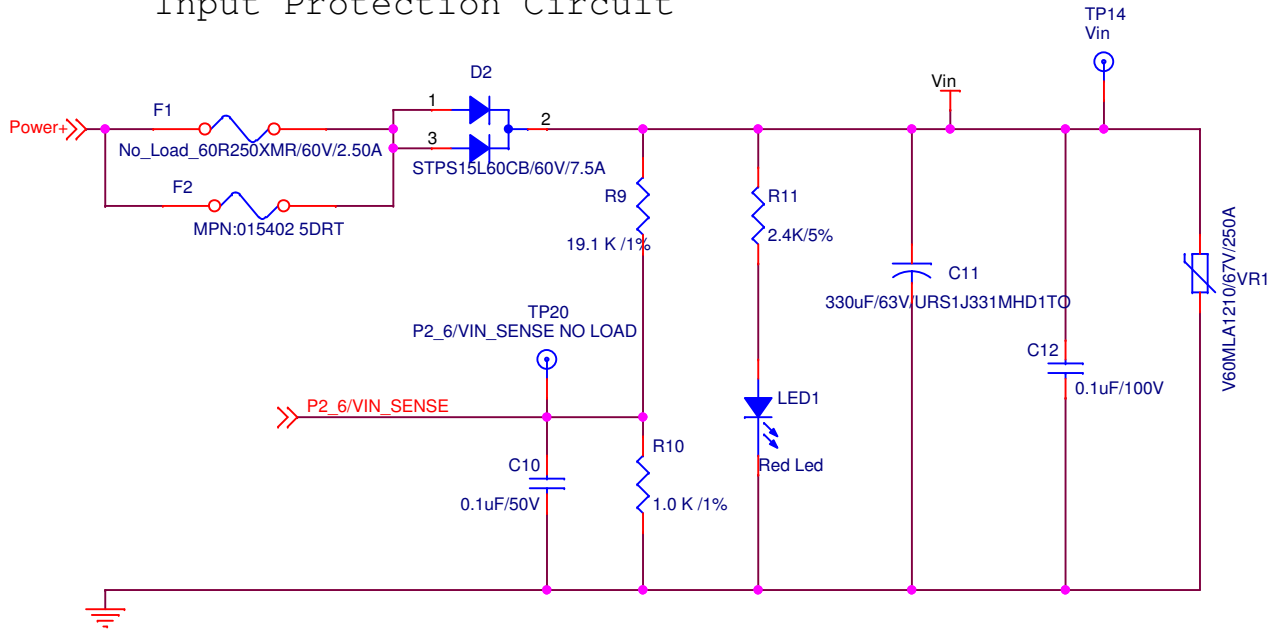
PCA: 121-60166-01
 PCB: 600-60202-01
 FAB DRW: 610-60194-01
 ASSY DRW: 620-60202-01

CYPRESS SEMICONDUCTOR © 2014		
Title CY8CKIT-037 MOTOR CONTROL EVK: Block Diagram		
Size A4	Document Number 630-60198-01	Rev 04
Date: Thursday, December 18, 2014	Sheet 1	of 8

+12V Power Supply



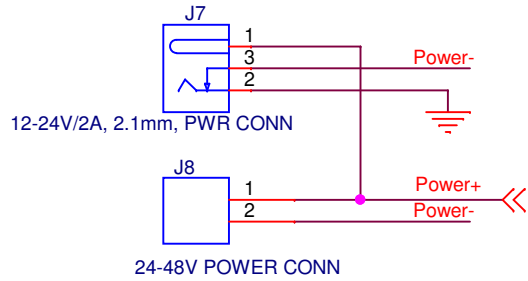
Input Protection Circuit



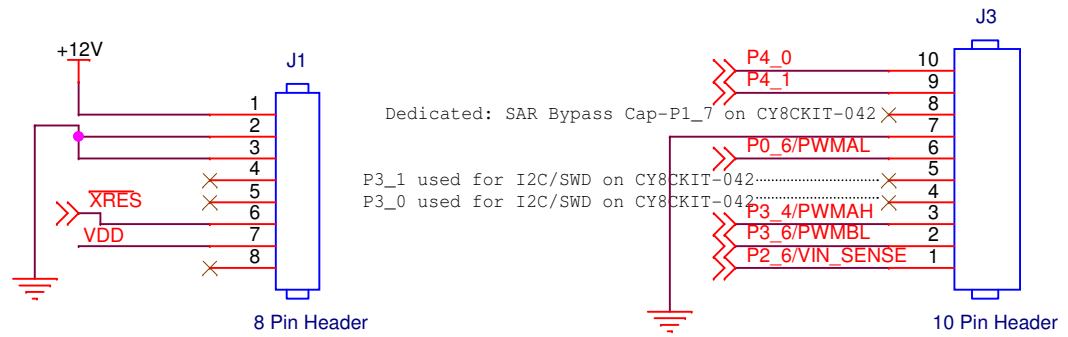
PCA: 121-60166-01
 PCB: 600-60202-01
 FAB DRW: 610-60194-01
 ASSY DRW: 620-60202-01

CYPRESS SEMICONDUCTOR © 2014		
Title CY8CKIT-037 MOTOR CONTROL EVK: Power Supply		
Size A4	Document Number 630-60198-01	Rev 04
Date: Thursday, December 18, 2014	Sheet 2	of 8

Input Power Supply Connectors

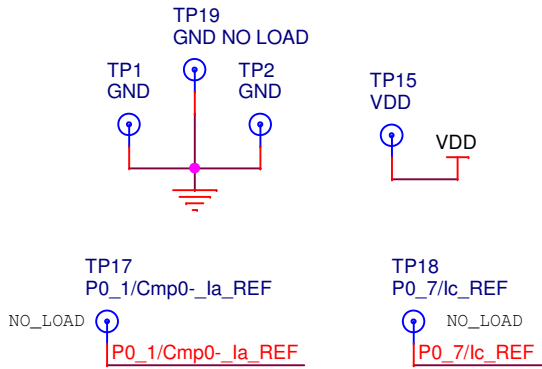
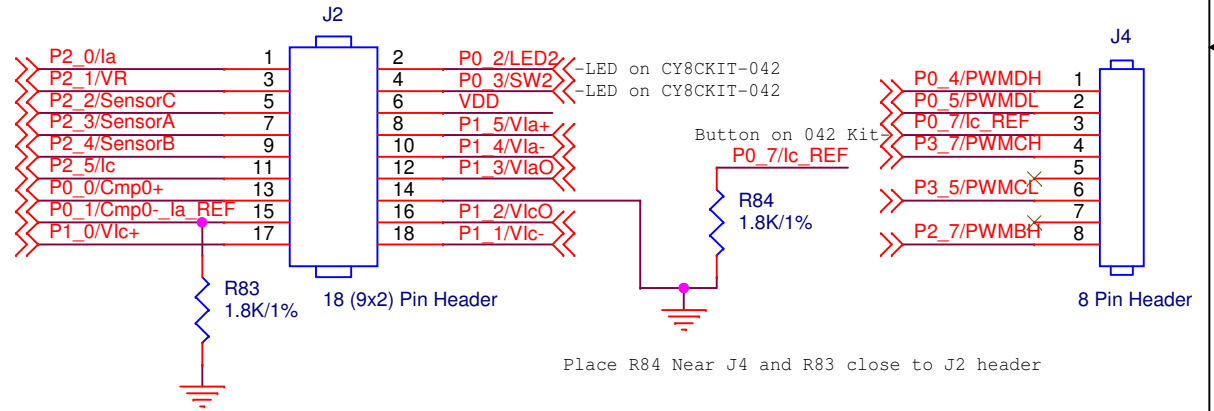
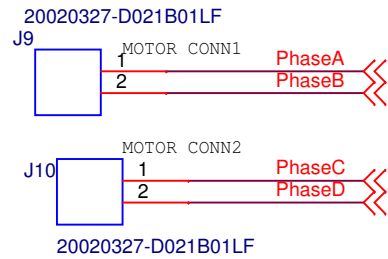


Connectors to CY8CKIT-042 Kit



Motor Winding Connectors

POS	BLDC MOTOR WINDING COLOUR
1A/A/PhaseA	RED
2A/B/PhaseB	YELLOW
1B/C/PhaseC	BLACK
2B/PhaseD	NO CONNECT

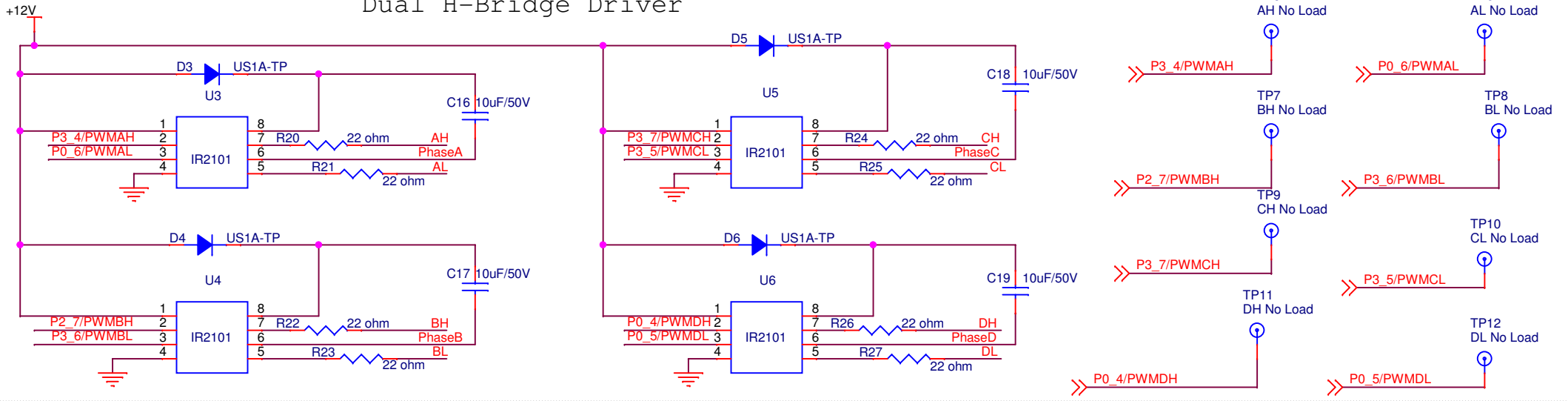


Test Points

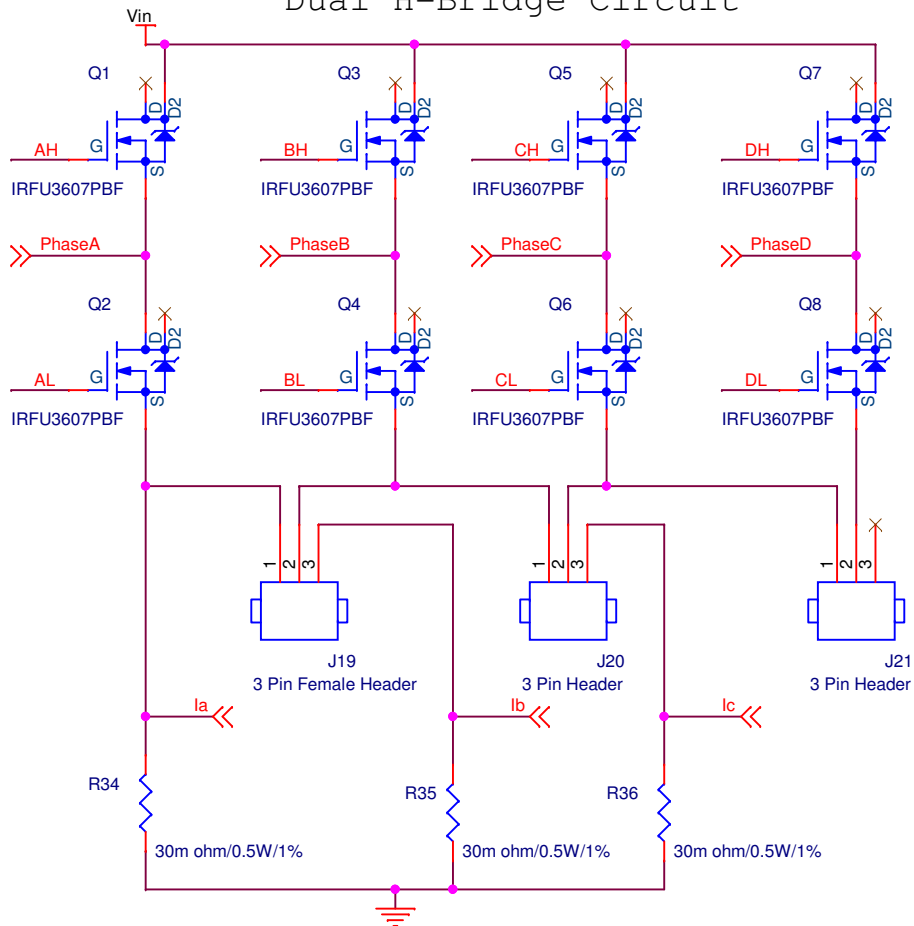
PCA: 121-60166-01
 PCB: 600-60202-01
 FAB DRW: 610-60194-01
 ASSY DRW: 620-60202-01

CYPRESS SEMICONDUCTOR © 2014		
Title Motor Power Supply & Windings Connections		
Size A	Document Number 630-60198-01	Rev 04
Date:	Thursday, December 18, 2014	Sheet 3 of 8

Dual H-Bridge Driver



Dual H-Bridge Circuit

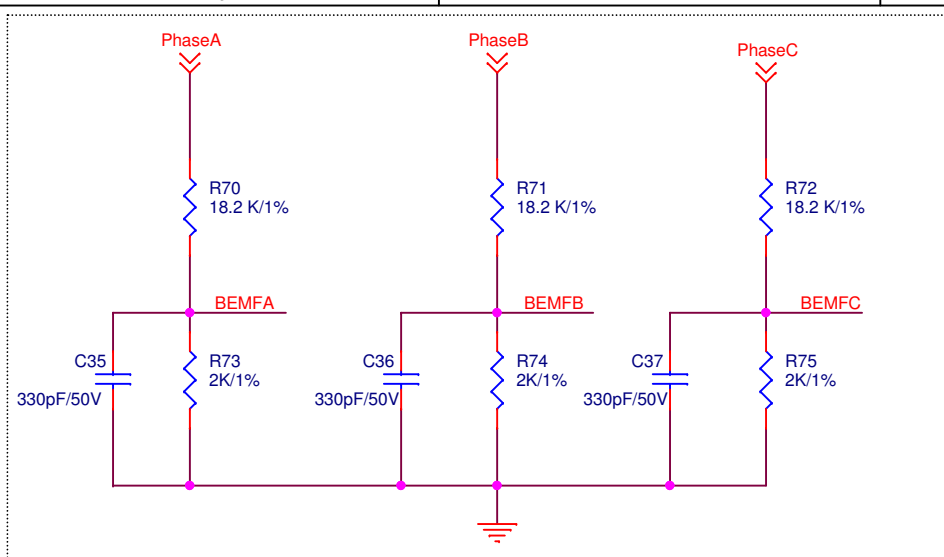


MOTOR TYPE/JUMPER	J13	J14	J15	J16	J17	J18
HALL SENSOR BLDC	1-2	1-2	1-2	1-2	1-2	1-2
SENSORLESS BLDC	2-3	2-3	2-3	1-2	1-2	1-2
STEPPER	1-2	1-2	1-2	2-3	2-3	1-2
BLDC 1-SHUNT FOC	1-2	1-2	1-2	1-2	1-2	2-3
BDLC 2-SHUNT FOC	1-2	1-2	1-2	1-2	1-2	2-3

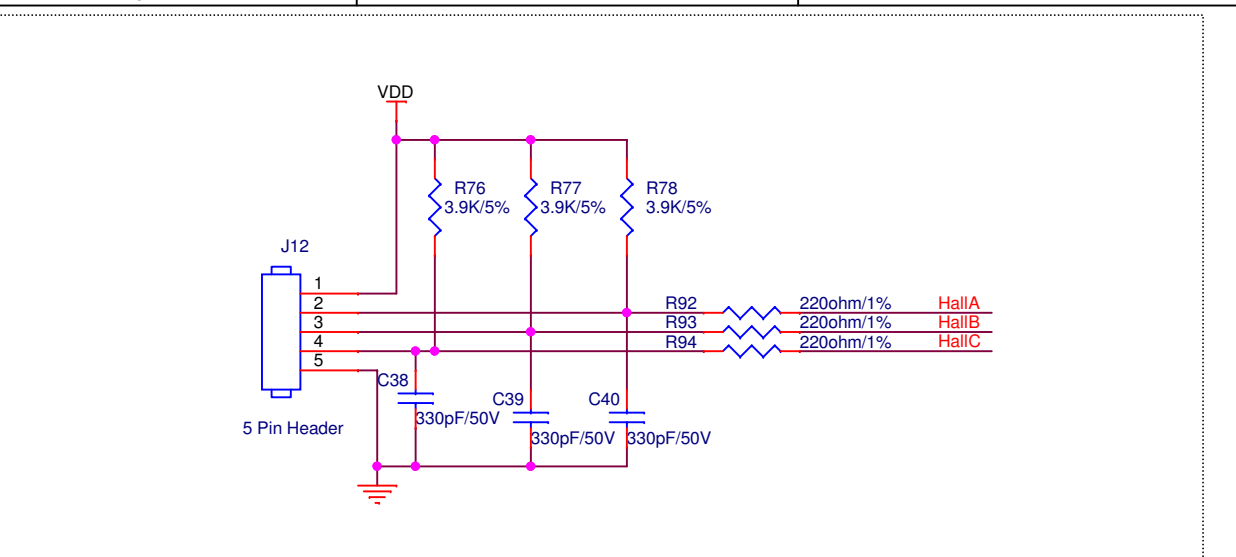
MOTOR TYPE/JUMPER	J19	J20	J21	J22	J23	J24
HALL SENSOR BLDC	1-2	1-2	2-3	1-2	2-3	1-2
SENSORLESS BLDC	1-2	1-2	2-3	2-3	2-3	1-2
STEPPER	1-2	2-3	1-2	1-2	2-3	2-3
BLDC 1-SHUNT FOC	1-2	1-2	2-3	1-2	1-2	1-2
BDLC 2-SHUNT FOC	2-3	2-3	2-3	1-2	1-2	1-2

PCA: 121-60166-01
 PCB: 600-60202-01
 FAB DRW: 610-60194-01
 ASSY DRW: 620-60202-01

CYPRESS SEMICONDUCTOR © 2014			
Title CY8CKIT-037 MOTOR CONTROL EVK: Dual H-Bridge Motor Driver			
Size A4	Document Number 630-60198-01		Rev 04
Date: Thursday, December 18, 2014	Sheet 4	of 8	

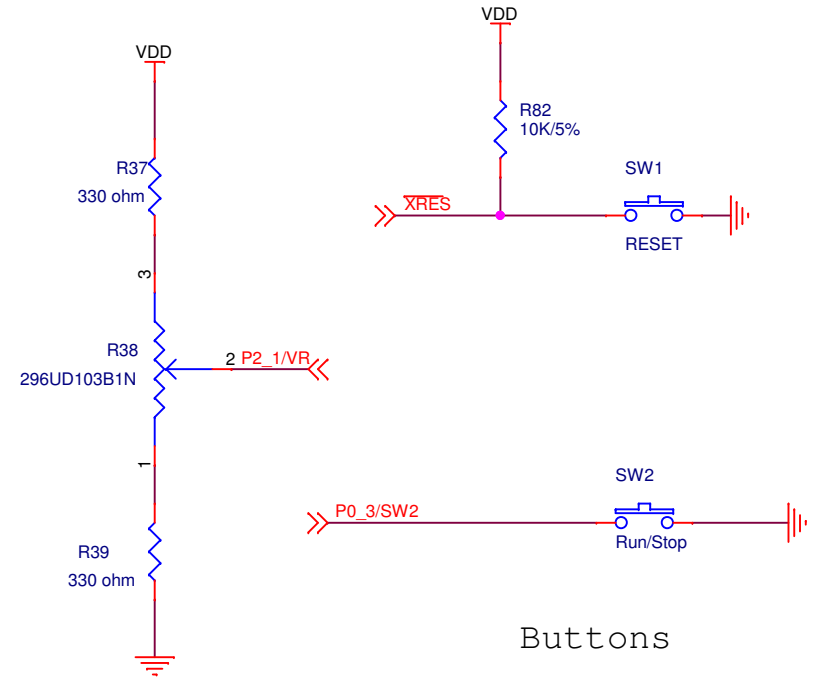


Sensorless BLDC BEMF Detecting

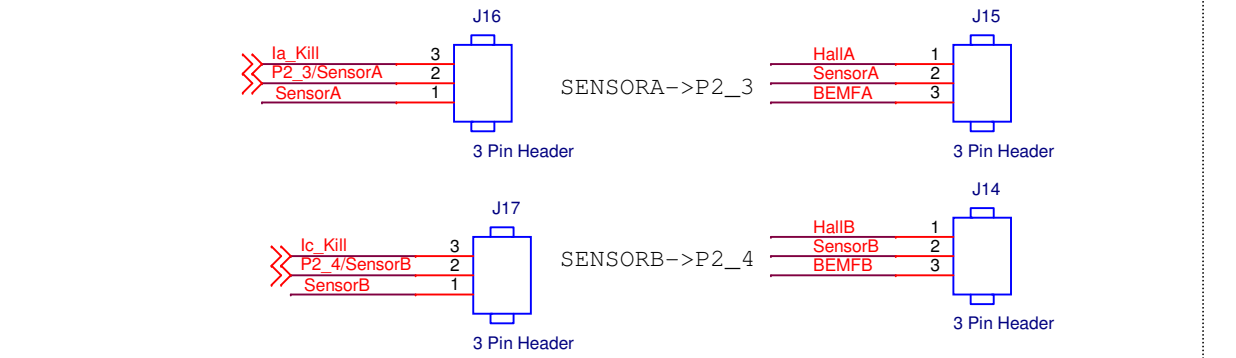


Hall Sensor Interface

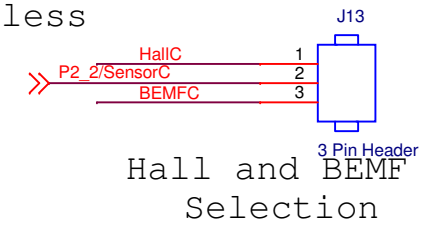
Potentiometer to Control Motor Speed



Buttons



Stepper Kill Signal and Sensorless BLDC BEMF Pins Multiplexing

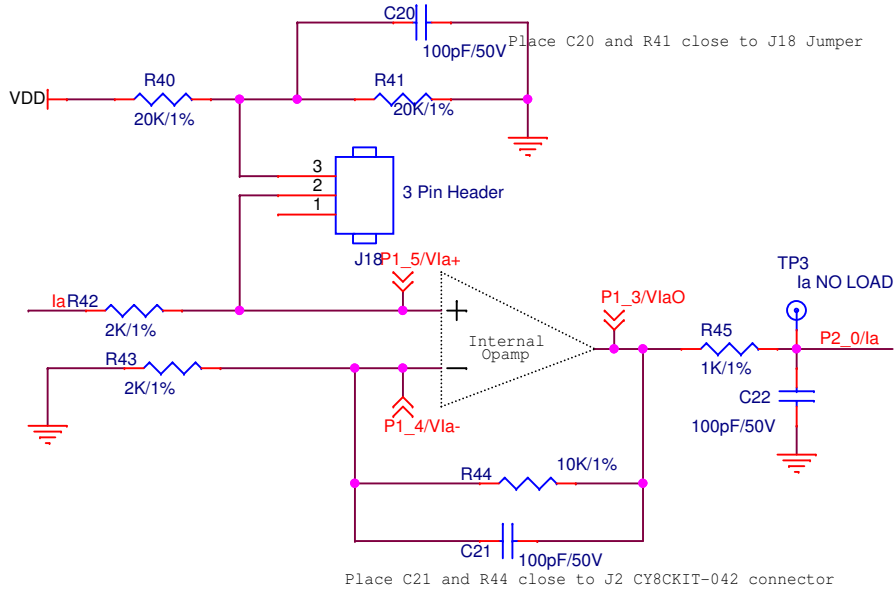


Hall and BEMF Selection

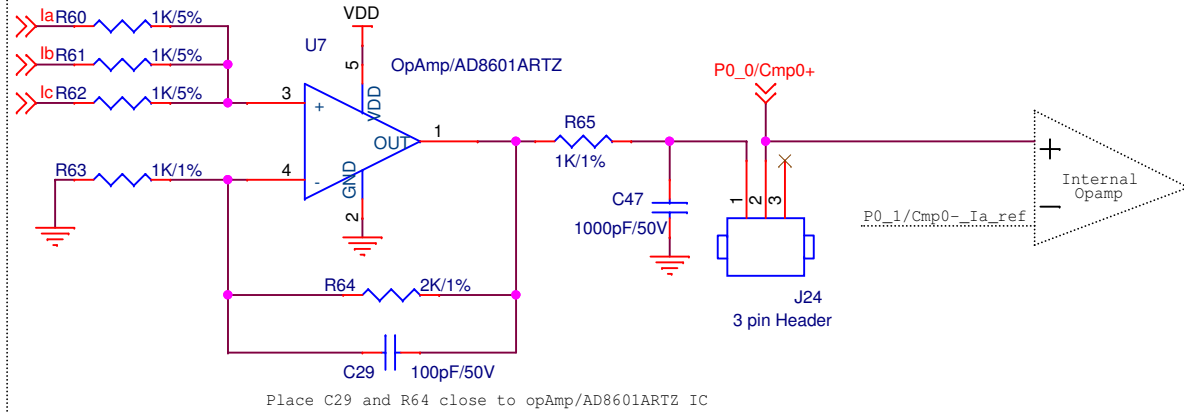
PCA: 121-60166-01
 PCB: 600-60202-01
 FAB DRW: 610-60194-01
 ASSY DRW: 620-60202-01

CYPRESS SEMICONDUCTOR © 2014		
Title CY8CKIT-037 MOTOR CONTROL EVK:Signal Conditioning of Sensor Signals		
Size A4	Document Number 630-60198-01	Rev 04
Date: Thursday, December 18, 2014	Sheet 5	of 8

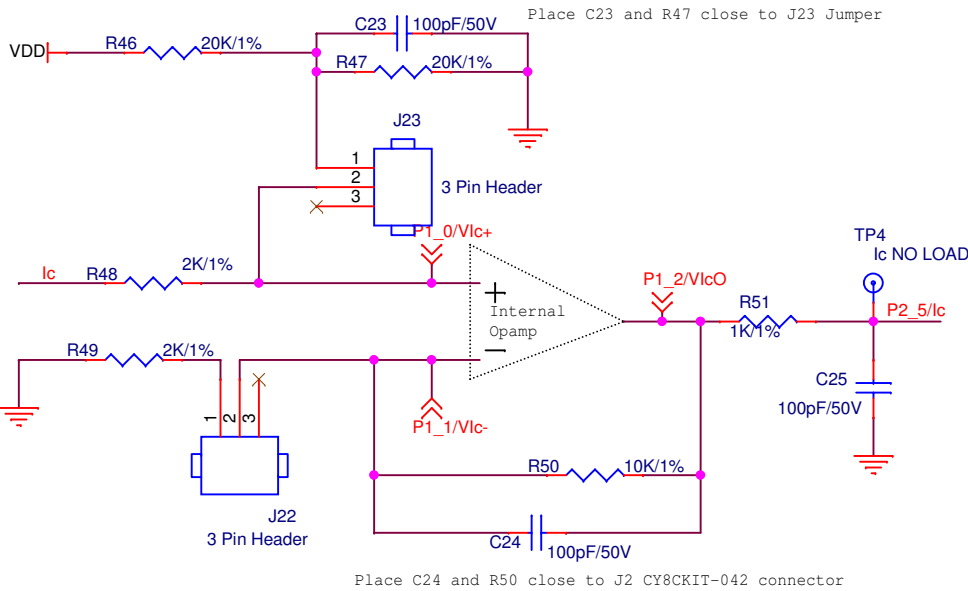
Winding A Current Detection



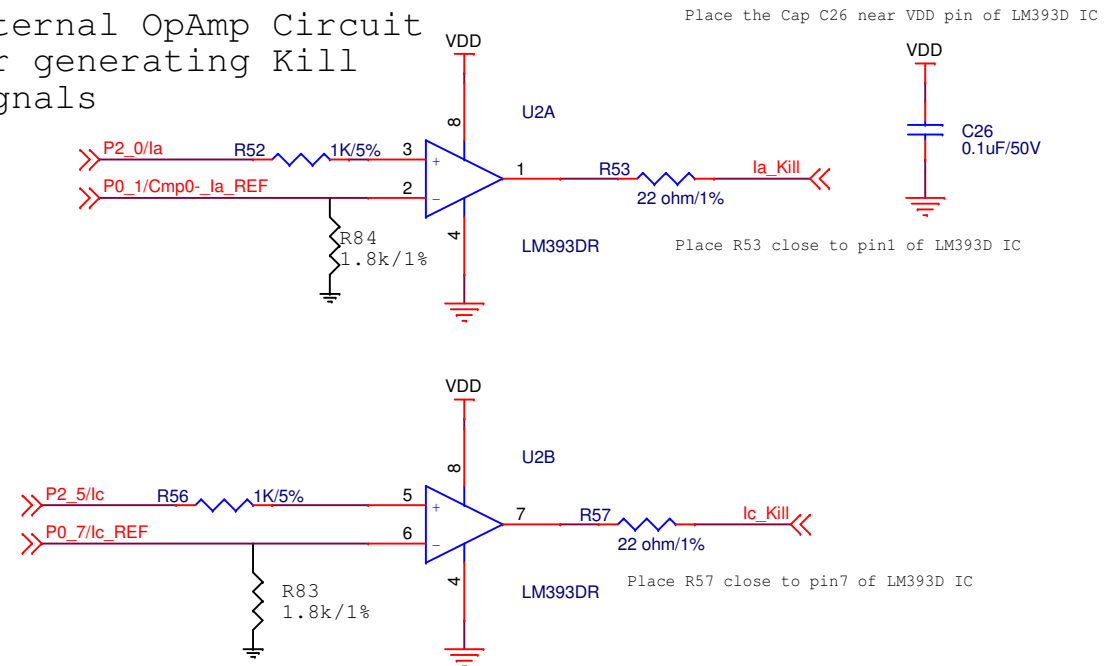
Over Current Detection



Winding C Current Detection



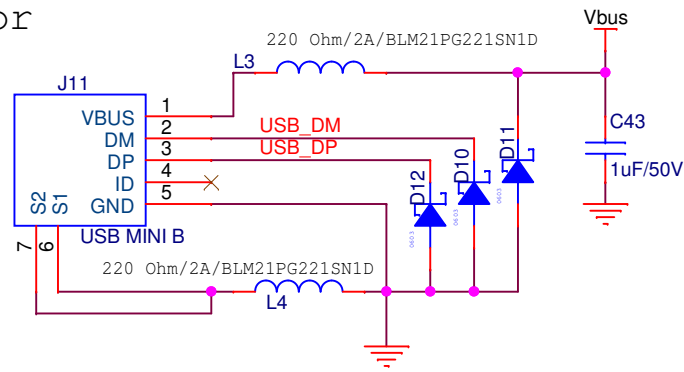
External OpAmp Circuit for generating Kill signals



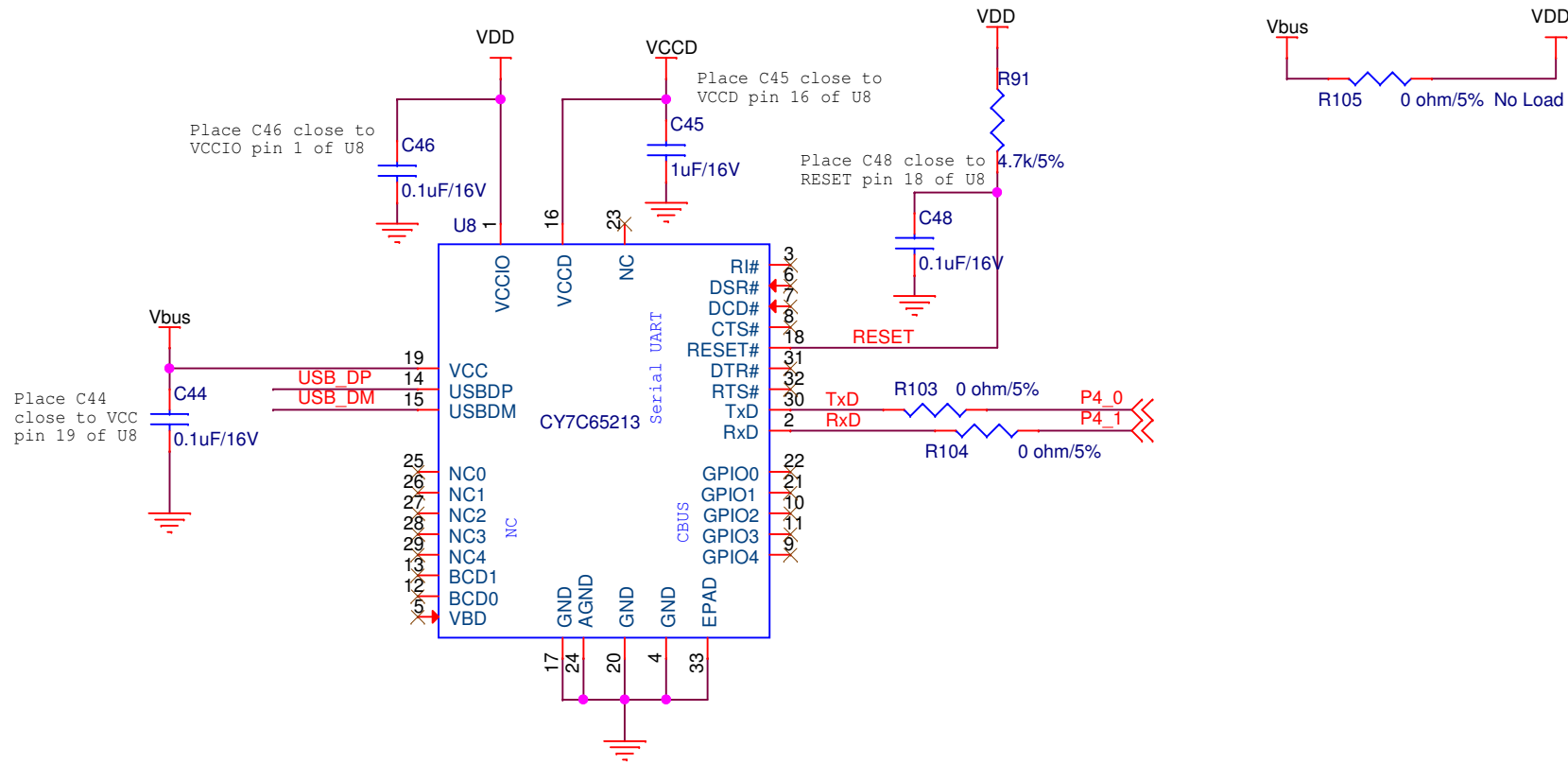
PCA: 121-60166-01
 PCB: 600-60202-01
 FAB DRW: 610-60194-01
 ASSY DRW: 620-60202-01

CYPRESS SEMICONDUCTOR © 2014		
Title CY8CKIT-037 MOTOR CONTROL EVK: Current Sense Circuit		
Size A4	Document Number 630-60168-01	Rev 04
Date: Thursday, December 18, 2014	Sheet 6 of 8	

USB Connector



USB-UART Bridge Controller



CYPRESS SEMICONDUCTOR © 2014

Title		
CY8CKIT-037 MOTOR CONTROL EVK: USB-UART Bridge Controller		
Size	Document Number	Rev
A	630-60168-01	04
Date:	Thursday, December 18, 2014	Sheet 7 of 8

PCA: 121-60166-01
 PCB: 600-60202-01
 FAB DRW: 610-60194-01
 ASSY DRW: 620-60202-01

Rev	Details	Engg
Rev 01		
Rev 02		
Rev 03	C11 changed to lower height part, F1 made No load and F2 made Load R38 replaced with Potentiometer part with lengthy shaft	SHIB
Rev 04	1.R9=19.1K 1% 0603 2.R10=1K, 1% 0603 3.R70,71,72= 18.2K, 1% 0603 4.Block Diagram updated	SHIB

CYPRESS SEMICONDUCTOR © 2014		
Title CY8CKIT-037 MOTOR CONTROL EVK: Block Diagram		
Size A	Document Number 630-60198-01	Rev 04
Date: Thursday, December 18, 2014 Sheet 8 of 8		