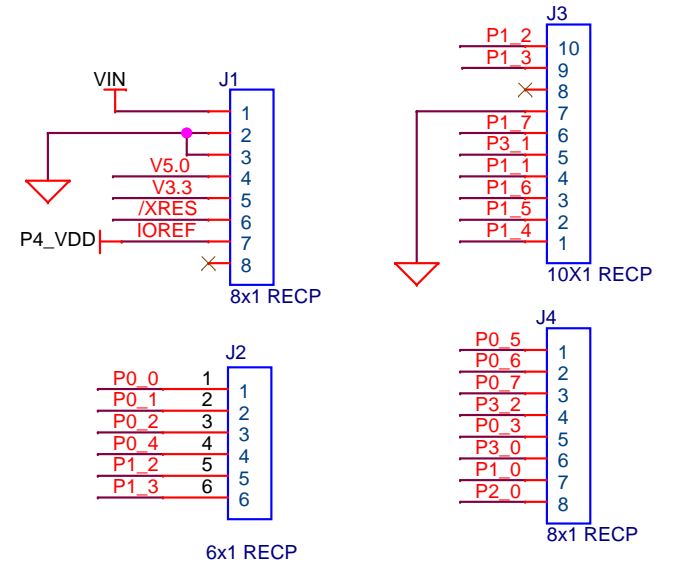


5X6 Touch Pad

CapSense Touch Pad



(J1-J4) Arduino Compatible Headers

PCA: 121-60151-01  
 PCB: 600-60188-01  
 FAB DRW: 610-60180-01  
 ASSY DRW: 620-60188-01

<b>CYPRESS SEMICONDUCTOR © 2014</b>		
Title		
<b>Trackpad Shield</b>		
Size	Document Number	Rev
A	<b>630-60184-01</b>	<b>02</b>
Date:	Thursday, February 27, 2014	Sheet 1 of 1