

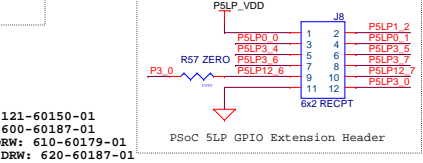
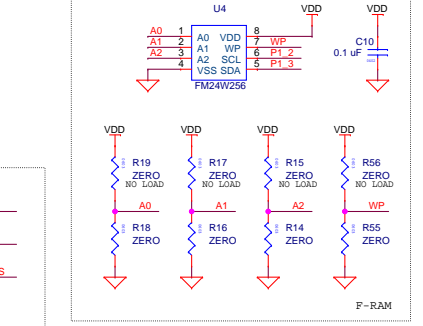
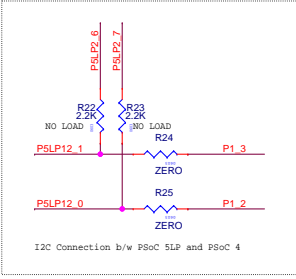
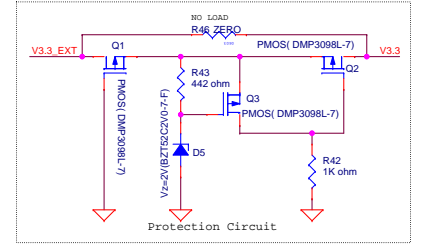
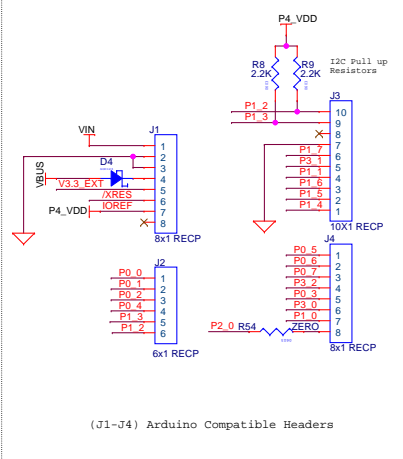
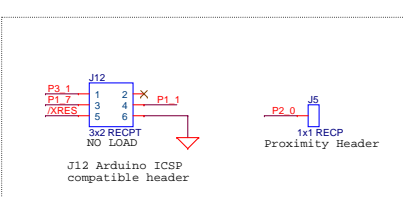
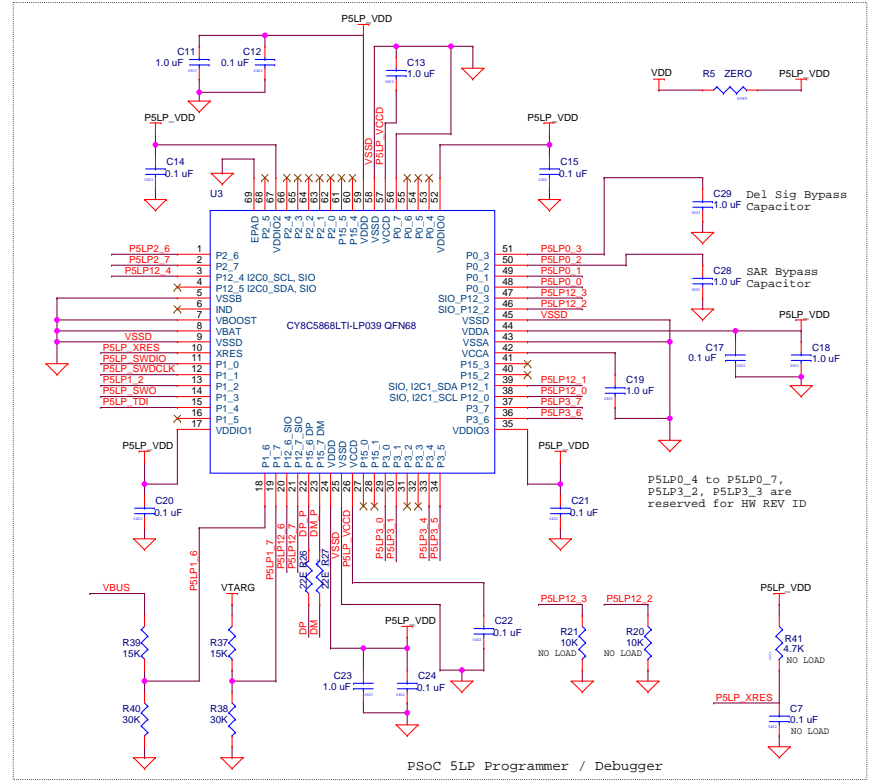
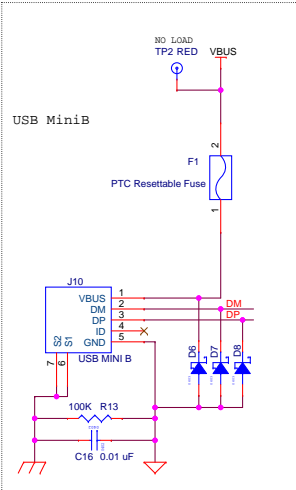
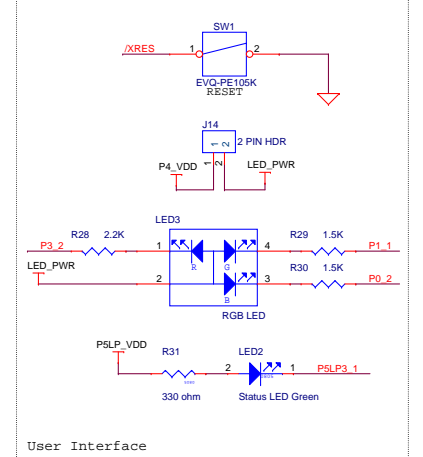
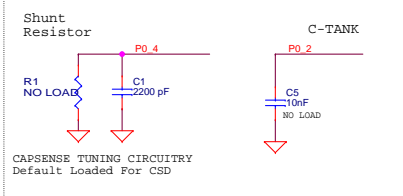
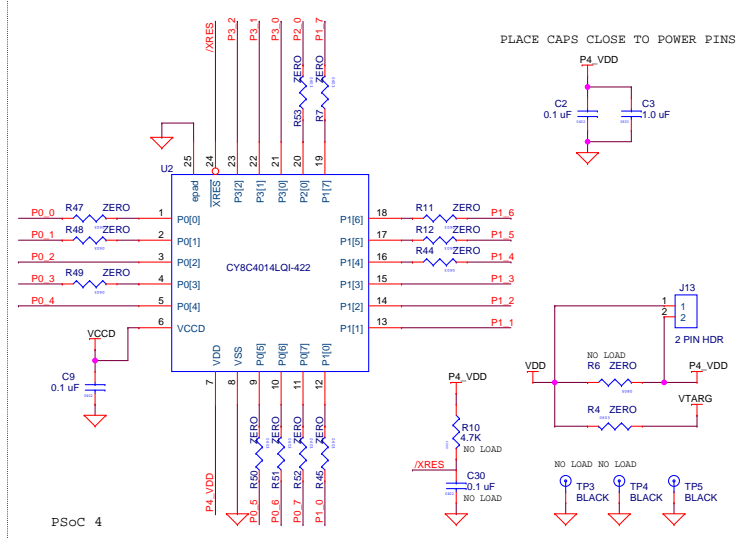
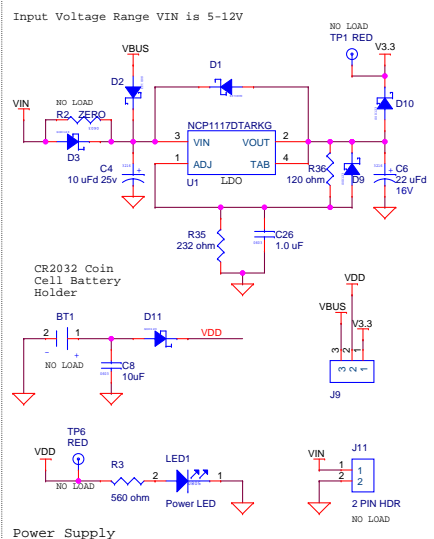
PCA: 121-60150-01
 PCB: 600-60187-01
 FAB DRW: 610-60179-01
 ASSY DRW: 620-60187-01

CYPRESS SEMICONDUCTOR © 2014

Title
CY8CKIT-040 PSoC 4000 Pioneer Board

Size A	Document Number 630-60183-01	Rev 03
-----------	--	------------------

Date: Wednesday, March 26, 2014 Sheet 1 of 2



PCA: 121-60150-01
PCB: 600-60187-01
FAB DRW: 610-60179-01
ASSY DRW: 620-60187-01