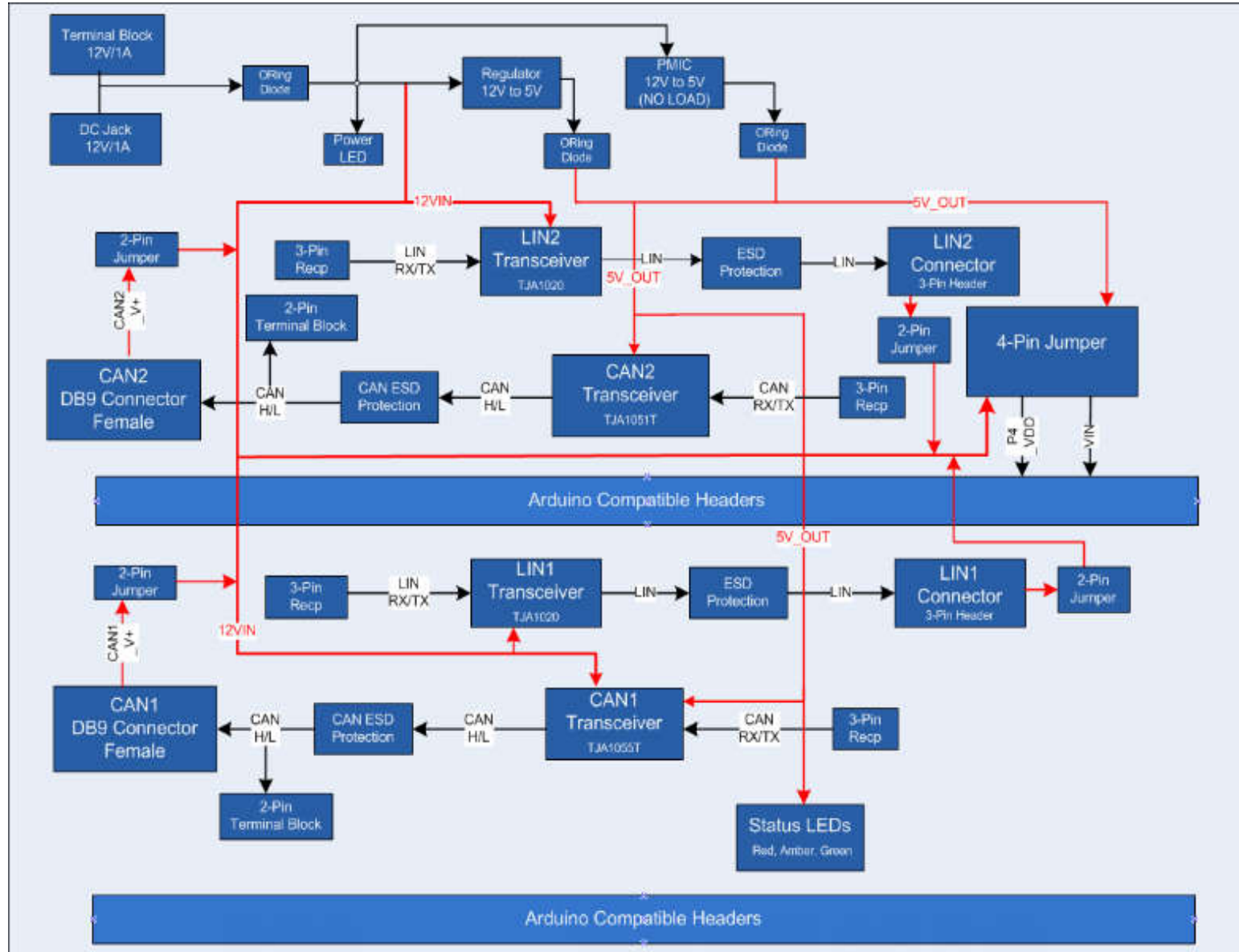


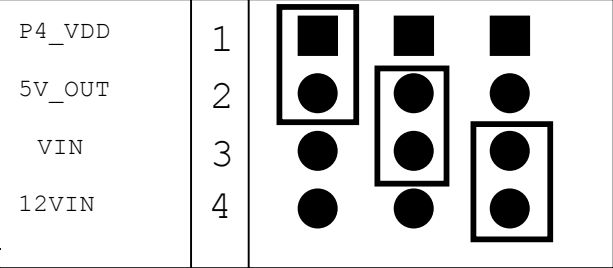
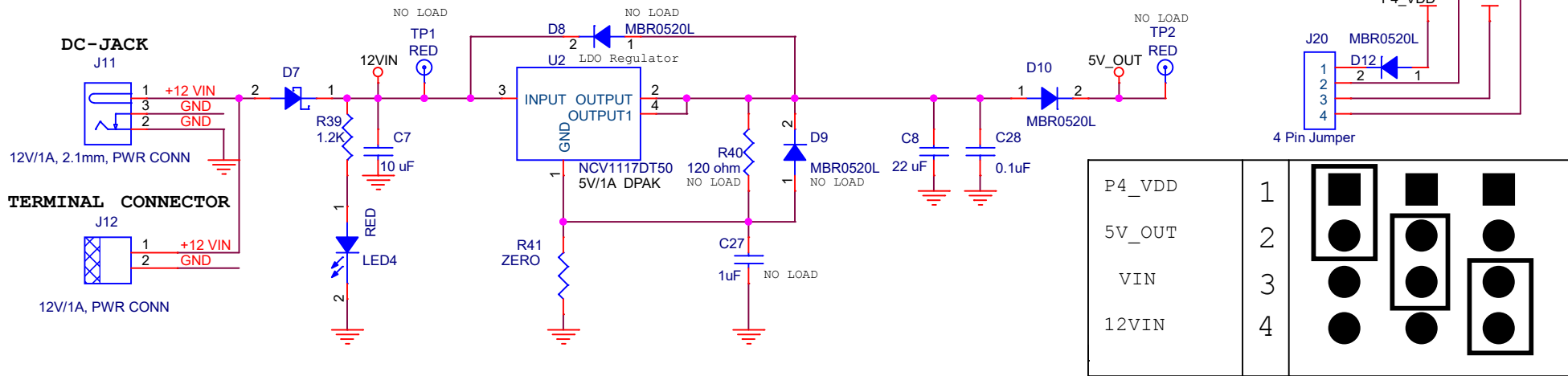
# OVERVIEW BLOCK DIAGRAM OF CY8CKIT-026 CAN and LIN SHIELD KIT



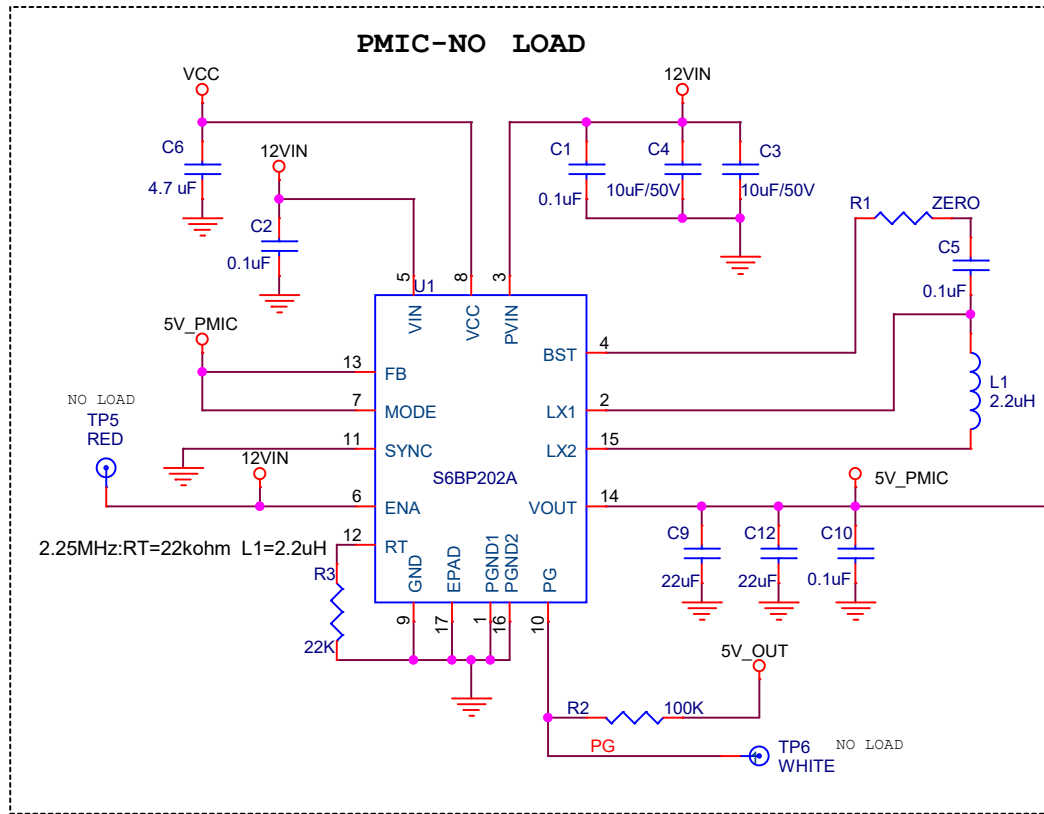
PCB : 600-60283-01  
 ASSY : 620-60280-01  
 BOM : 121-60251-01  
 SCH : 630-60278-01  
 FAB : 610-60272-01

<b>CYPRESS SEMICONDUCTOR © 2015</b>		
<b>Title</b>		
<b>CY8CKIT-026 CAN and LIN Shield Kit</b>		
<b>Size</b>	<b>Document Number</b>	<b>Rev</b>
A4	<b>630-60278-01</b>	<b>03</b>
<b>Date:</b>	<b>Tuesday, December 15, 2015</b>	<b>Sheet 1 of 6</b>

### POWER-SECTION

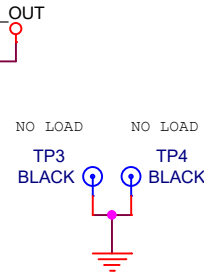


### PMIC-NO LOAD



Short pins	Description
1&2	5V "Power to Shield" from Baseboard (provided by default)
* 2&3	5V "Power to Baseboard" from Shield
* 3&4	12V "Power to Baseboard" from Shield

\* During this selection do not connect any external supply to Baseboard through VIN pin.



- PCB : 600-60283-01
- ASSY : 620-60280-01
- BOM : 121-60251-01
- SCH : 630-60278-01
- FAB : 610-60272-01

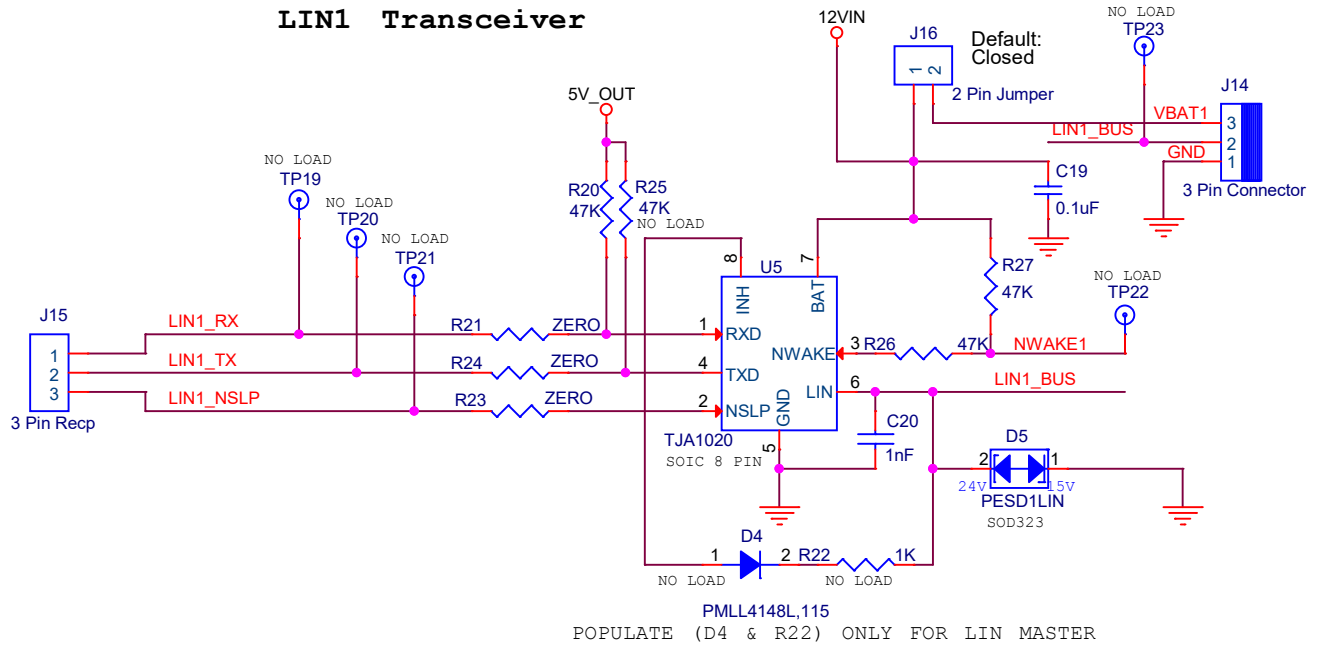
**CYPRESS SEMICONDUCTOR © 2015**

**Title**  
**CY8KIT-026 CAN and LIN Shield Kit**

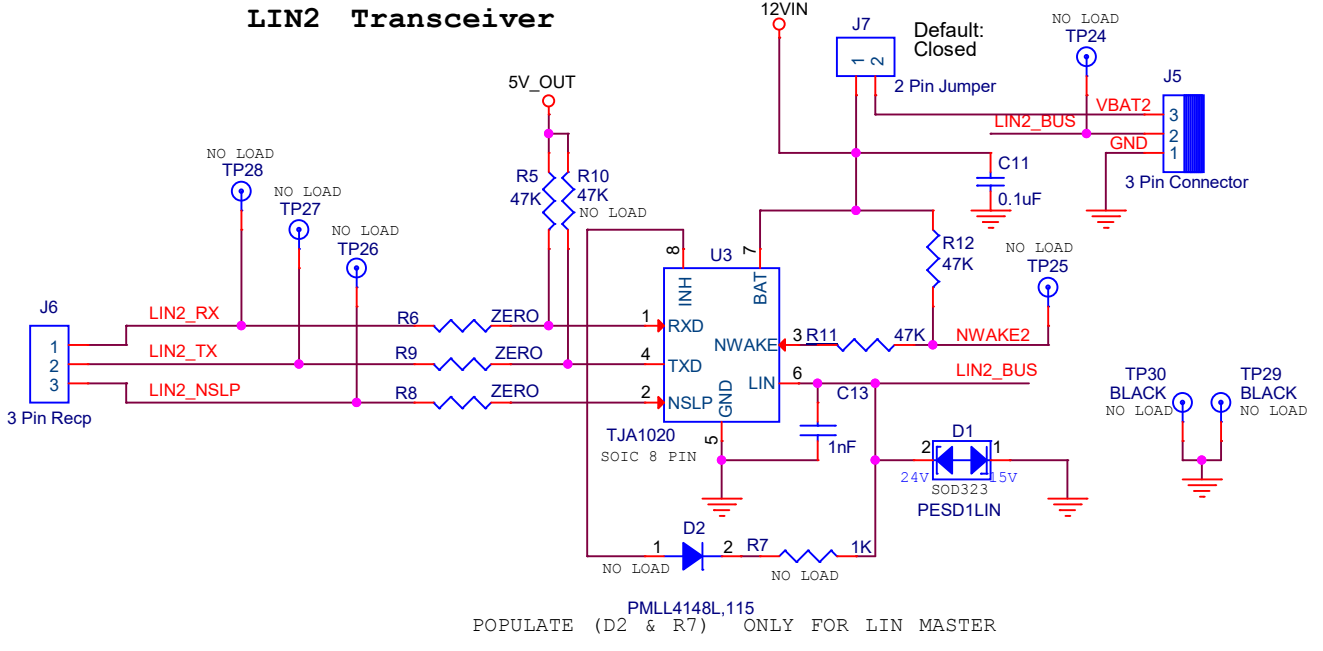
Size <b>A4</b>	Document Number <b>630-60278-01</b>	Rev <b>03</b>
Date: Tuesday, December 15, 2015	Sheet 2	of 6



### LIN1 Transceiver



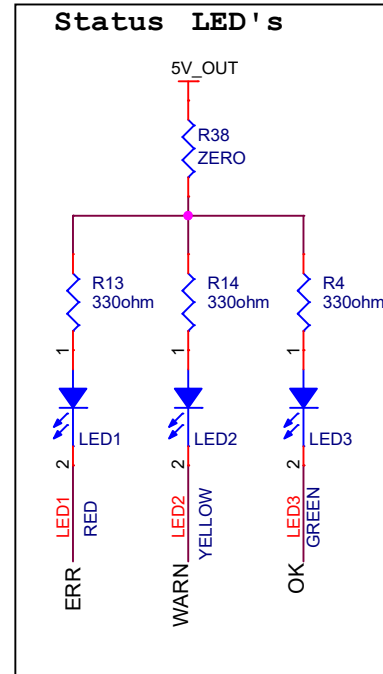
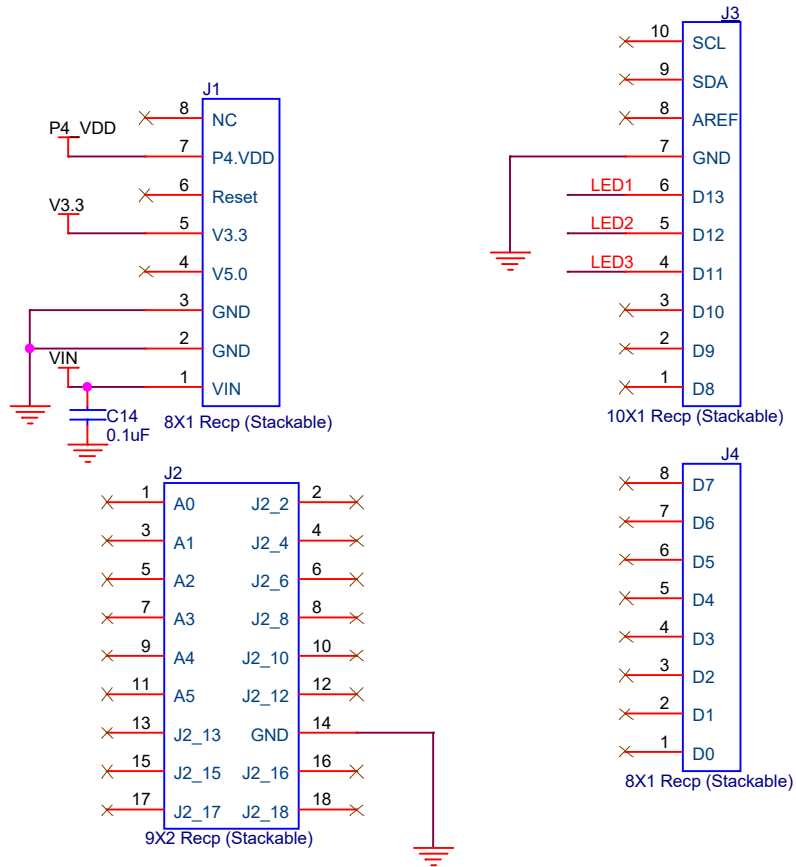
### LIN2 Transceiver



- PCB : 600-60283-01
- ASSY : 620-60280-01
- BOM : 121-60251-01
- SCH : 630-60278-01
- FAB : 610-60272-01

<b>CYPRESS SEMICONDUCTOR © 2015</b>		
<b>Title</b>		
<b>CY8CKIT-026 CAN and LIN Shield Kit</b>		
Size A4	Document Number <b>630-60278-01</b>	Rev <b>03</b>
Date:	Tuesday, December 15, 2015	Sheet 4 of 6

## Arduino Connectors



LIN	
ARDUINO HEADER	CY8CKIT-042/044
J3_10	J15_1 (LIN1_RX)
J3_9	J15_2 (LIN1_TX)
J2_13	J15_3 (LIN1_NSLP)
J4-D0	J6_1 (LIN2_RX)
J4-D1	J6_2 (LIN2_TX)
J2_15	J6_3 (LIN2_NSLP)

CAN		
CY8CKIT-044		
ARDUINO HEADER	CAN1	CAN2
J2_13	J19_2 (CAN1_RX)	J9_3 (CAN2_RX)
J2_15	J19_1 (CAN1_TX)	J9_2 (CAN2_TX)

PCB : 600-60283-01  
 ASSY : 620-60280-01  
 BOM : 121-60251-01  
 SCH : 630-60278-01  
 FAB : 610-60272-01

<b>CYPRESS SEMICONDUCTOR © 2015</b>		
Title <b>CY8CKIT-026 CAN and LIN Shield Kit</b>		
Size A4	Document Number <b>630-60278-01</b>	Rev <b>03</b>
Date: Tuesday, December 15, 2015	Sheet 5	of 6

# General Notes

- 1) No of Layers -- 2 with ground filling on both sides
- 2) Board Thickness -- 1.6mm
- 3) Copper Thickness -- 35microns
- 4) Solder mask -- Cypress Red
- 5) Legend Print --White

PCB : 600-60283-01  
ASSY : 620-60280-01  
BOM : 121-60251-01  
SCH : 630-60278-01  
FAB : 610-60272-01

<b>CYPRESS SEMICONDUCTOR © 2015</b>		
<b>Title</b> <b>CY8CKIT-026 CAN and LIN Shield Kit</b>		
<b>Size</b> A4	<b>Document Number</b> <b>630-60278-01</b>	<b>Rev</b> <b>03</b>
<b>Date:</b> Tuesday, December 15, 2015		<b>Sheet</b> 6 <b>of</b> 6