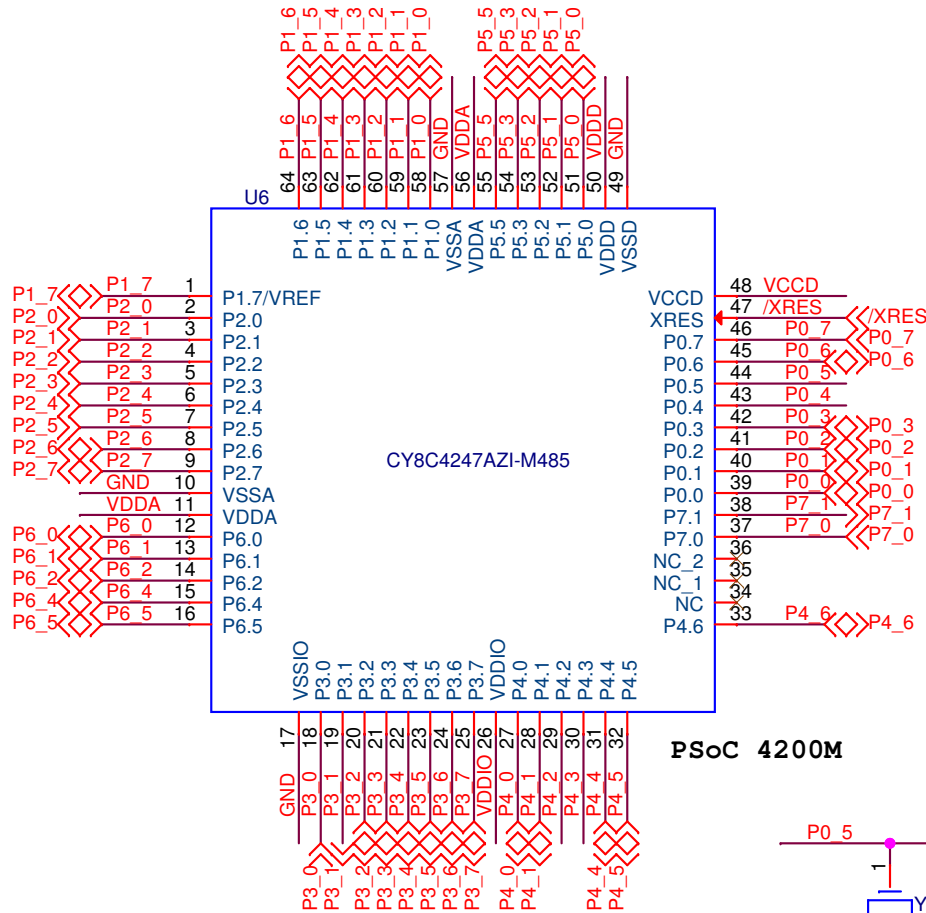
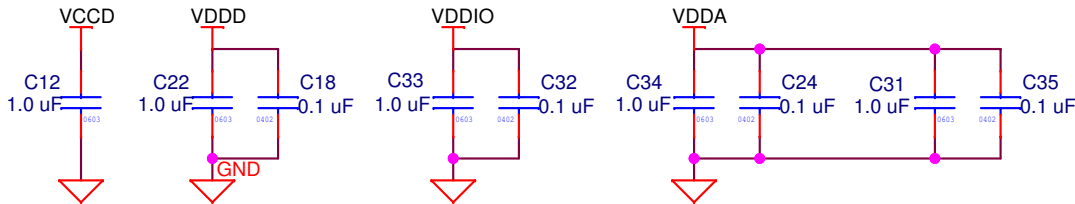
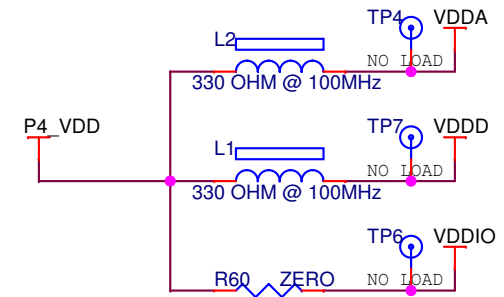
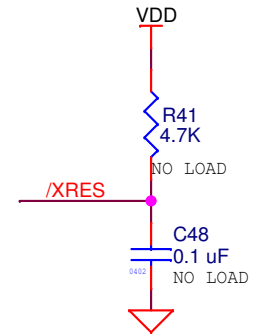
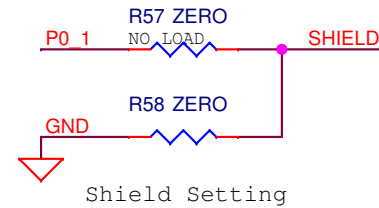
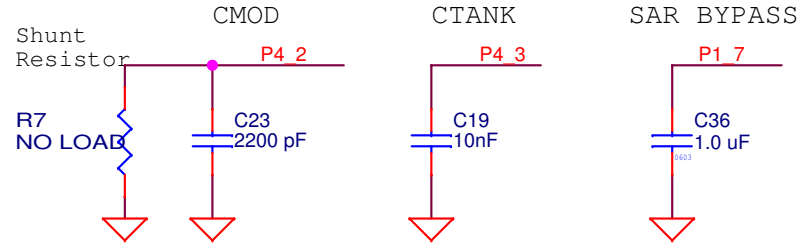
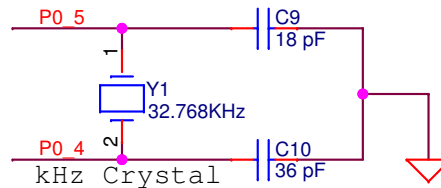


CYPRESS SEMICONDUCTOR © 2015		
Title		
CY8CKIT-044 PSoC 4 M-Series Pioneer Kit		
Size	Document Number	Rev
A	630-60223-01	02
Date:	Tuesday, May 19, 2015	Sheet 1 of 5



PSoC 4200M

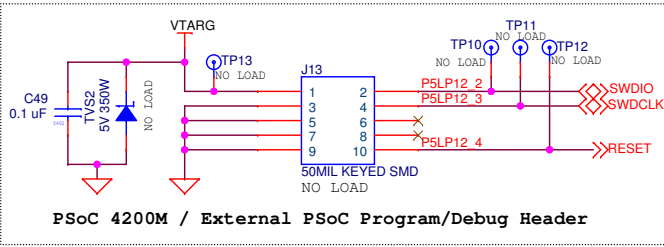
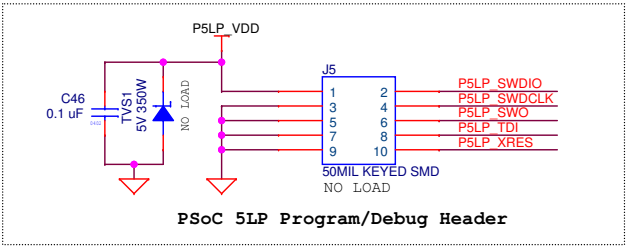
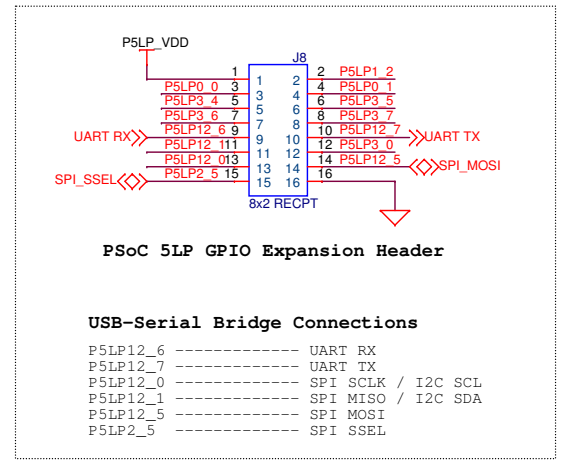
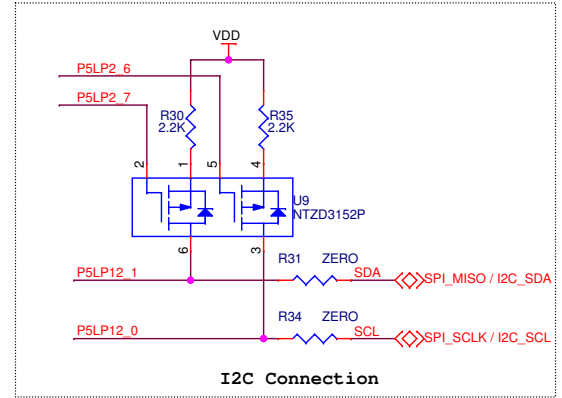
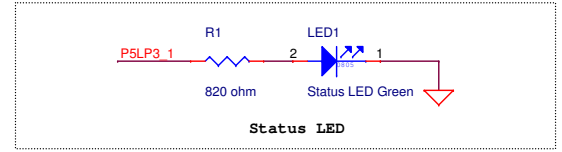
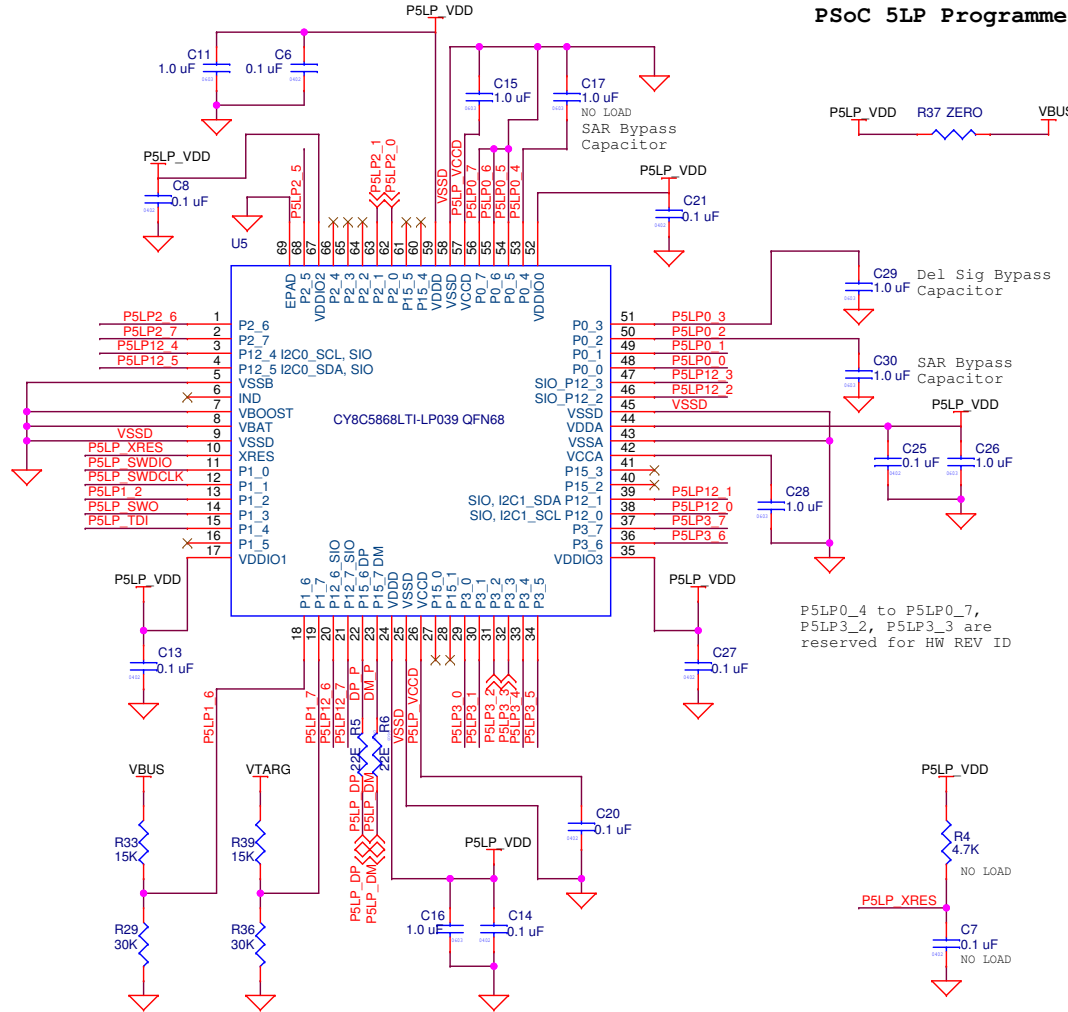


Place each pair of caps close to Power Pins

PCA: 121-60185-01
 PCB: 600-60221-01
 FAB DRW: 610-60217-01
 ASSY DRW: 620-60225-01

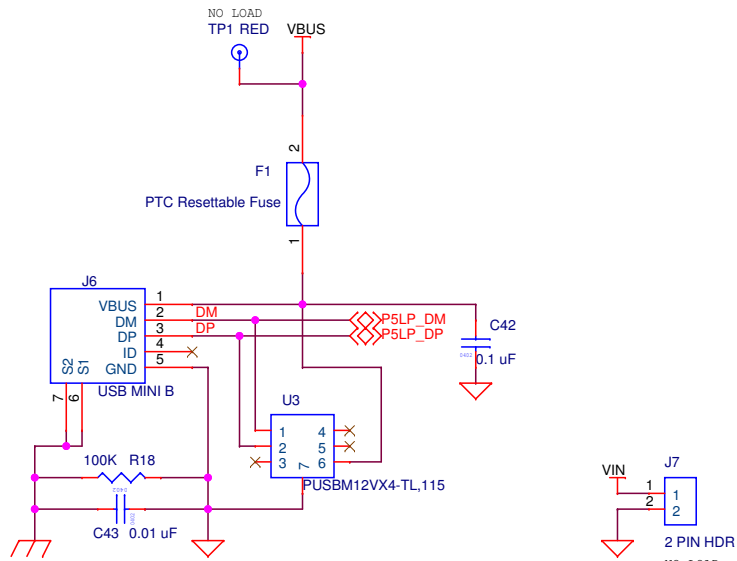
CYPRESS SEMICONDUCTOR © 2015		
Title		
CY8CKIT-044 PSoC 4 M-Series Pioneer Kit		
Size A	Document Number 630-60223-01	Rev 02
Date:	Tuesday, May 19, 2015	Sheet 2 of 5

PSoc 5LP Programmer / Debugger

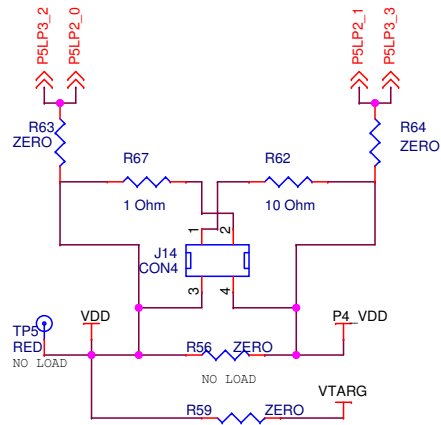


PCA: 121-60185-01
 PCB: 600-60221-01
 FAB DRW: 610-60217-01
 ASSY DRW: 620-60225-01

CYPRESS SEMICONDUCTOR © 2015			
Title			
CY8CKIT-044 PSoC 4 M-Series Pioneer Kit			
Size	Document Number	Rev	
B	630-60223-01	02	
Date:	Tuesday, May 19, 2015	Sheet	3 of 5



USB MiniB Connector

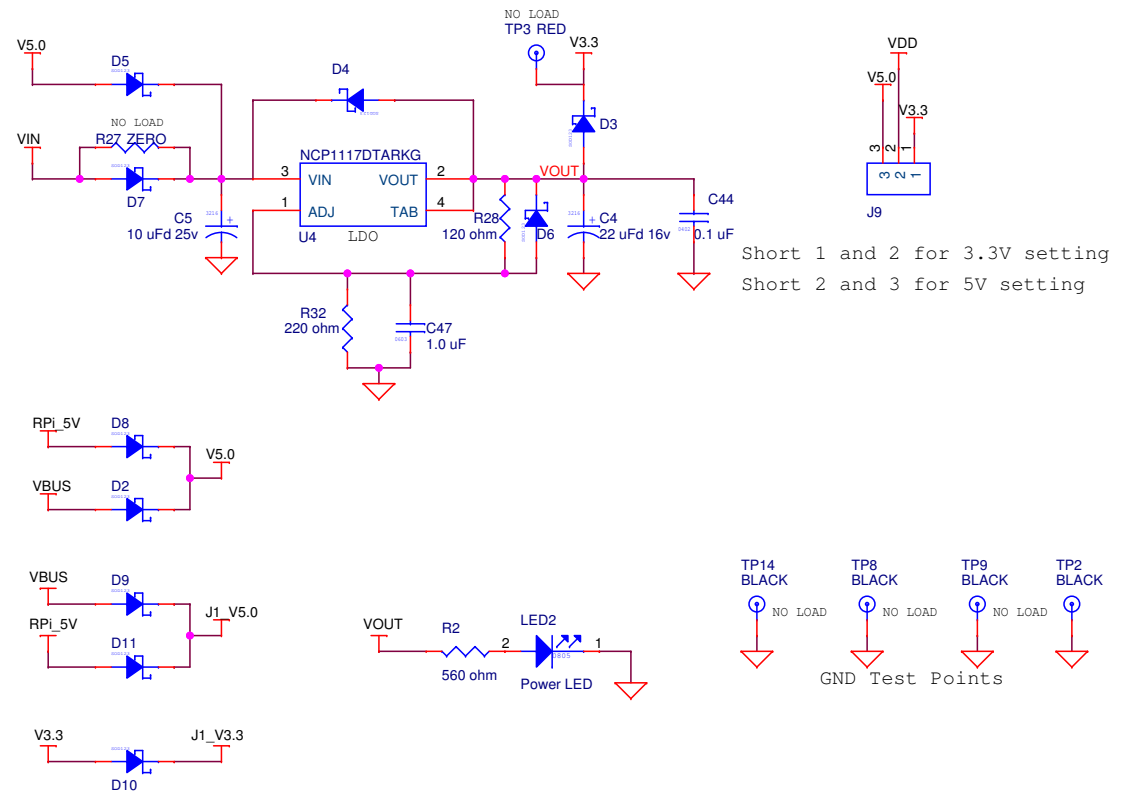


J14 Jumper Settings
 1 & 3 -> 10 Ohm Shunt
 2 & 4 -> 1 Ohm Shunt
 3 & 4 -> Short out shunts

Power Monitoring

Power Supply

Input Voltage Range for VIN is 5-12V

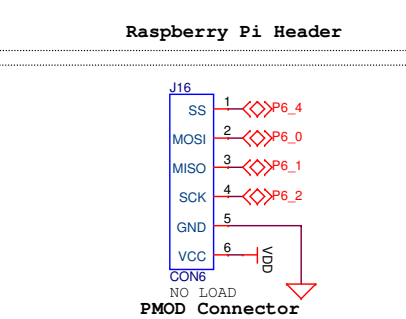
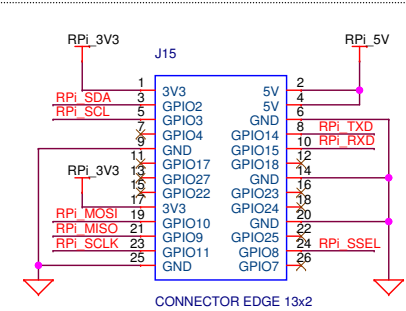
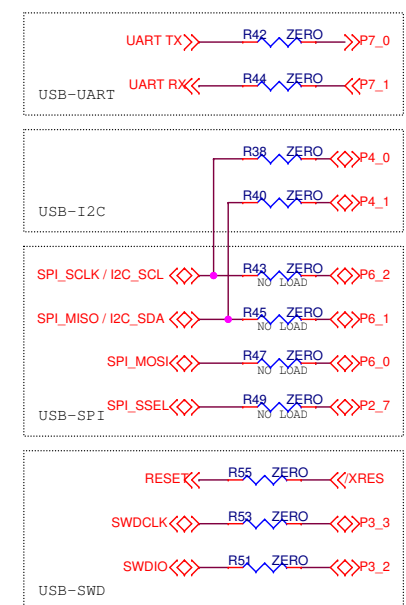
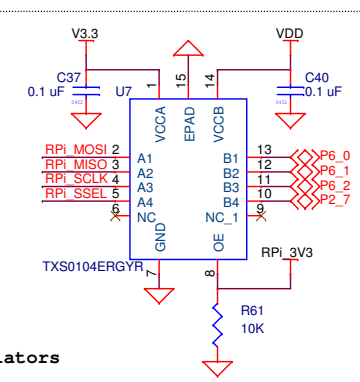
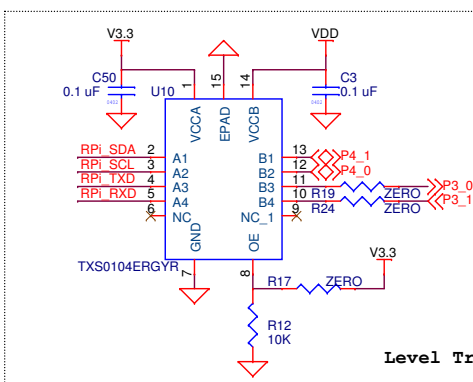
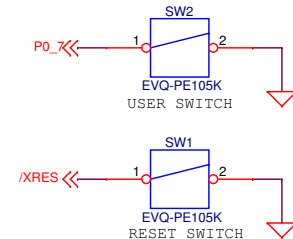
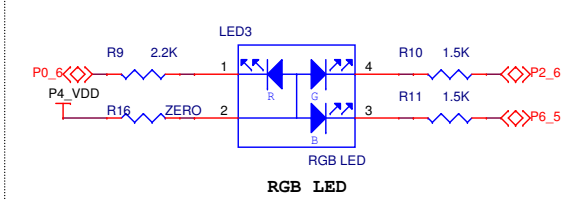
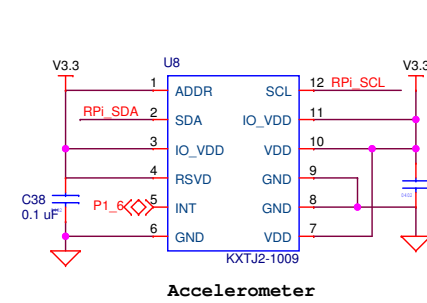
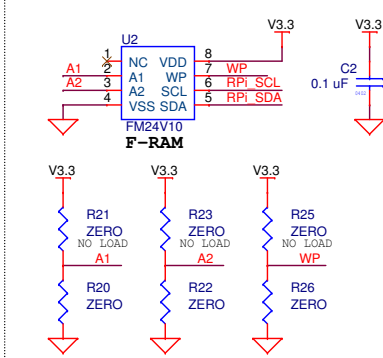
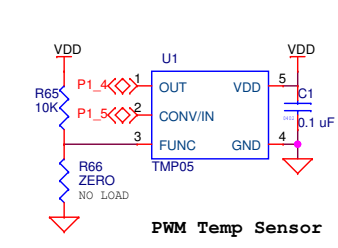
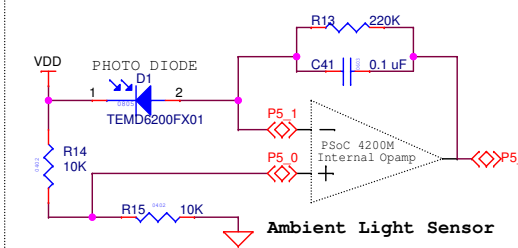
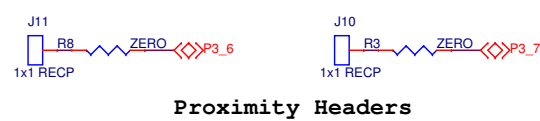
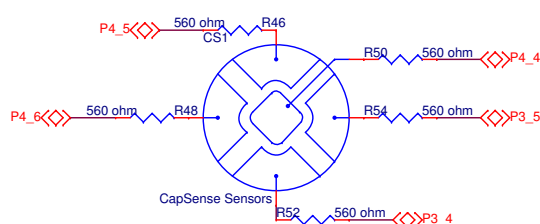
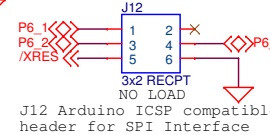
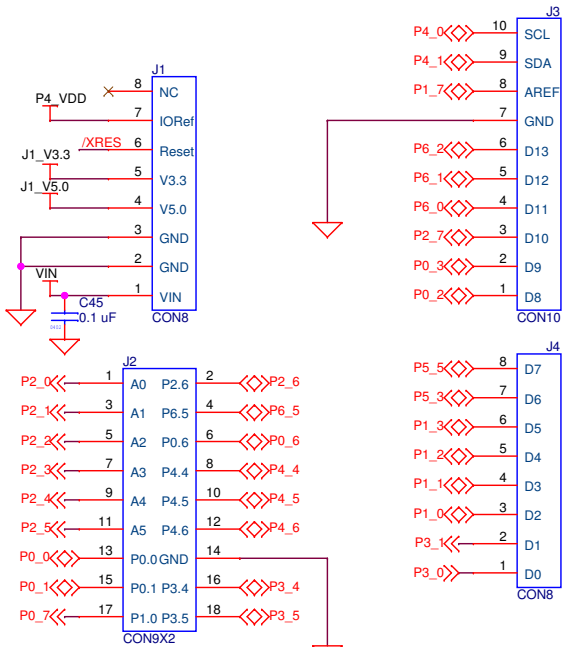


Short 1 and 2 for 3.3V setting
 Short 2 and 3 for 5V setting

PCA: 121-60185-01
 PCB: 600-60221-01
 FAB DRW: 610-60217-01
 ASSY DRW: 620-60225-01

CYPRESS SEMICONDUCTOR © 2015		
Title CY8CKIT-044 PSoc 4 M-Series Pioneer Kit		
Size Custom	Document Number 630-60223-01	Rev 02
Date:	Tuesday, May 19, 2015	Sheet 4 of 5

Arduino Connectors



PCA: 121-60185-01
PCB: 600-60221-01
FAB DRW: 610-60217-01
ASSY DRW: 620-60225-01

CYPRESS SEMICONDUCTOR © 2015			
File CY8CKIT-044 PSoC 4 M-Series Pioneer Kit			
Size	Document Number	Rev	
Custom	630-60223-01	02	
Date:	Tuesday, May 19, 2015	Sheet	5 of 5