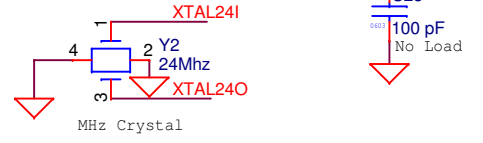
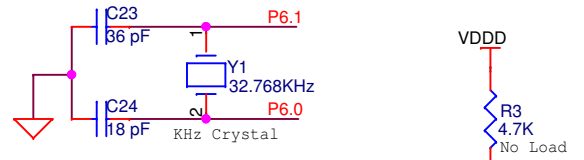
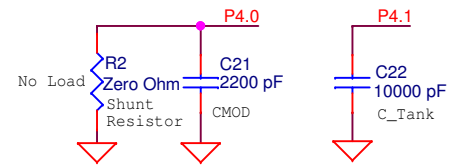
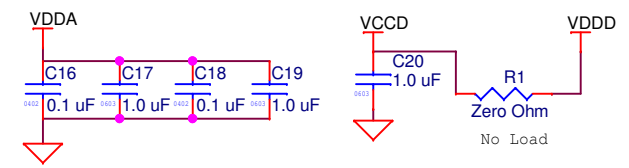
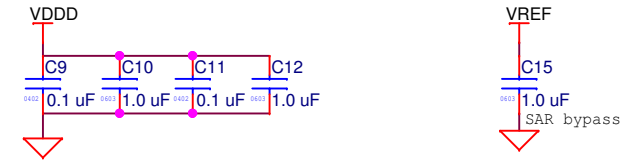
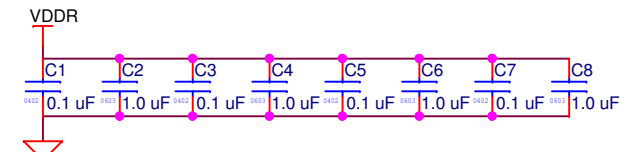
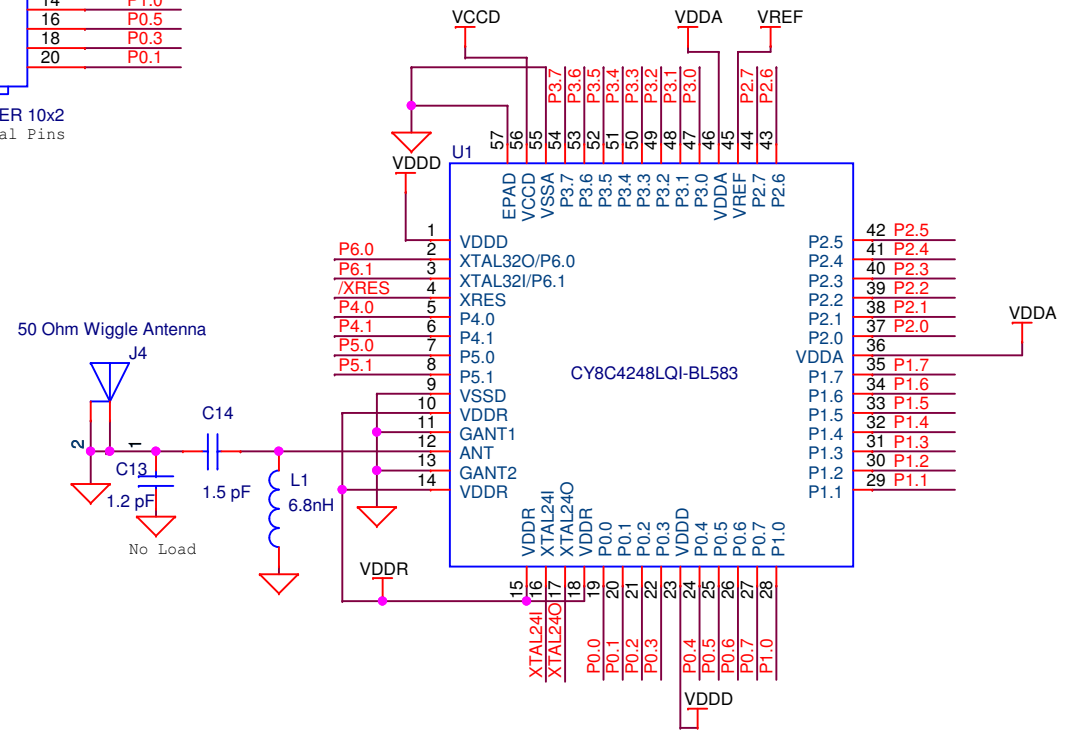
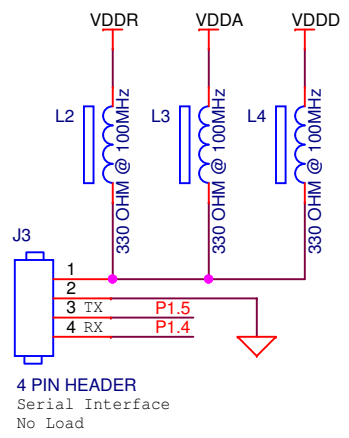
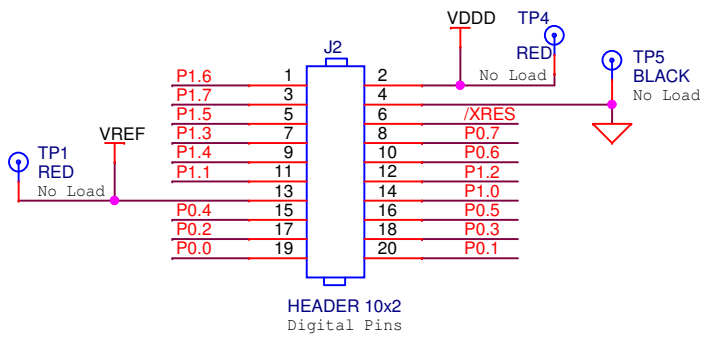
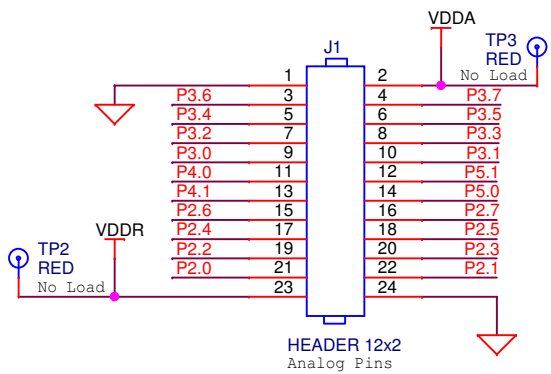


PCA: 121-60215-01
 PCB: 600-60248-01
 FAB DRW: 610-60240-01
 ASSY DRW: 620-60248-01

CYPRESS SEMICONDUCTOR © 2016		
Title		
CY8CKIT-143A PSoc 4 BLE 256KB Module		
Size	Document Number	Rev
A4	630-60247-01	02
Date:	Thursday, March 03, 2016	Sheet 1 of 2



PCA: 121-60215-01
 PCB: 600-60248-01
 FAB DRW: 610-60240-01
 ASSY DRW: 620-60248-01

CYPRESS SEMICONDUCTOR © 2016		
Title CY8CKIT-143A PSoc 4 BLE 256KB Module		
Size A4	Document Number 630-60247-01	Rev 02
Date: Friday, March 04, 2016	Sheet 2 of 2	