

PCA: 121-60329-01
 PCB: 600-60352-01
 FAB DRW: 610-60315-01
 ASSY DRW: 620-60321-01

CYPRESS SEMICONDUCTOR © 2016		
Title CY8CKIT-042-BLE-A Pioneer Baseboard		
Size B	Document Number 630-60325-01	Rev 07
Date: Thursday, March 24, 2016		
Sheet		1 of 4

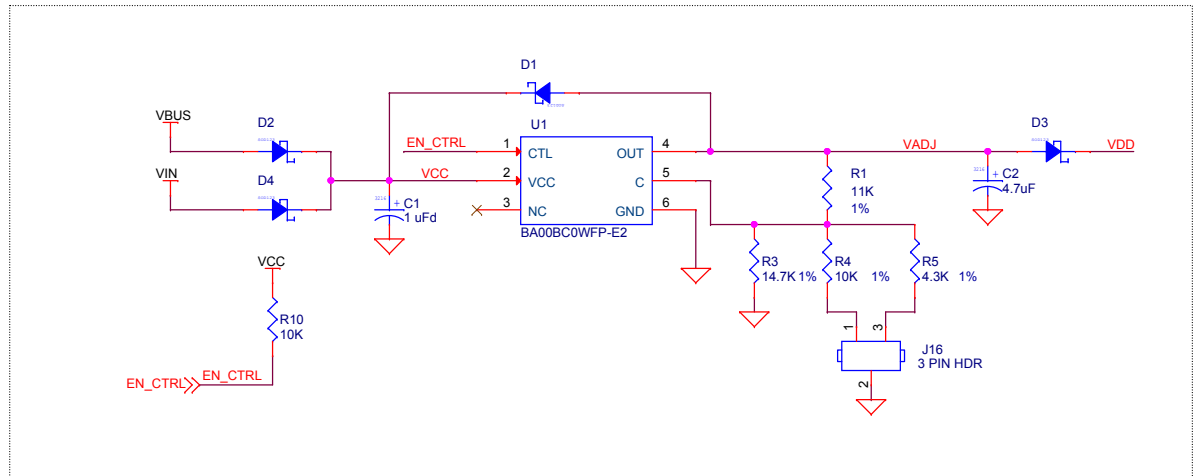
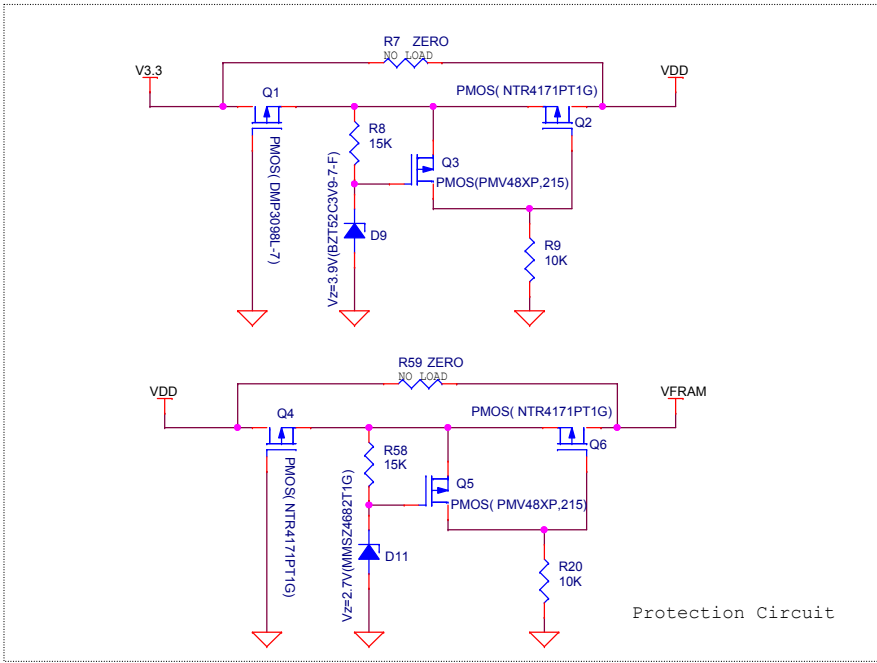
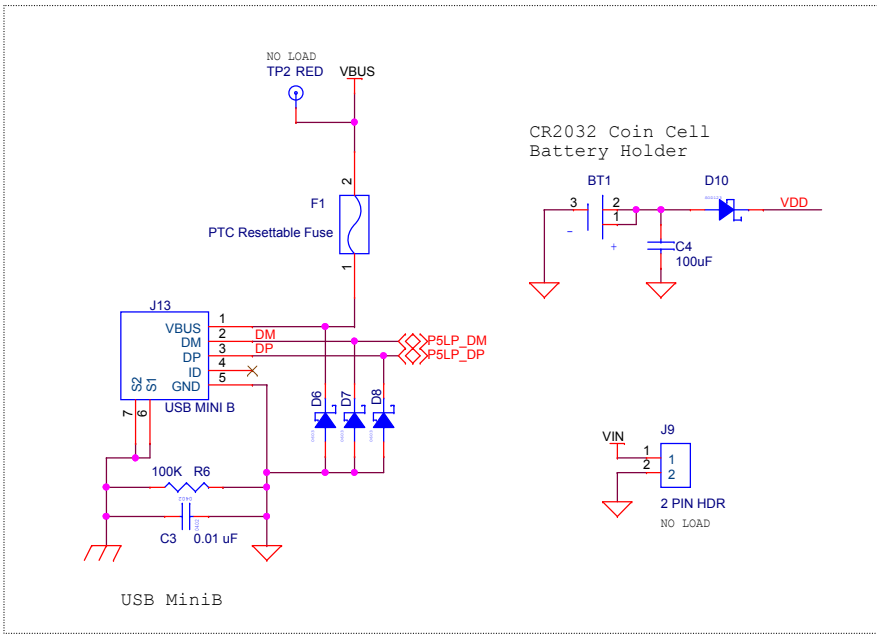
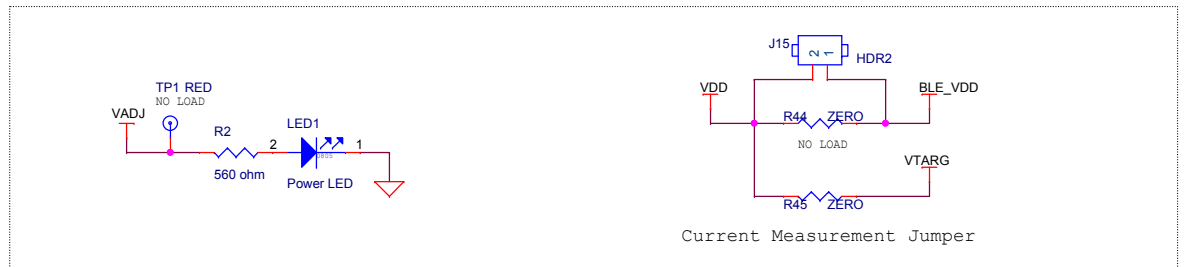
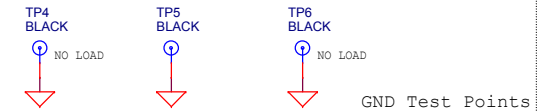


TABLE: LDO PIN FUNCTIONS

Pin No.	Symbol	Function
1	CTL	Output Voltage ON / OFF control
2	VCC	Power supply voltage input
3	N.C.	Unconnected terminal
4	OUT	Voltage output
5	C	Output voltage regulation terminal
6	GND	Ground

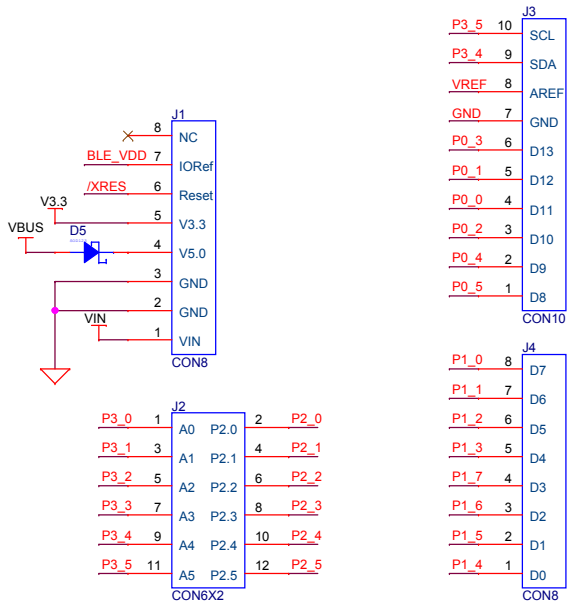
TABLE: VOLTAGE SELECTION JUMPER SETTINGS

JUMPER SETTING	O/P VOLTAGE
SHORT 2 & 3	5V
SHORT 1 & 2	3.3V
REMOVE JUMPER	1.9V

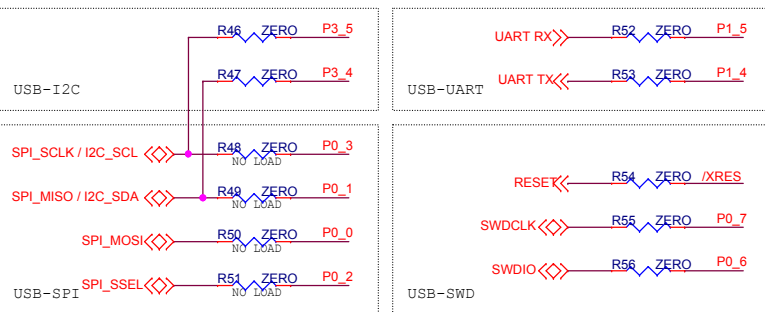
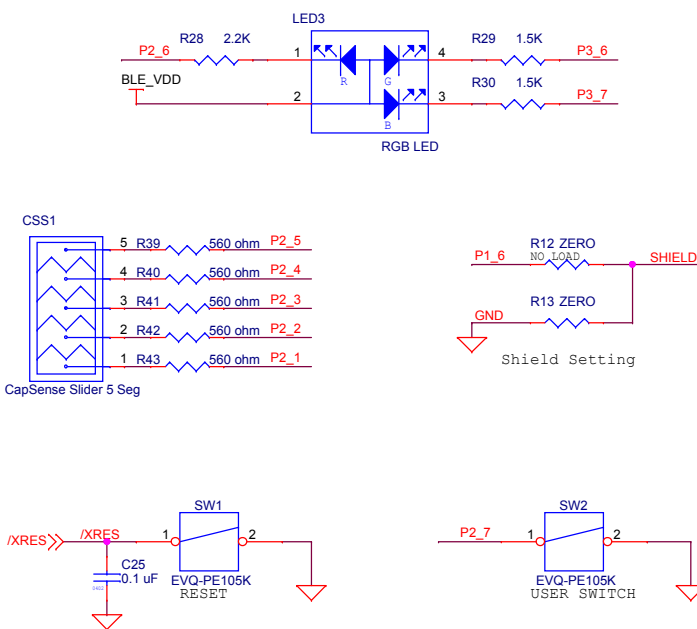
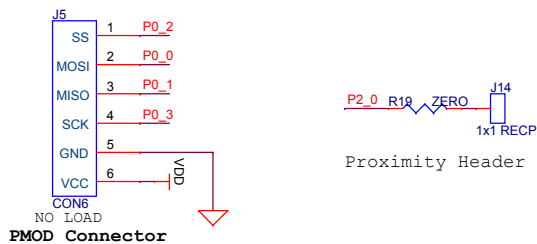
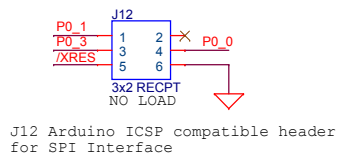


PCA: 121-60329-01
 PCB: 600-60352-01
 FAB DRW: 610-60315-01
 ASSY DRW: 620-60321-01

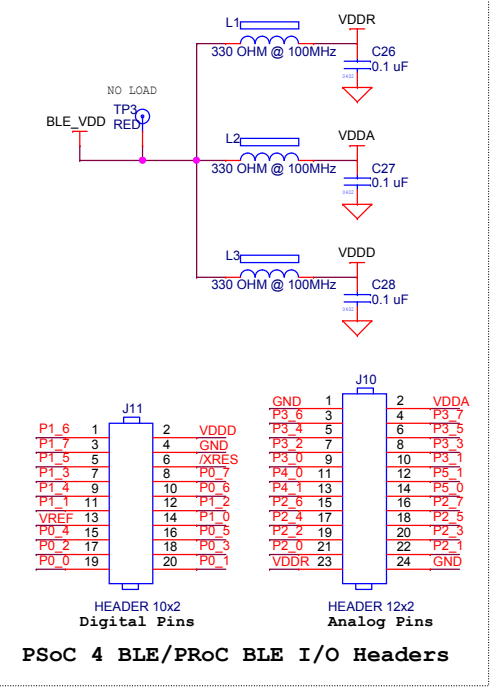
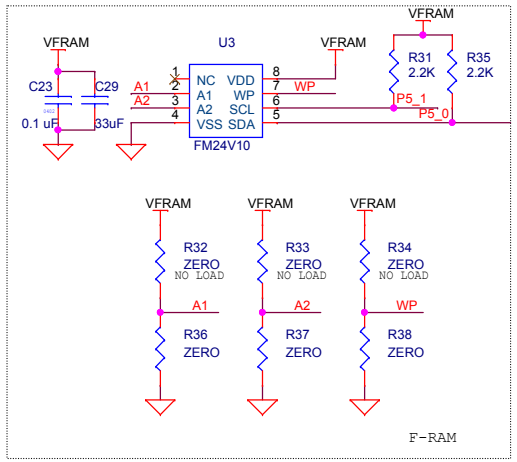
CYPRESS SEMICONDUCTOR © 2016		
Title		
CY8CKIT-042-BLE-A Pioneer Baseboard		
Size	Document Number	Rev
B	630-60325-01	07
Date:	Thursday, March 24, 2016	Sheet 2 of 4



(J1- J4) Arduino Connectors



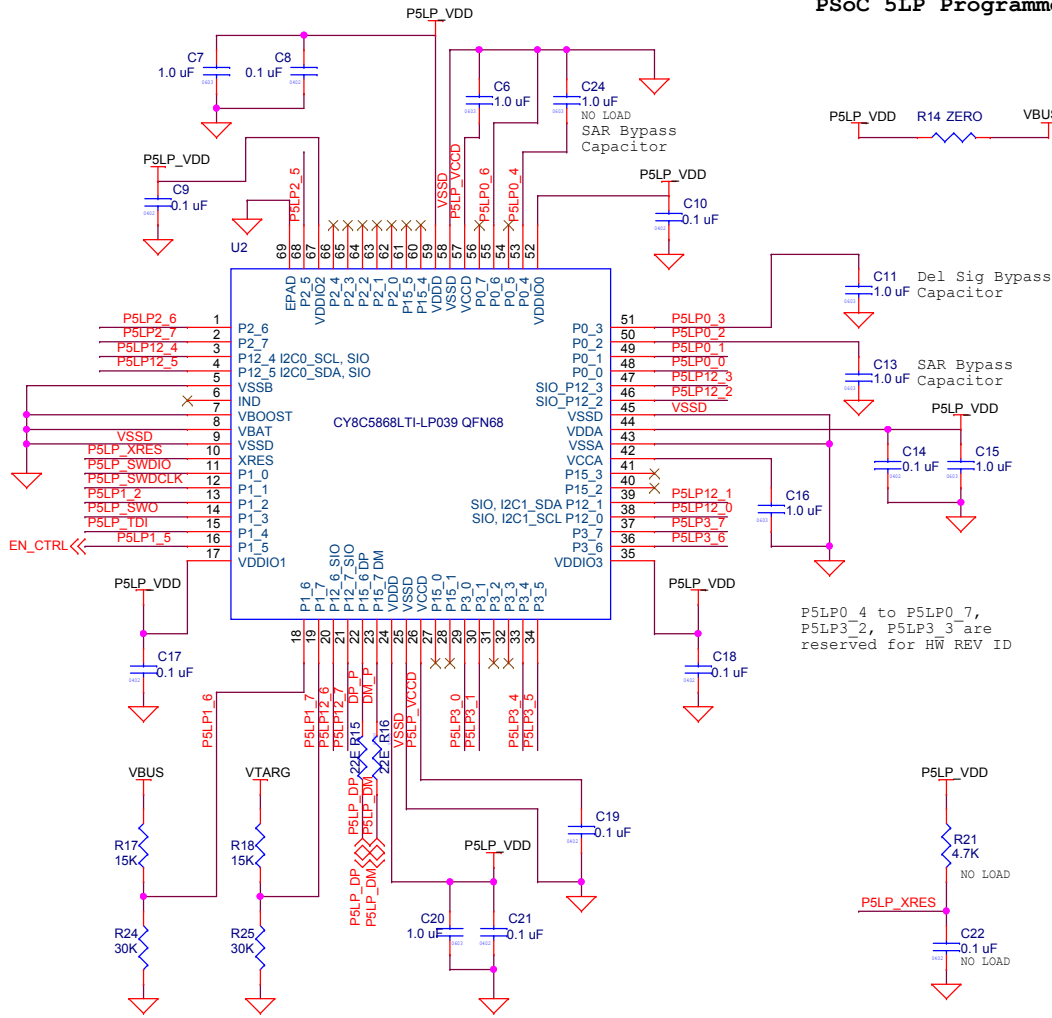
PSoc 5LP and PSoc 4 BLE/ProC BLE Connections



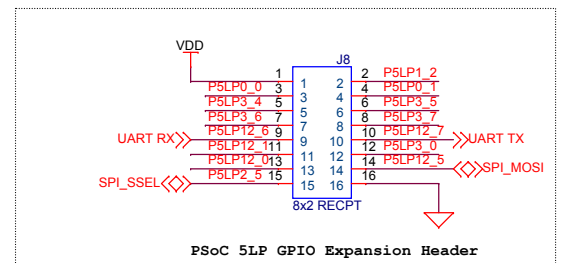
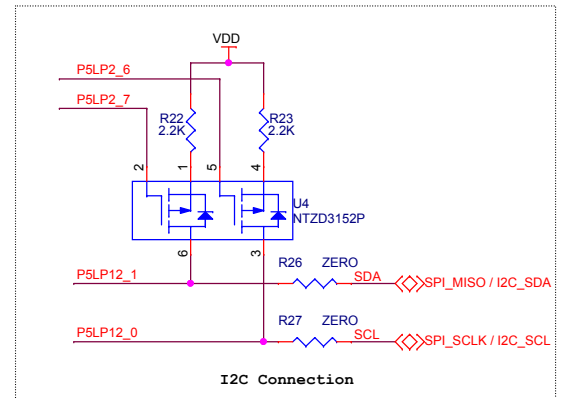
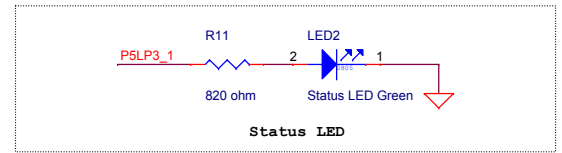
PCA: 121-60329-01
PCB: 600-60352-01
FAB DRW: 610-60315-01
ASSY DRW: 620-60321-01

CYPRESS SEMICONDUCTOR © 2016		
Title		
CY8CKIT-042-BLE-A Pioneer Baseboard		
Size	Document Number	Rev
B	630-60325-01	07
Date:	Thursday, March 24, 2016	Sheet 3 of 4

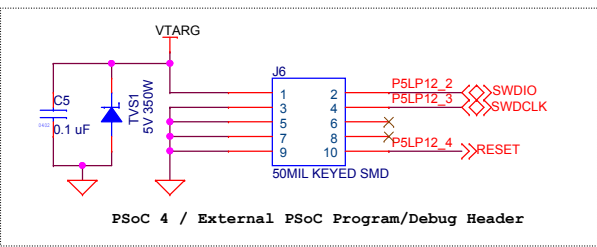
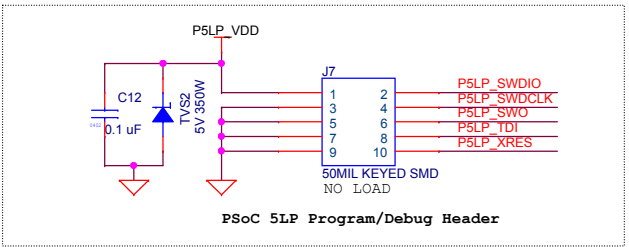
PSoc 5LP Programmer / Debugger



P5LP0 4 to P5LP0 7,
P5LP3 2, P5LP3 3 are reserved for HW REV ID



- USB-Serial Bridge Connections**
- P5LP12_6 ----- UART RX
 - P5LP12_7 ----- UART TX
 - P5LP12_0 ----- SPI SCLK / I2C SCL
 - P5LP12_1 ----- SPI MISO / I2C SDA
 - P5LP12_5 ----- SPI MOSI
 - P5LP2_5 ----- SPI SSEL



PCA: 121-60329-01
PCB: 600-60352-01
FAB DRW: 610-60315-01
ASSY DRW: 620-60321-01

CYPRESS SEMICONDUCTOR © 2016		
Title		
CY8CKIT-042-BLE-A Pioneer Baseboard		
Size	Document Number	Rev
B	630-60325-01	07
Date:	Thursday, March 24, 2016	Sheet 4 of 4