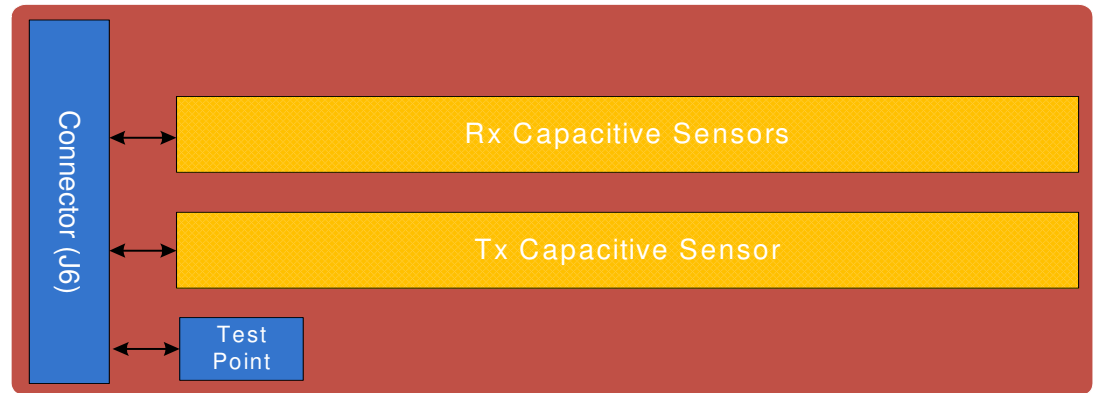


Liquid Level Sensor Shield

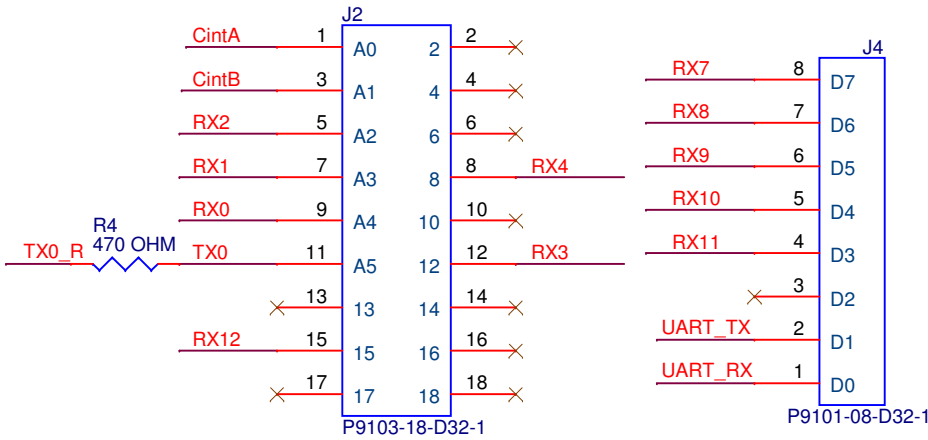
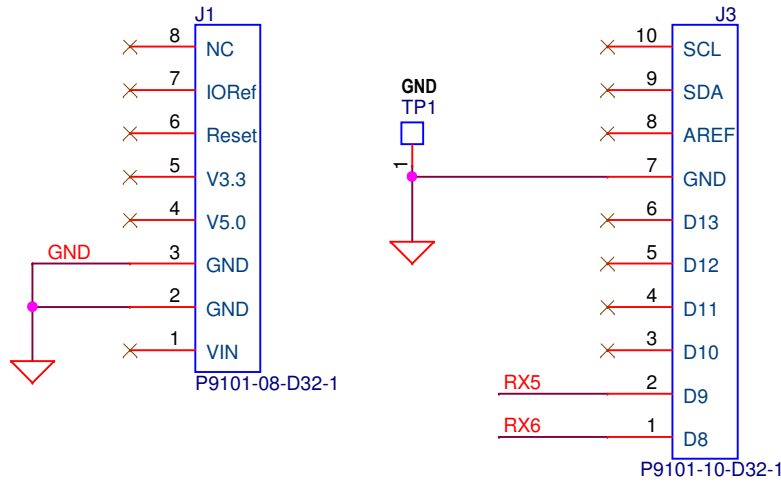


Liquid Level Sensor Flex

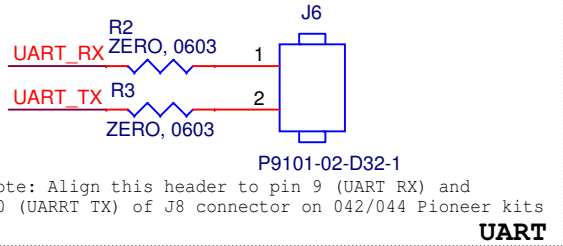
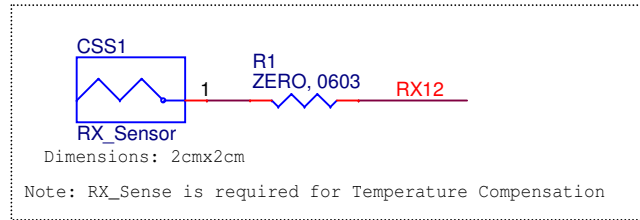
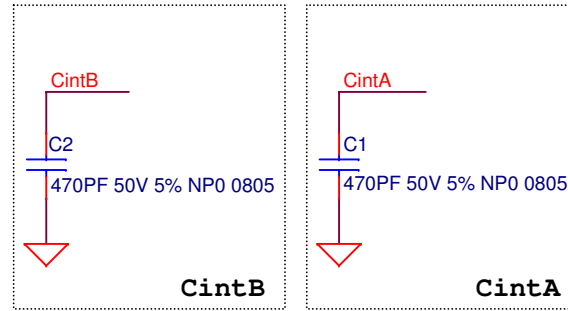
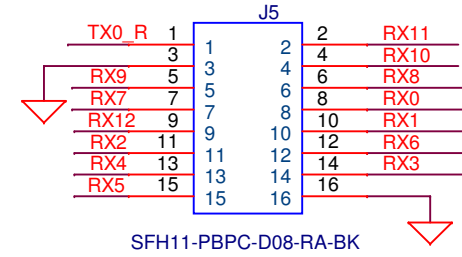


PCA: 121-60255-01
 PCB: 600-60288-01
 FAB DRW: 610-60279-01
 ASSY DRW: 620-60287-01

CYPRESS SEMICONDUCTOR © 2015		
Title		
CY8CKIT-022 PSoC® Liquid Level Sensing Shield		
Size	Document Number	Rev
A	630-60285-01	05
Date:	Thursday, November 26, 2015	Sheet 1 of 2



Arduino Headers



Note: Align this header to pin 9 (UART RX) and 10 (UART TX) of J8 connector on 042/044 Pioneer kits

PCA: 121-60255-01
 PCB: 600-60288-01
 FAB DRW: 610-60279-01
 ASSY DRW: 620-60287-01

CYPRESS SEMICONDUCTOR © 2015		
Title		
CY8CKIT-022 PSoC® Liquid Level Sensing Shield		
Size A	Document Number	Rev
	630-60285-01	05
Date:	Thursday, November 26, 2015	Sheet 2 of 2