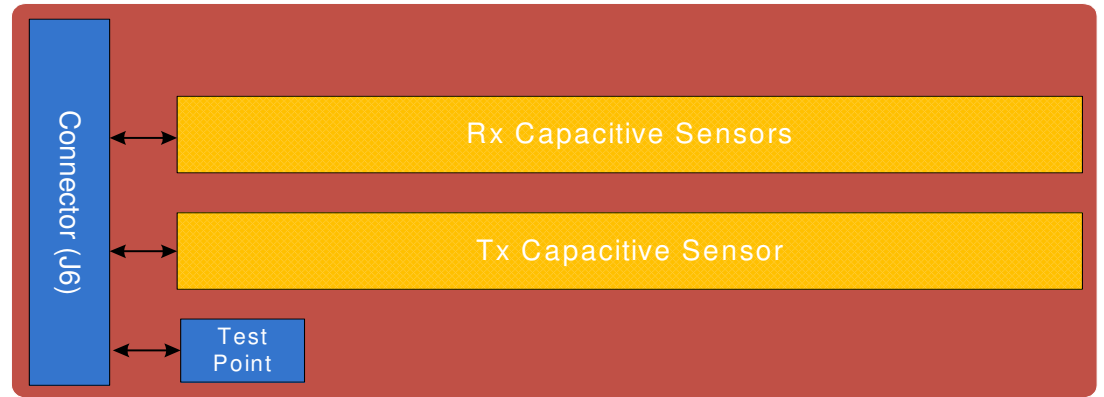


Liquid Level Sensor Shield

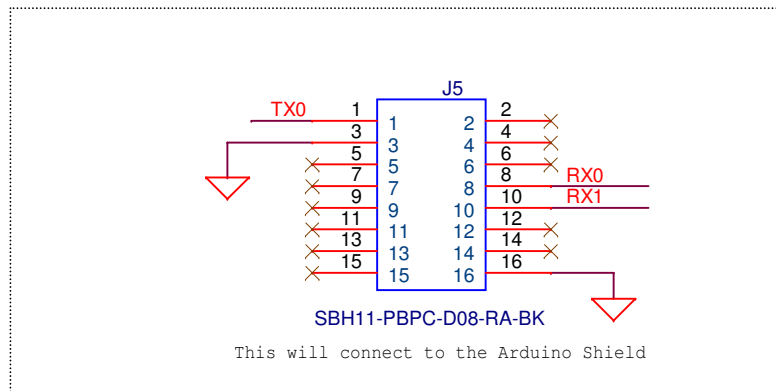
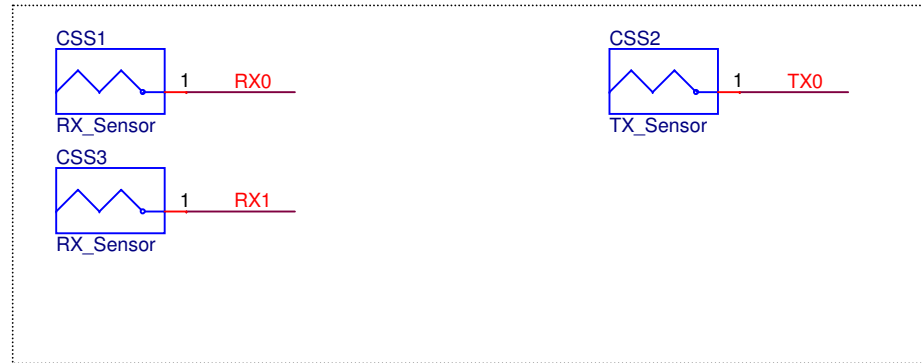


Liquid Level Sensor Flex



PCA: 121-60256-01
 PCB: 600-60289-01
 FAB DRW: 610-60280-01
 ASSY DRW: 620-60288-01

CYPRESS SEMICONDUCTOR © 2015		
Title		
CY8CKIT-022 CapSense® Liquid Level Sensing 2 Sensor Flex		
Size A	Document Number 630-60286-01	Rev 04
Date:	Thursday, November 26, 2015	Sheet 1 of 2



PCA: 121-60256-01
 PCB: 600-60289-01
 FAB DRW: 610-60280-01
 ASSY DRW: 620-60288-01

CYPRESS SEMICONDUCTOR © 2015		
Title		
CY8CKIT-022 CapSense® Liquid Level Sensing 2 Sensor Flex		
Size	Document Number	Rev
A	630-60286-01	04
Date:	Thursday, November 26, 2015	Sheet 2 of 2