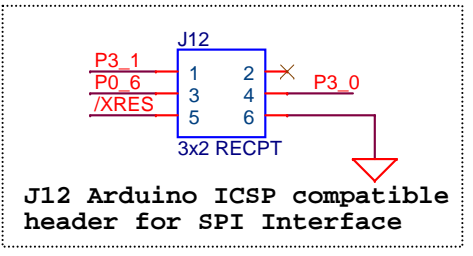
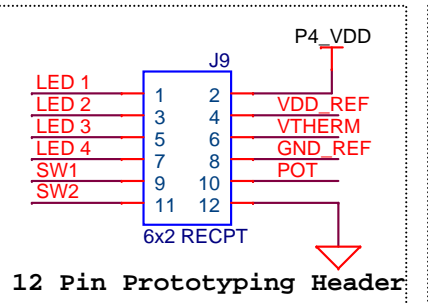


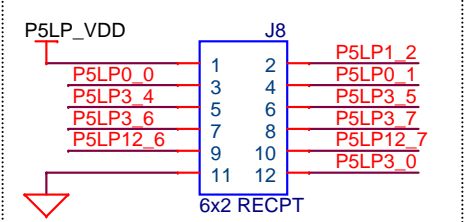
**(J1-J4) Arduino Stackable Headers**



**J12 Arduino ICSP compatible header for SPI Interface**

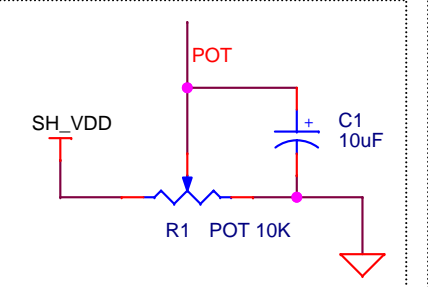


**12 Pin Prototyping Header**

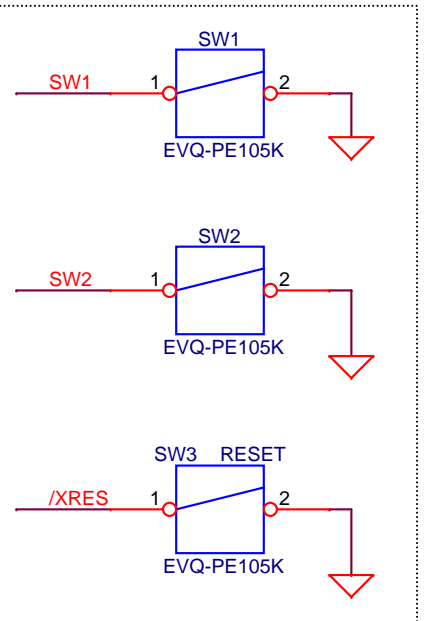


NOTE: The PSoC 5LP Pins on J8 only bring out the Pins from the Pioneer Kit and they are not connected anywhere else in this board.

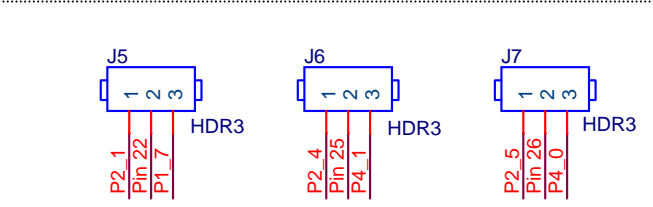
**PSoC 5LP GPIO Extension Header**



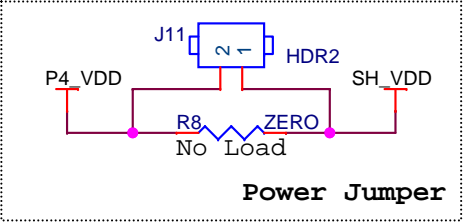
**Potentiometer**



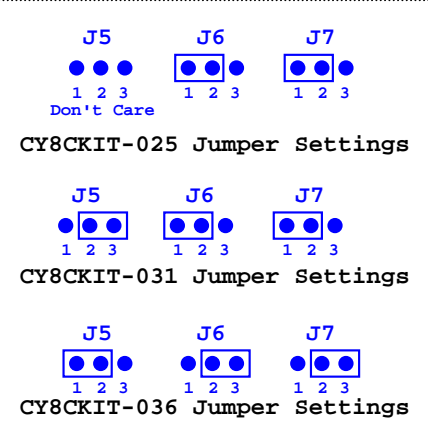
**Push Buttons**



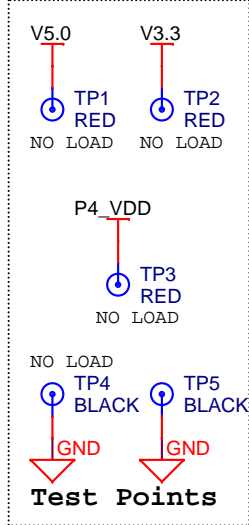
**3 Pin Jumpers**



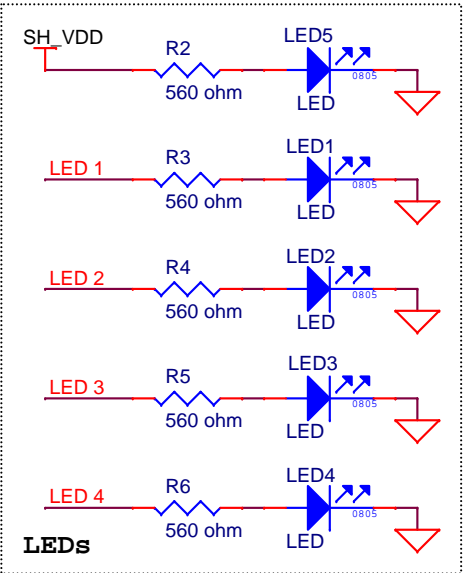
**Power Jumper**



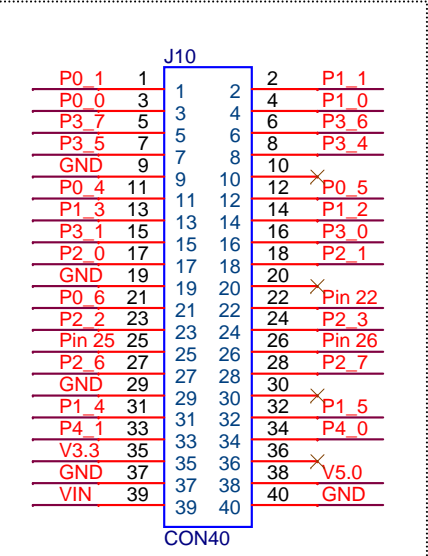
**Jumper Settings for different EBKs**



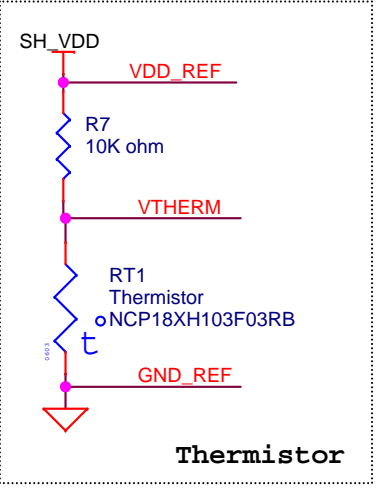
**Test Points**



**LEDs**



**EBK Expansion Connector**



**Thermistor**

PCA: 121-60144-01  
PCB: 600-60182-01  
FAB DRW: 610-60175-01  
ASSY DRW: 620-60182-01

<b>CYPRESS SEMICONDUCTOR © 2013</b>		
Title		
<b>CY8CKIT-019 Pioneer Shield</b>		
Size A	Document Number <b>630-60178-01</b>	Rev <b>01</b>
Date:	Monday, December 02, 2013	Sheet 1 of 1