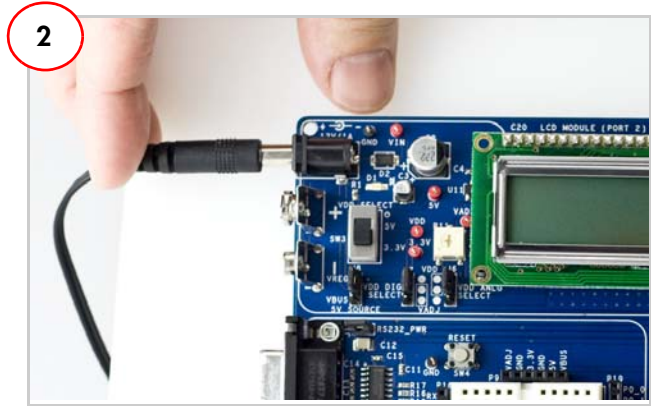


## PSoC Development Board Self Test



Remove the PSoC Development Board from the kit package.



Connect the AC power adapter.



After self test, read the success message on the LCD screen.



### Select an Architecture

- PSoC 1: Insert the “PSoC 1 Software” CD and jump to step 5.
- PSoC 3/PSoC 5LP: Insert the “PSoC 3/PSoC 5LP Software” CD and jump to step 6.



### For PSoC 1 Development

- View the kit user's guide.
- Install the PSoC 1 software.

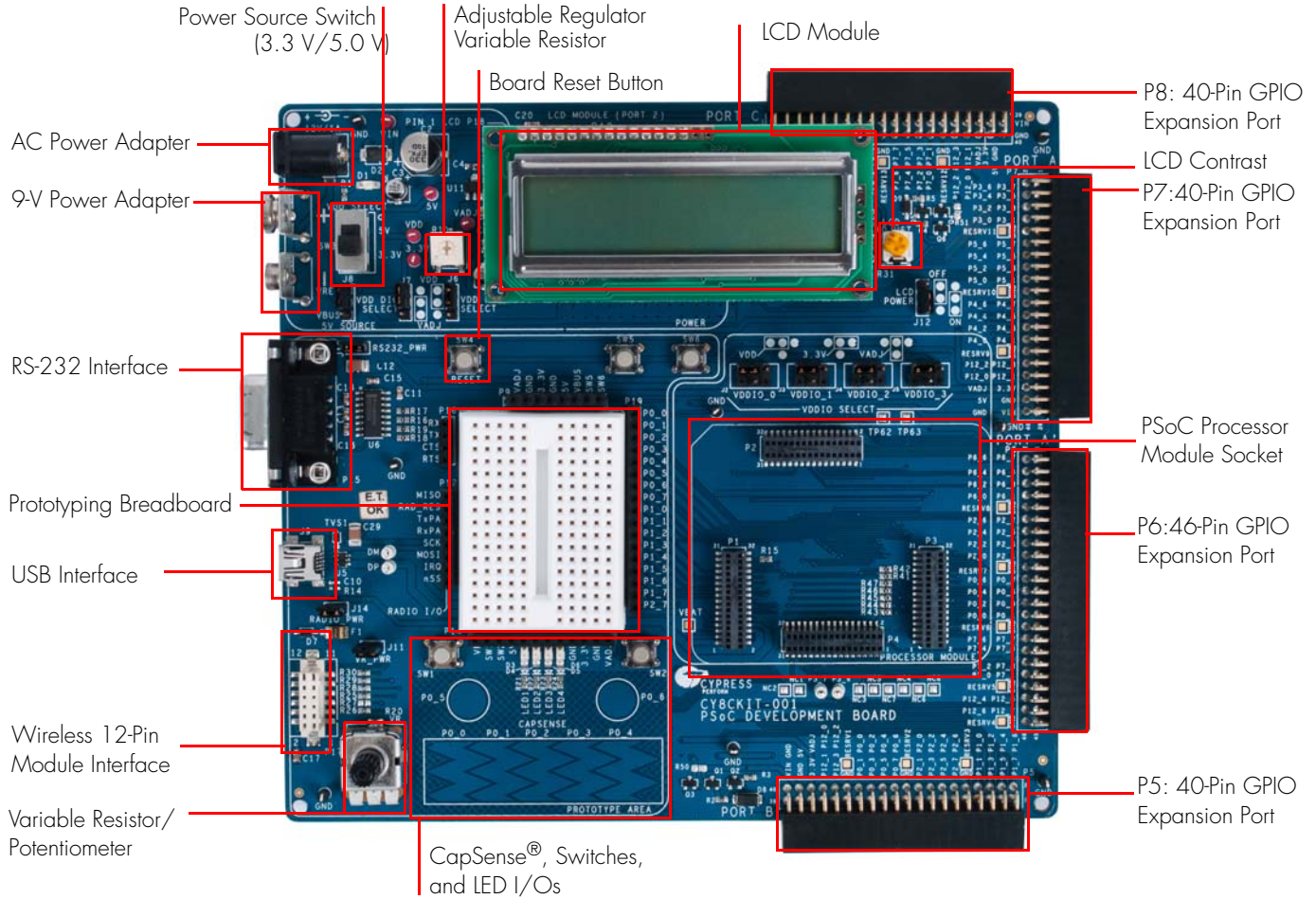


### For PSoC 3/PSoC 5LP Development

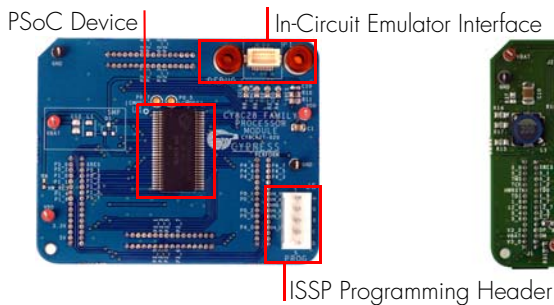
- View the kit user's guide.
- Install the PSoC 3/PSoC 5LP software.

# PSoC DEVELOPMENT KIT QUICK START GUIDE

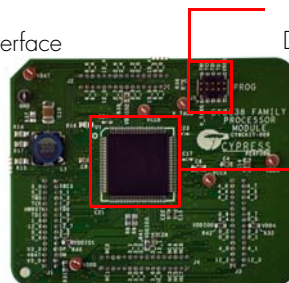
## PSoC Development Board



### PSoC CY8C28 Family Processor Module



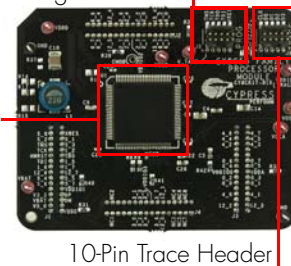
### PSoC CY8C38 Family Processor Module



### PSoC CY8C58LP Family Processor Module

10-Pin JTAG/SWD/SWW

Debug and Programming Header



### Kit Revision

To know if you are using the latest kit, look for the kit revision in the white sticker on the bottom left on the back side of the kit box. If the revision reads CY8CKIT001C, then congratulations, you own the latest version. You can also check the silicon marketing part number on the processor module; the part number should be CY8C3866AXI-040. This kit is equipped with production PSoC 3 silicon.

For the latest information about this kit, visit  
<http://www.cypress.com/go/CY8CKIT001>

