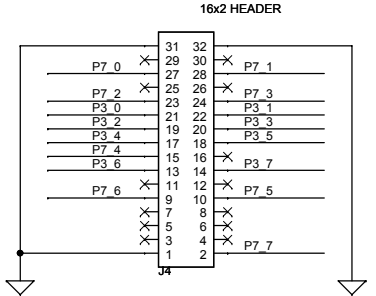
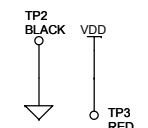
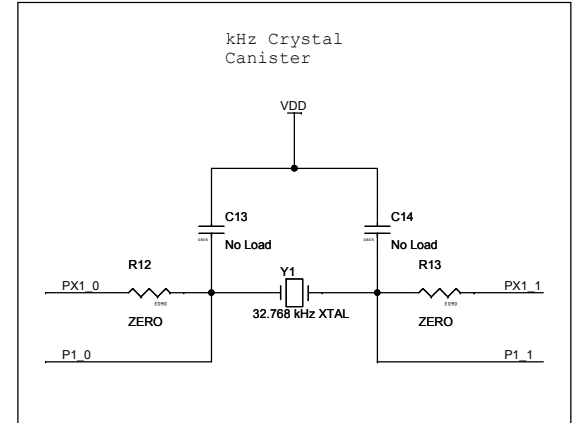
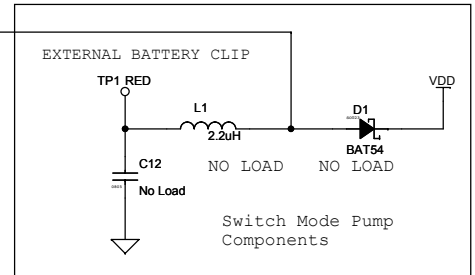
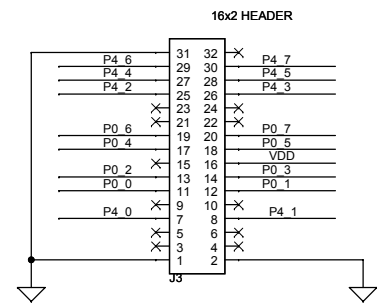
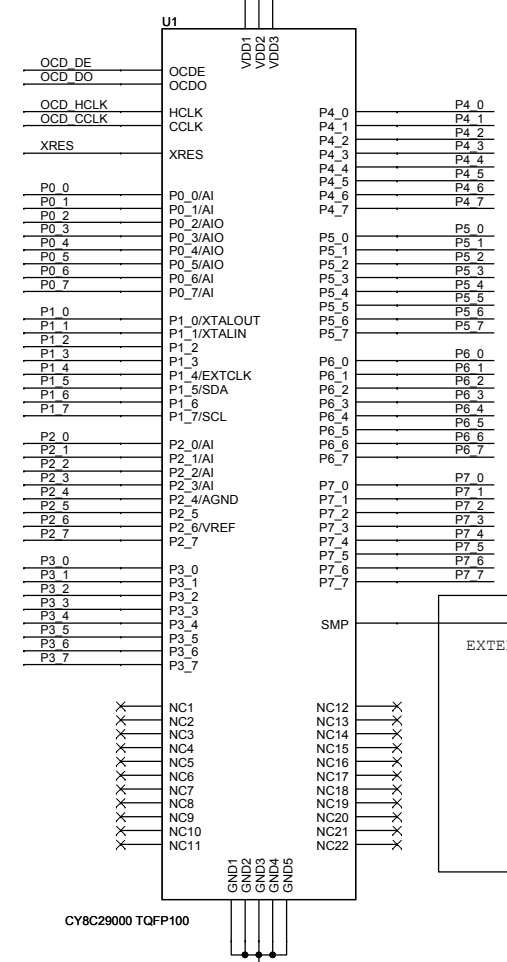
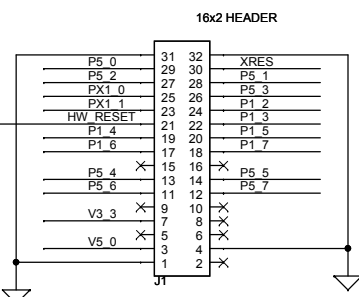
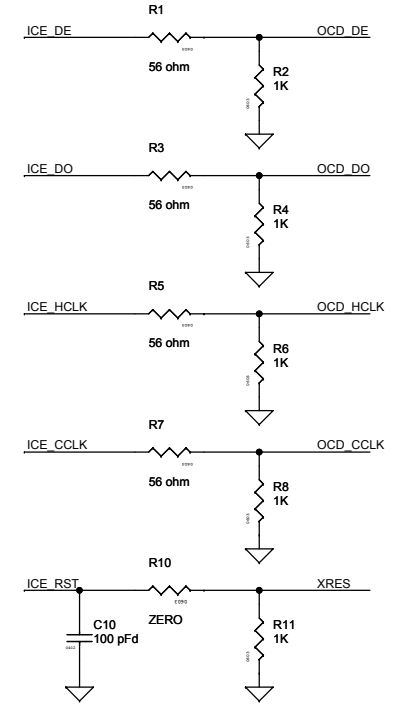
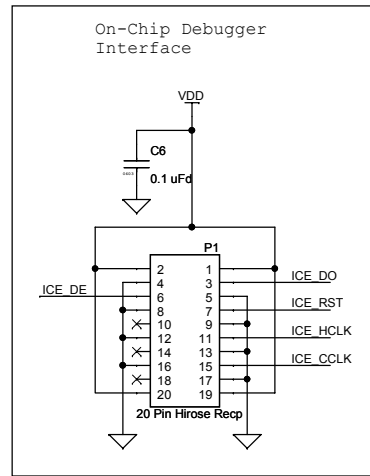
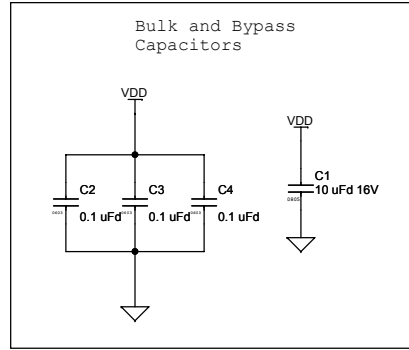
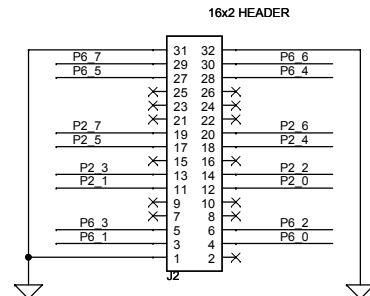
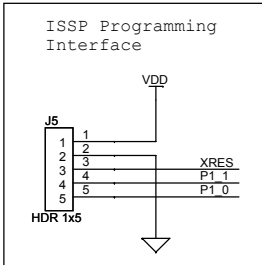


CY8C29 FAMILY
PROCESSOR MODULE



PDCR-9464 REV *A
121R-46400 REV *B

| | | |
|---|------------------------------|-----------|
| Title CY8C29 Family Processor Module | | |
| Size C | Document Number REF-14742 | Rev *B |
| Date: Thursday, August 06, 2009 | Sheet 1 | of 1 |