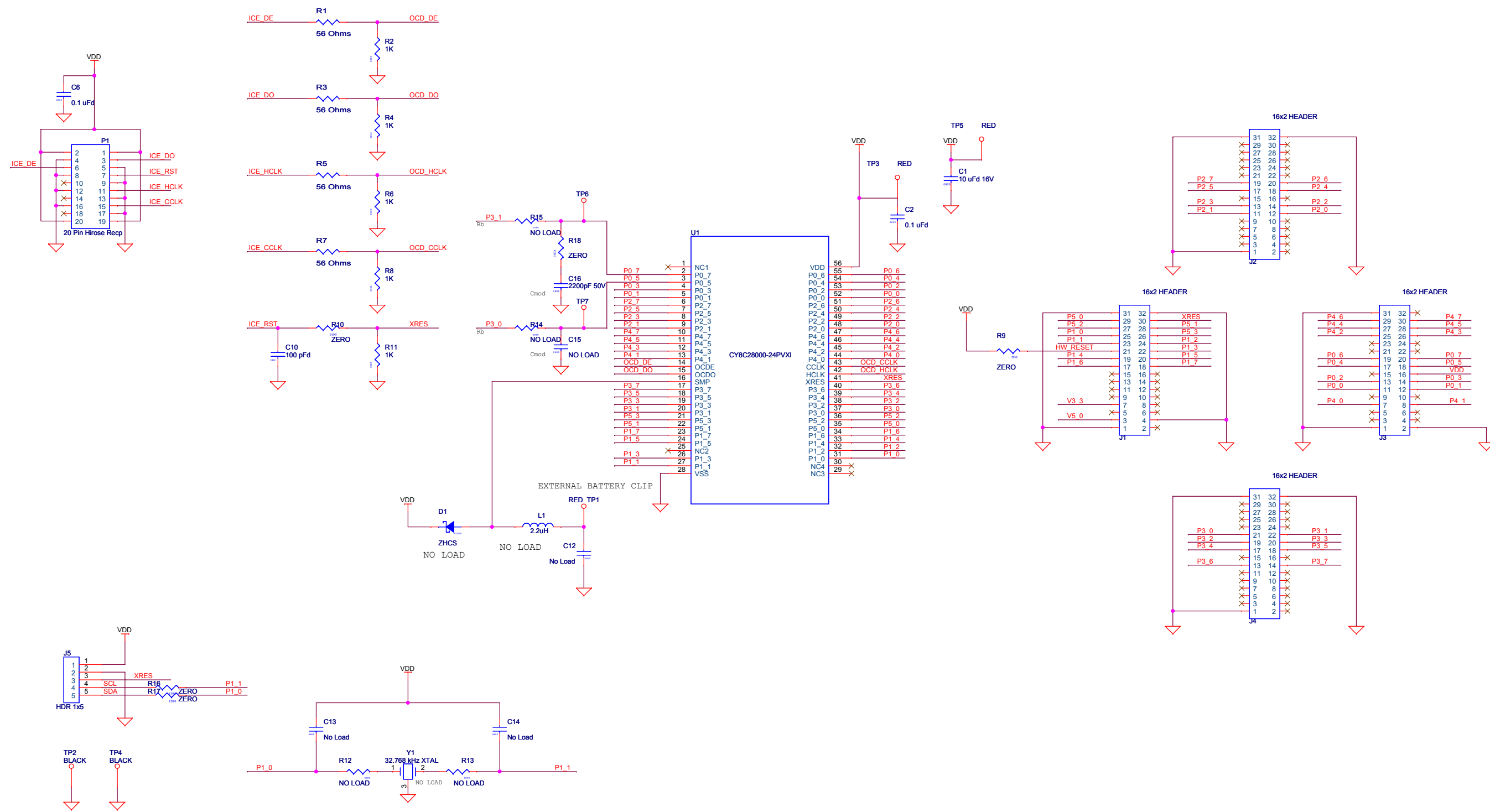


CY8CKIT-020 28xxx PROCESSOR MODULE (EMERALD)



<b>CYPRESS SEMICONDUCTOR © 2009</b>		
Title: CY8CKIT-020 28XXX Processor Module (Emerald)		
Size: C	Document Number: REF-15052	Rev: **
Date: Monday, October 26, 2009	Sheet: 1	of 1