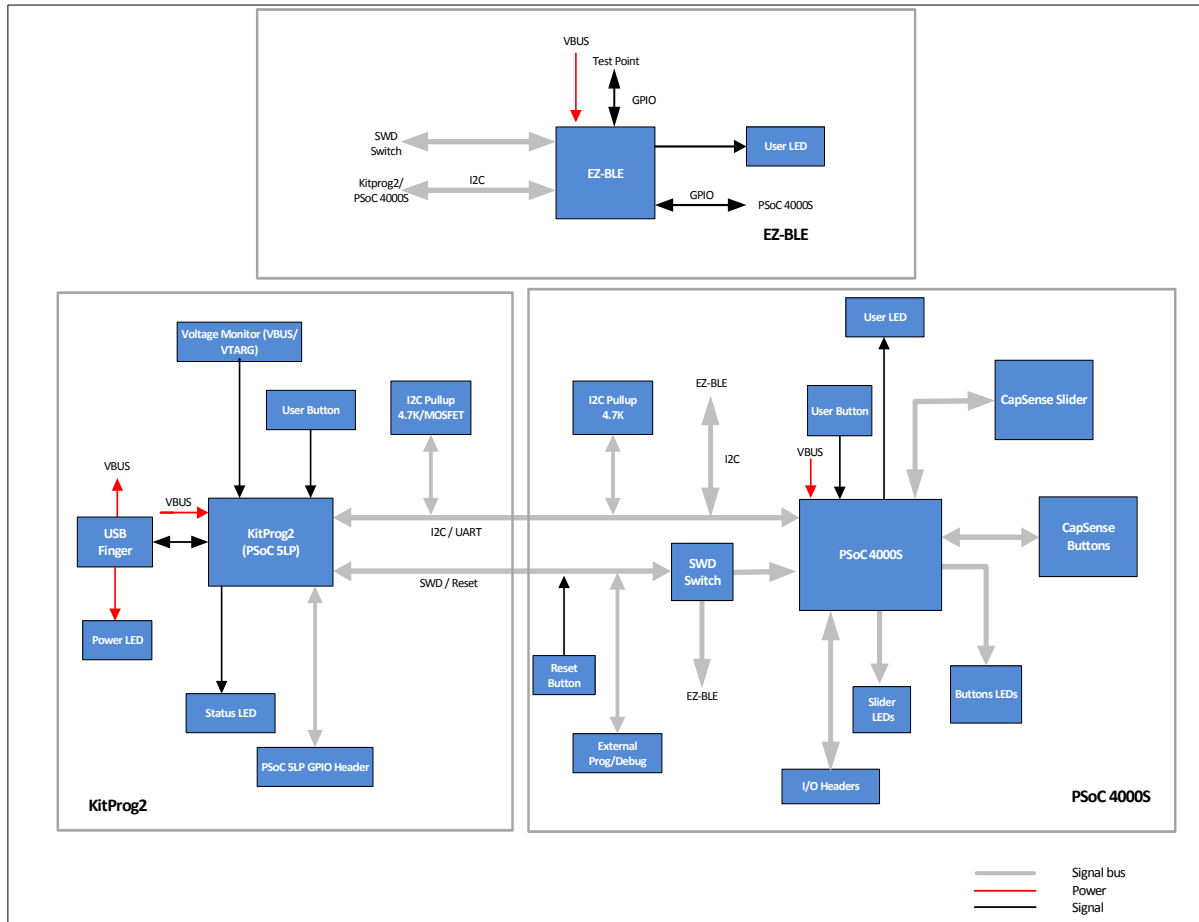


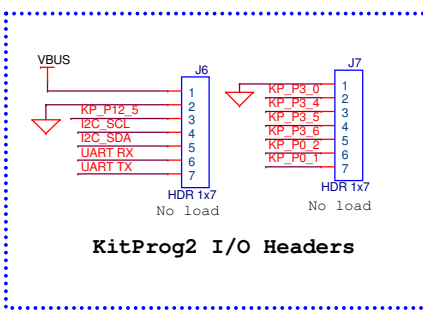
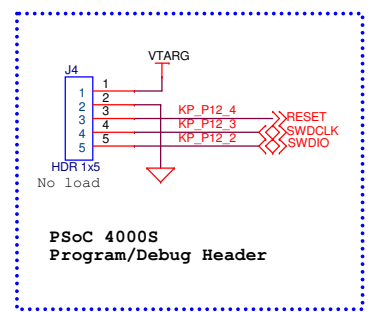
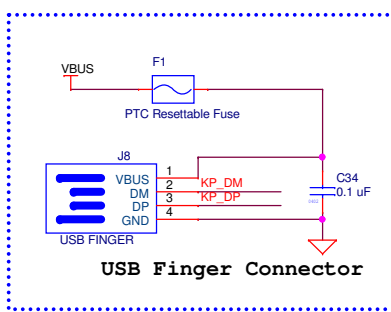
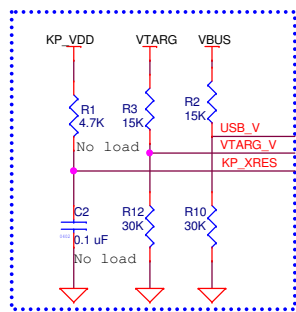
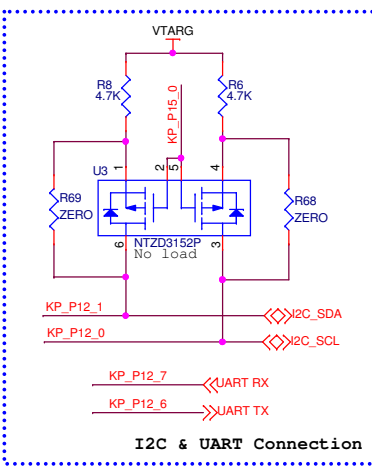
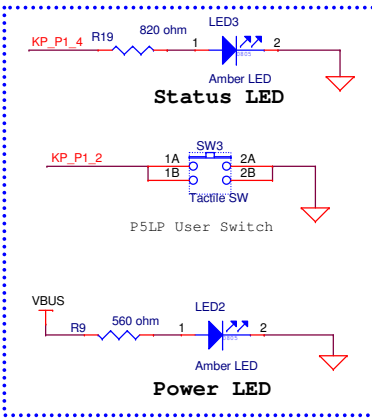
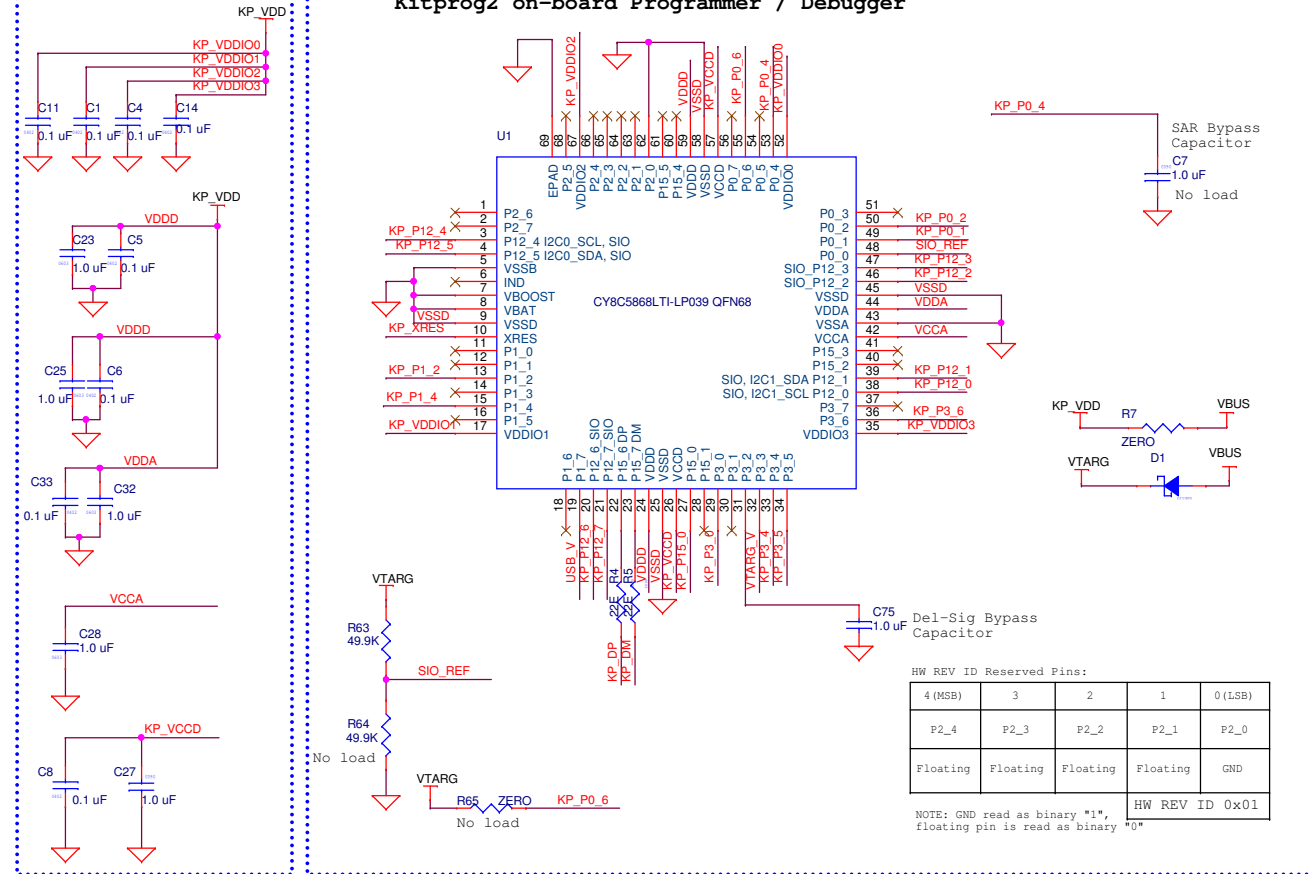
CY8CKIT-145-40XX PSoC 4000S Prototyping Kit Block Diagram



PCA: 121-60298-01
 PCB: 600-60320-01
 FAB DRW: 610-60295-01
 ASSY DRW: 620-60303-01

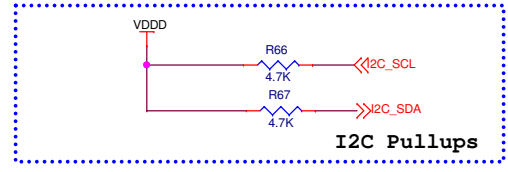
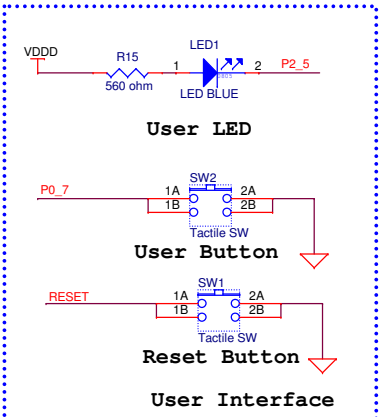
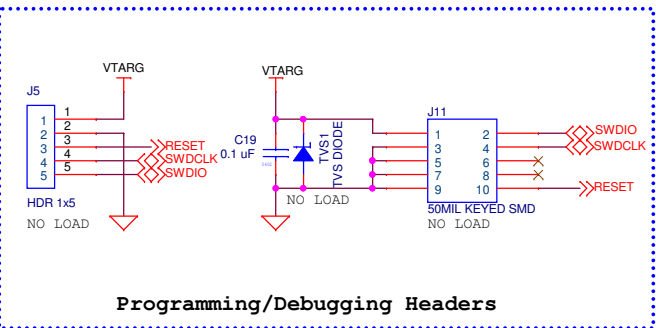
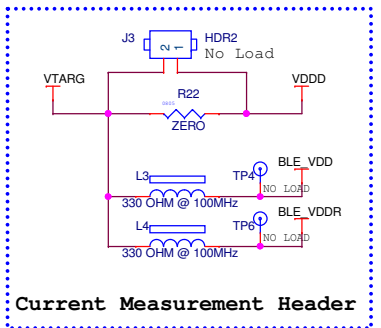
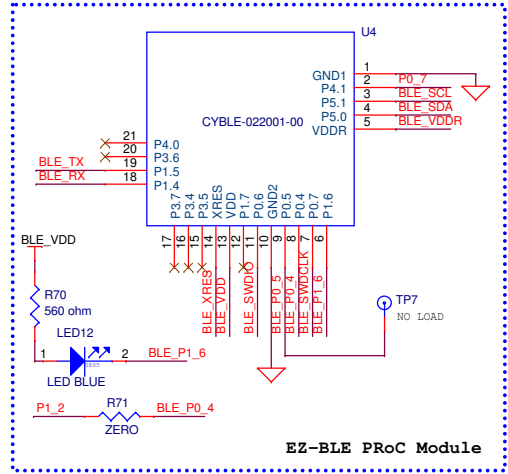
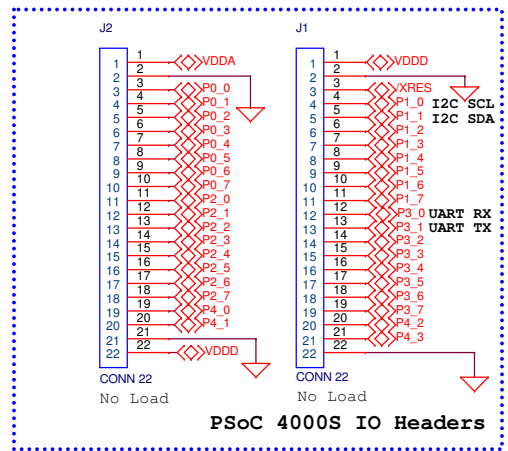
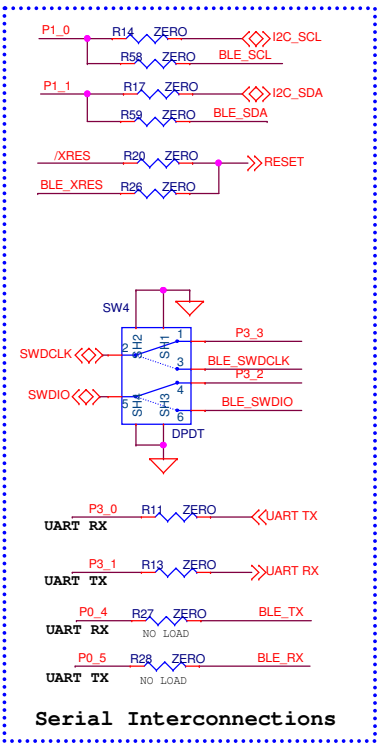
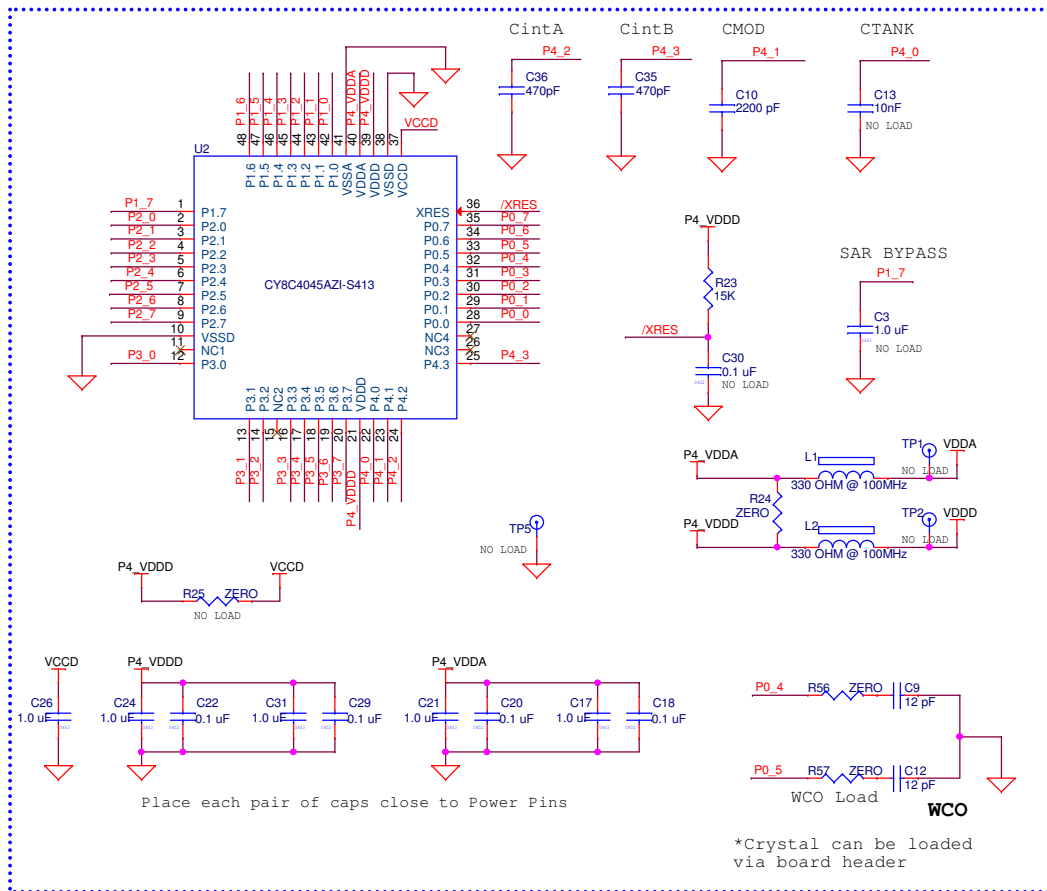
CYPRESS SEMICONDUCTOR © 2016		
Title CY8CKIT-145-40XX PSoC 4000S Prototyping Kit		
Size B	Document Number 630-60301-01	Rev 12
Date:	Thursday, September 01, 2016	Sheet 1 of 4

Kitprog2 on-board Programmer / Debugger



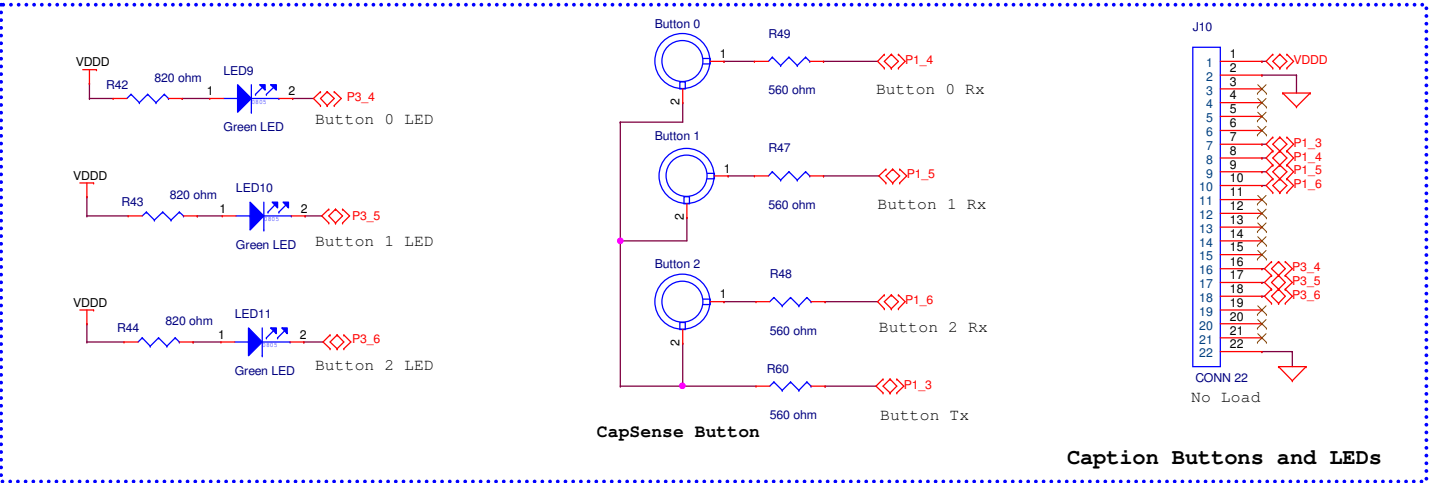
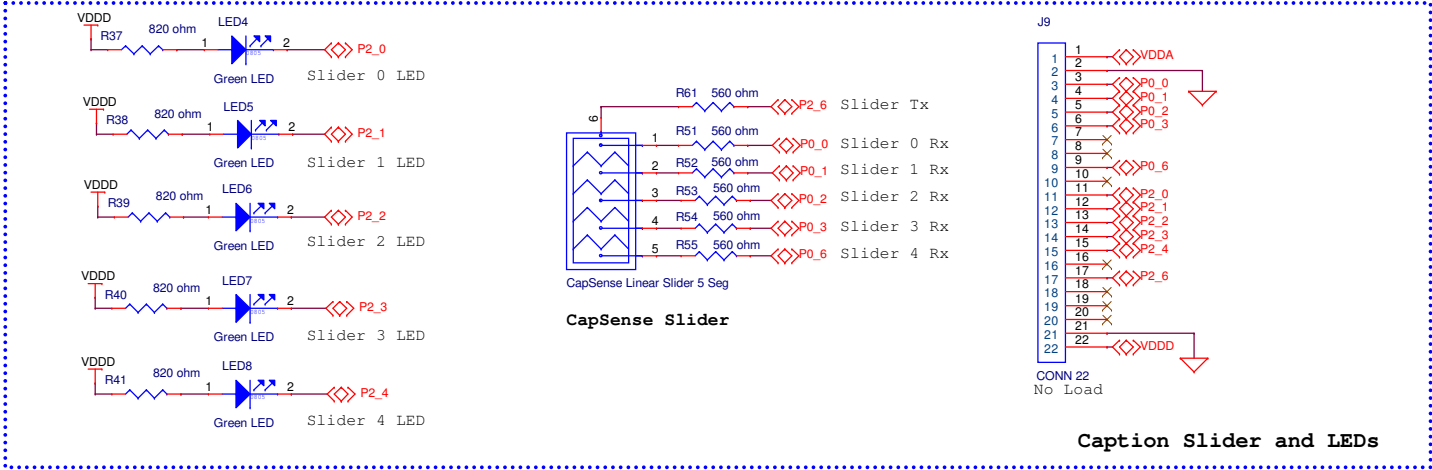
PCA: 121-60298-01
 PCB: 600-60320-01
 FAB DRW: 610-60295-01
 ASSY DRW: 620-60303-01

CYPRESS SEMICONDUCTOR © 2016		
Title	CY8CKIT-145-40XX PSoc 4000S Prototyping Kit	
Size B	Document Number	Rev
	630-60301-01	12
Date:	Thursday, September 01, 2016	Sheet 2 of 4



CYPRESS SEMICONDUCTOR © 2016		
Title	CY8CKIT-145-40XX PSoC 4000S Prototyping Kit	
Size	Document Number	Rev
B	630-60301-01	12
Date:	Tuesday, August 30, 2016	Sheet 3 of 4

PCA: 121-60298-01
 PCB: 600-60320-01
 FAB DRW: 610-60295-01
 ASSY DRW: 620-60303-01



PCA: 121-60298-01
 PCB: 600-60320-01
 FAB DRW: 610-60295-01
 ASSY DRW: 620-60303-01

CYPRESS SEMICONDUCTOR © 2016		
Title		
CY8CKIT-145-40XX PSoC 4000S Prototyping Kit		
Size	Document Number	Rev
B	630-60301-01	12
Date:	Tuesday, August 30, 2016	Sheet 4 of 4