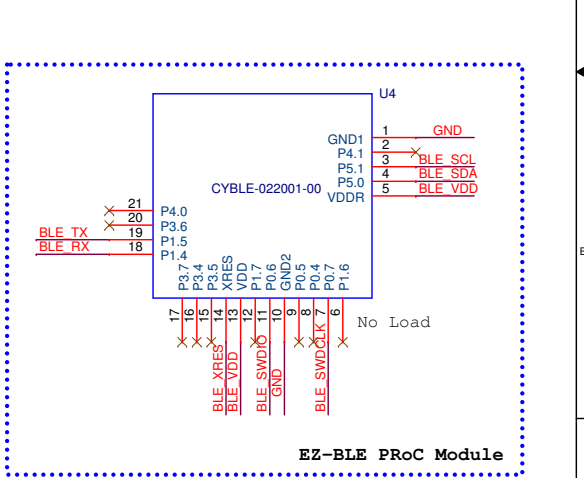
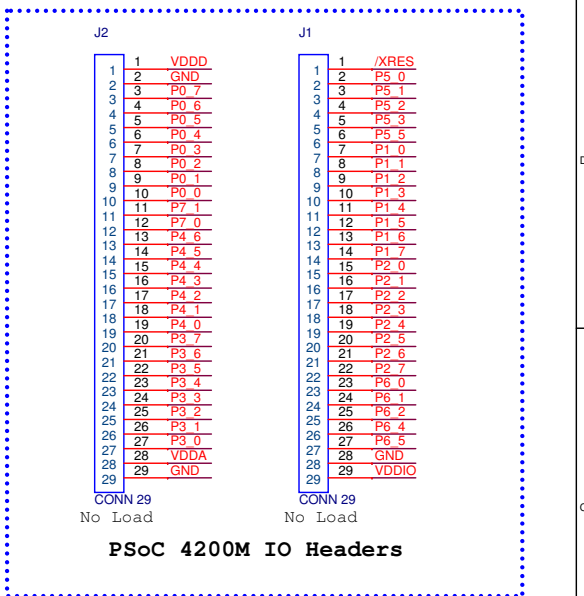
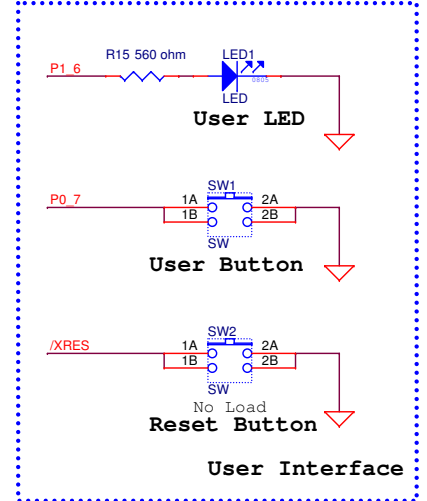
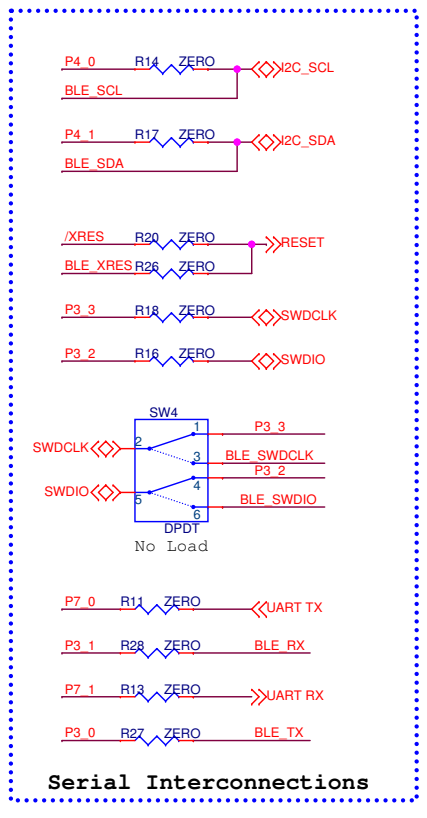
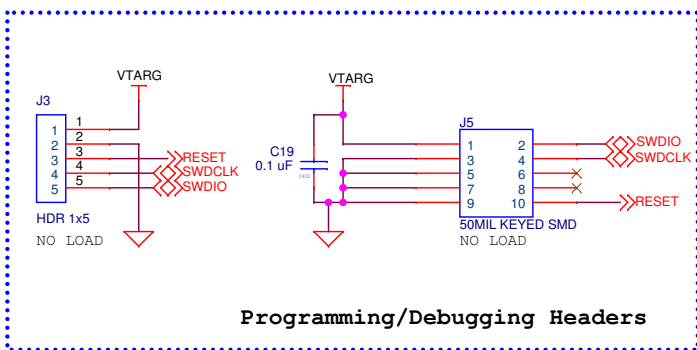
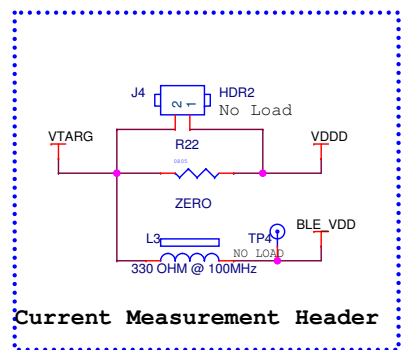
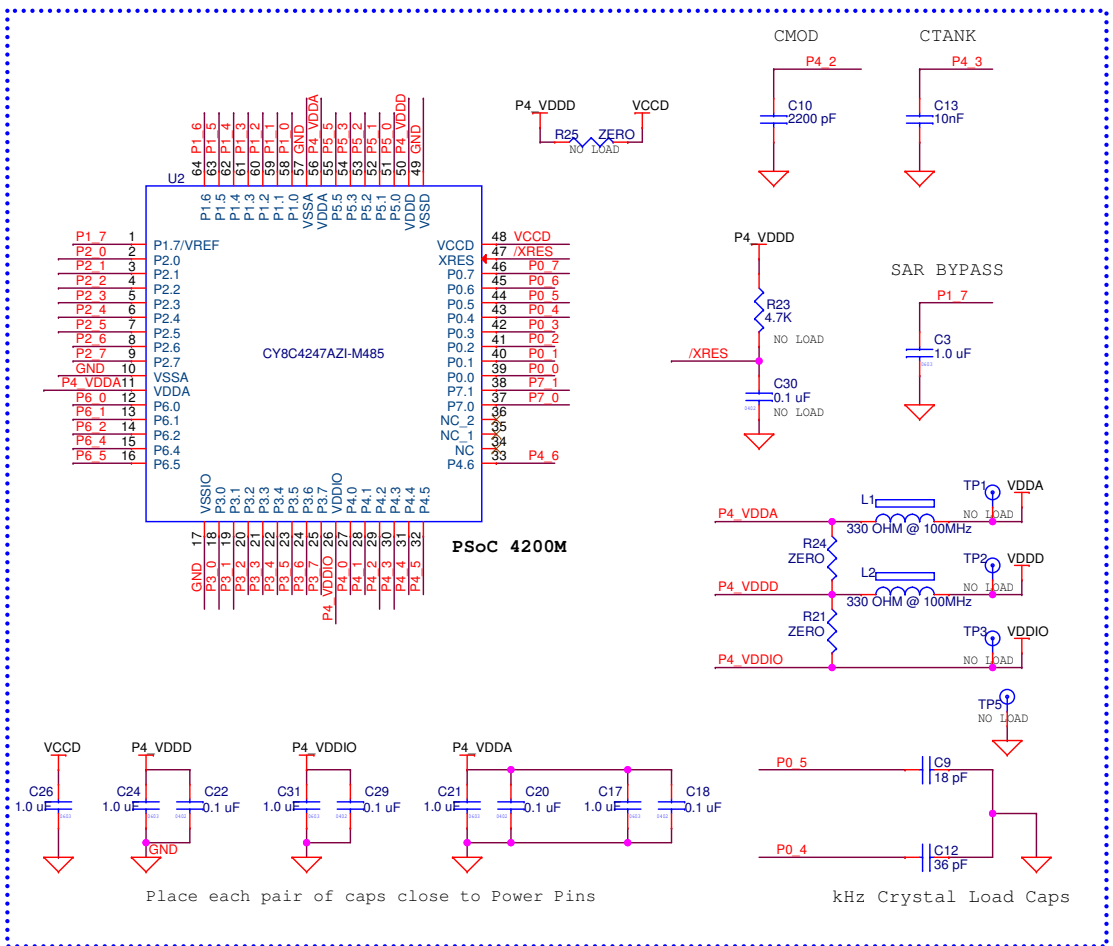


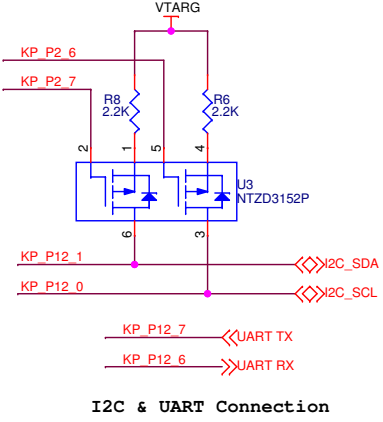
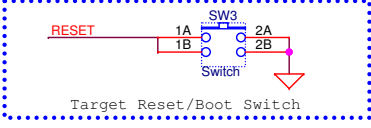
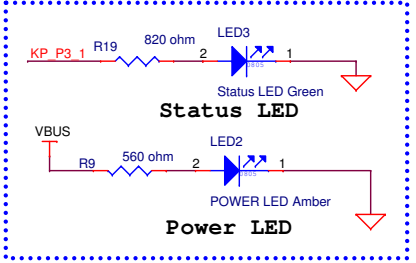
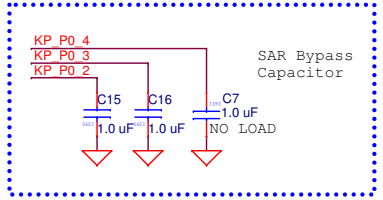
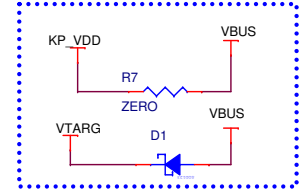
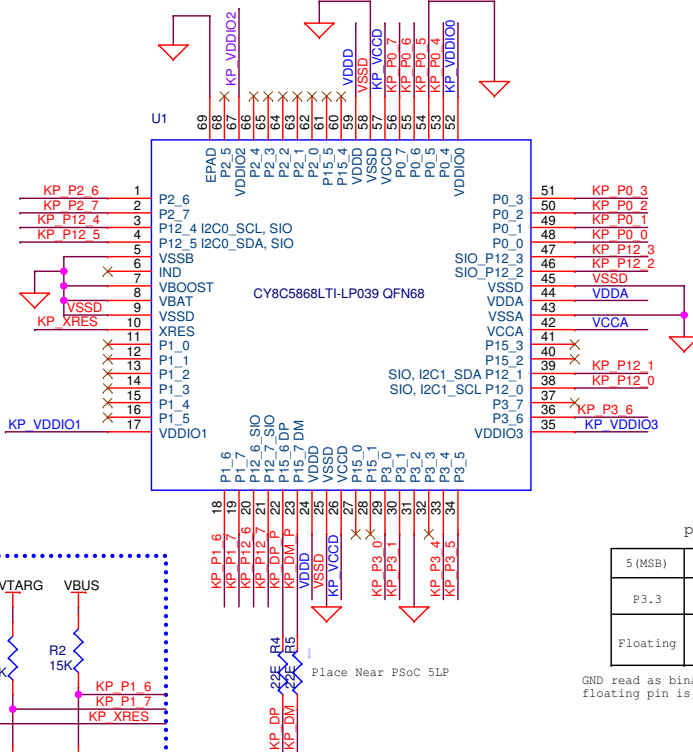
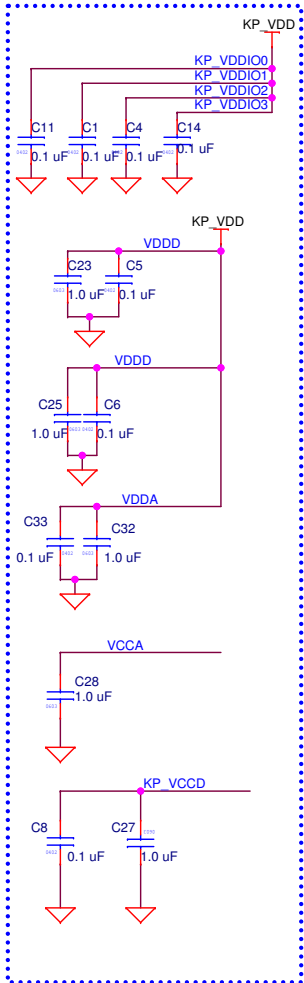
| | | |
|-------------------------------------------------------------|----------------------------------------|------------------|
| CYPRESS SEMICONDUCTOR © 2015 | | |
| Title CY8CKIT-043 PSoC 4 M-Series Prototyping Kit | | |
| Size A | Document Number 630-60252-01 | Rev 04 |
| Date: | Friday, June 12, 2015 | Sheet 1 of 3 |



PCA: 121-60220-01
 PCB: 600-60250-01
 FAB DRW: 610-60247-01
 ASSY DRW: 620-60255-01

| | | |
|-------------------------------------------------------------|----------------------------------------|------------------|
| CYPRESS SEMICONDUCTOR © 2015 | | |
| Title CY8CKIT-043 PSoC 4 M-Series Prototyping Kit | | |
| Size B | Document Number 630-60252-01 | Rev 04 |
| Date: Friday, June 12, 2015 | Sheet 1 | 2 of 3 |

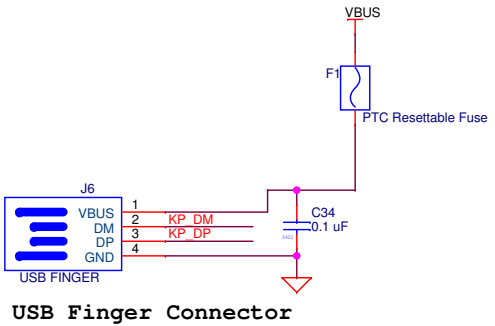
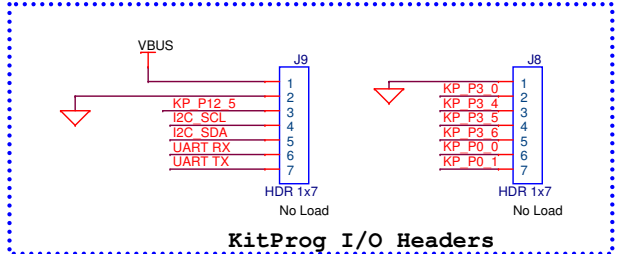
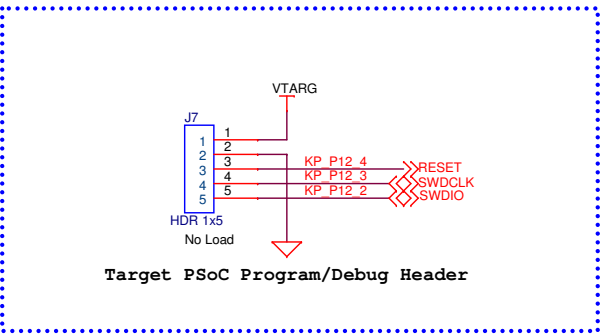
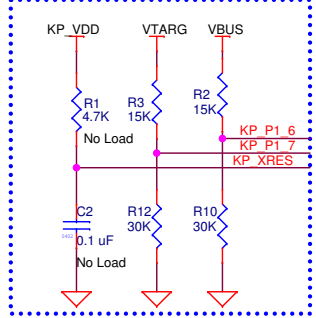
Kitprog on-board Programmer / Debugger



P3_3, P3_2, P0_7, P0_6, P0_5, P0_4 pins are reserved for HW REV ID

| | 5 (MSB) | 4 | 3 | 2 | 1 | 0 (LSB) |
|----------|---------|----------|----------|------|----------|---------|
| P3.3 | P3.2 | P0.7 | P0.6 | P0.5 | P0.4 | |
| Floating | GND | Floating | Floating | GND | Floating | |

GND read as binary "1"
floating pin is read as binary "0"



PCA: 121-60220-01
PCB: 600-60250-01
FAB DRW: 610-60247-01
ASSY DRW: 620-60255-01

| | | | |
|----------------------------------------------------|-----------------------|-------|-----------|
| CYPRESS SEMICONDUCTOR © 2015 | | | |
| Title | | | |
| CY8CKIT-043 PSoC 4 M-Series Prototyping Kit | | | |
| Size | Document Number | | Rev |
| B | 630-60252-01 | | 04 |
| Date: | Friday, June 12, 2015 | Sheet | 3 of 3 |