
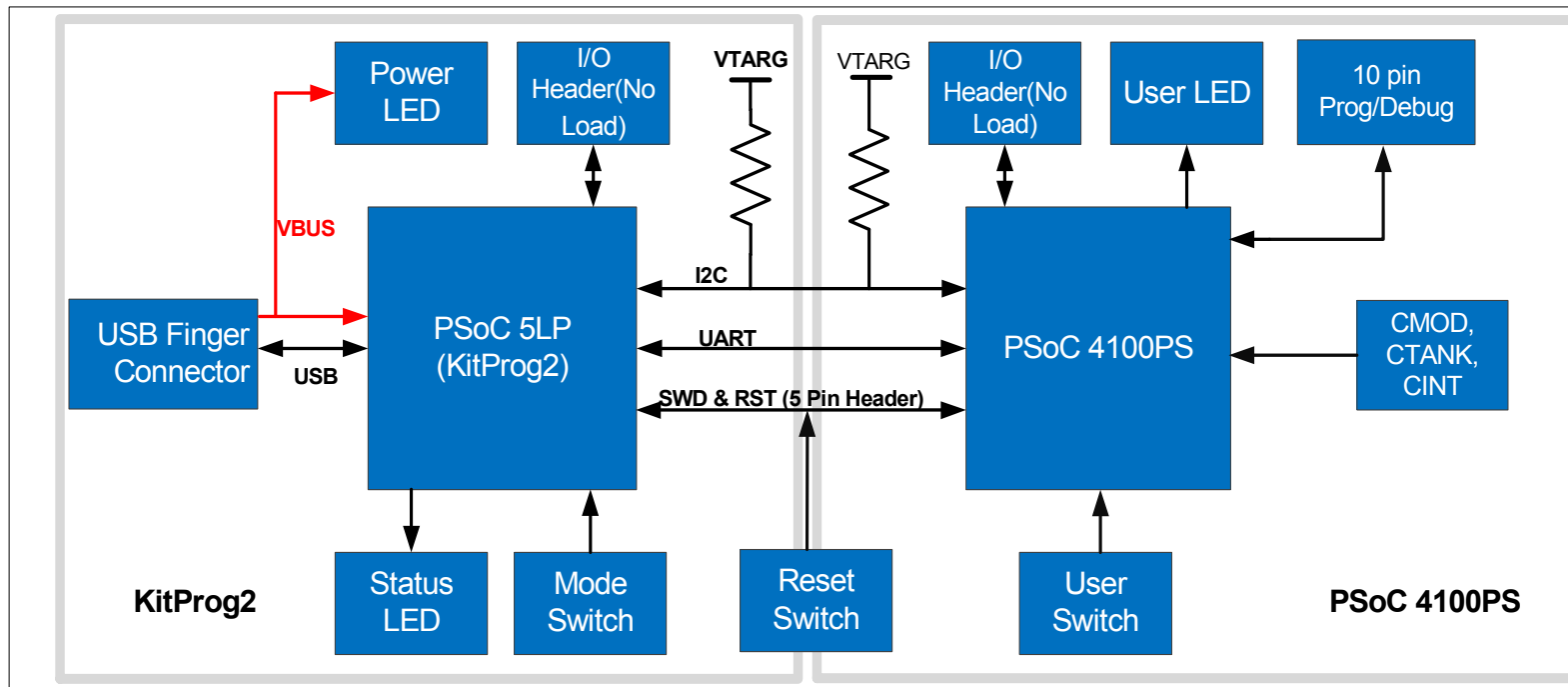


CY8CKIT-147 PSoC 4100PS Prototyping Kit

CONTENTS	
PAGE	DESCRIPTION
01	Title, Table of Contents & Drawing Numbers
02	Block Diagram
03	KitProg2
04	PSoC 4100PS
05	Revision History

Drawing Numbers	
PCBA	121-60404-01
PCB	600-60411-01
FAB DRW	610-60360-01
ASSY DRW	620-60368-01
SCH DRW	630-60382-01

		CYPRESS SEMICONDUCTOR 198 CHAMPION COURT SAN JOSE, CA 95134 (408) 943-2600		
CYPRESS SEMICONDUCTOR © 2017				
SCH Title : CY8CKIT-147 PSoC 4100PS Prototyping Kit				
Page Title : Title Page				
Size A4	Document Number 630-60382-01	Drawn By NMIT	Approved By RKAD	Rev 03
Date: Friday, March 17, 2017			Sheet 1 of 5	



CYPRESS
EMBEDDED IN TOMORROW™

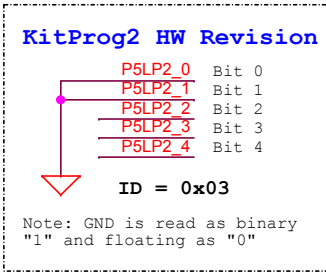
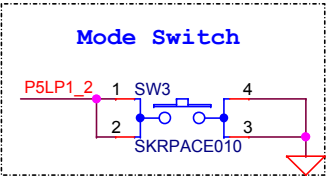
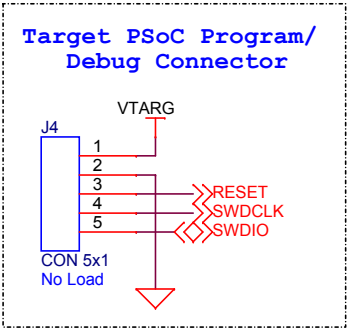
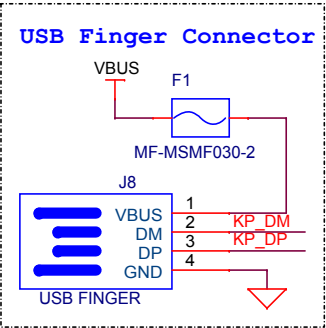
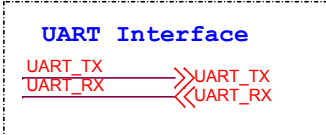
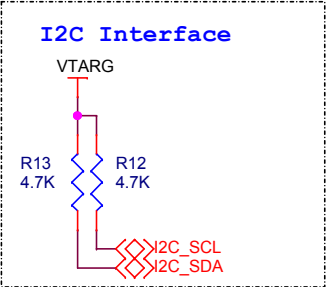
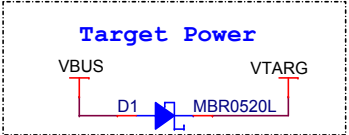
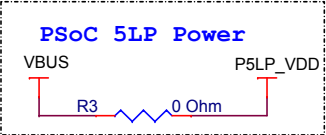
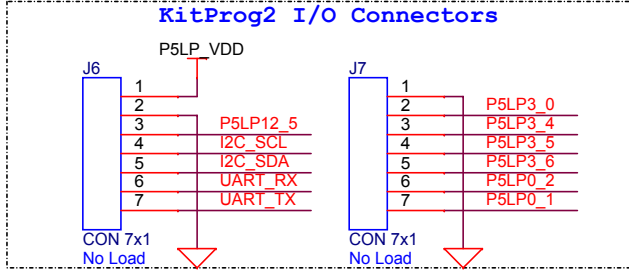
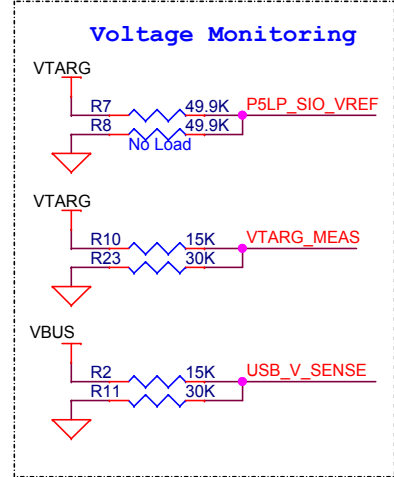
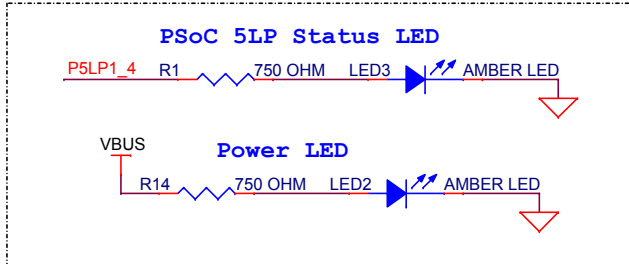
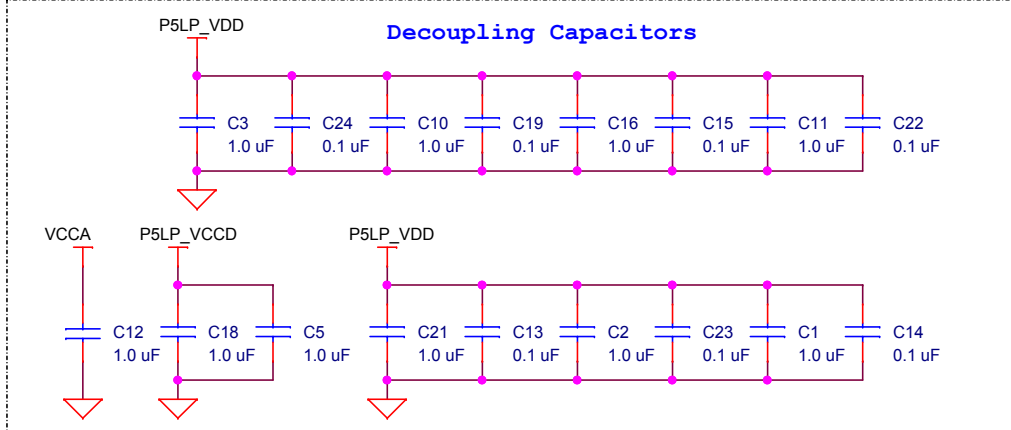
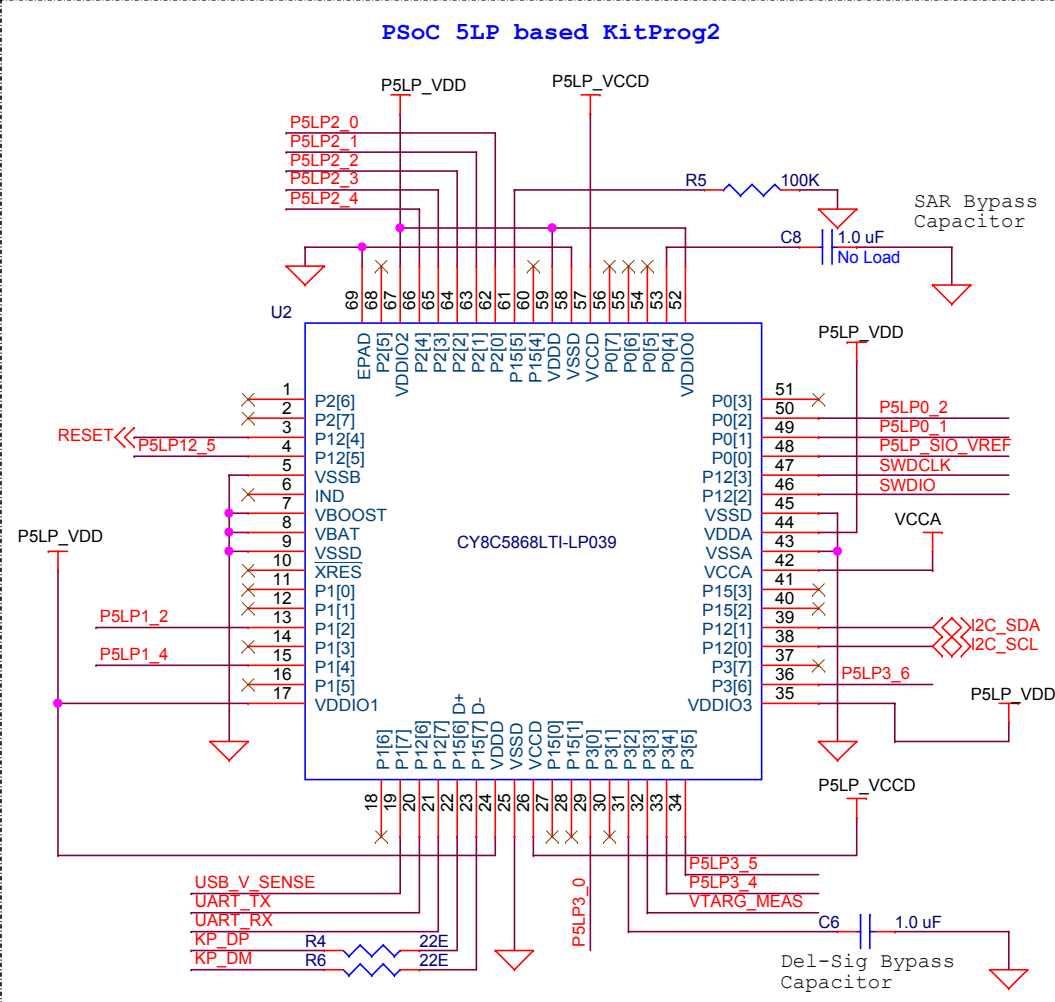
CYPRESS SEMICONDUCTOR
198 CHAMPION COURT
SAN JOSE, CA 95134
(408) 943-2600

CYPRESS SEMICONDUCTOR © 2017

SCH Title : CY8CKIT-147 PSoC 4100PS Prototyping Kit

Page Title : Block Diagram

Size A4	Document Number 630-60382-01	Drawn By NMIT	Approved By RKAD	Rev 03
Date: Friday, March 17, 2017			Sheet 2 of 5	



CYPRESS SEMICONDUCTOR © 2017				
SCH Title : CY8CKIT-147 PSoc 4100PS Prototyping Kit				
Page Title : KitProg 2				
Size A4	Document Number 630-60382-01	Drawn By NMIT	Approved By RKAD	Rev 03
Date:	Friday, March 17, 2017		Sheet	3 of 5

