
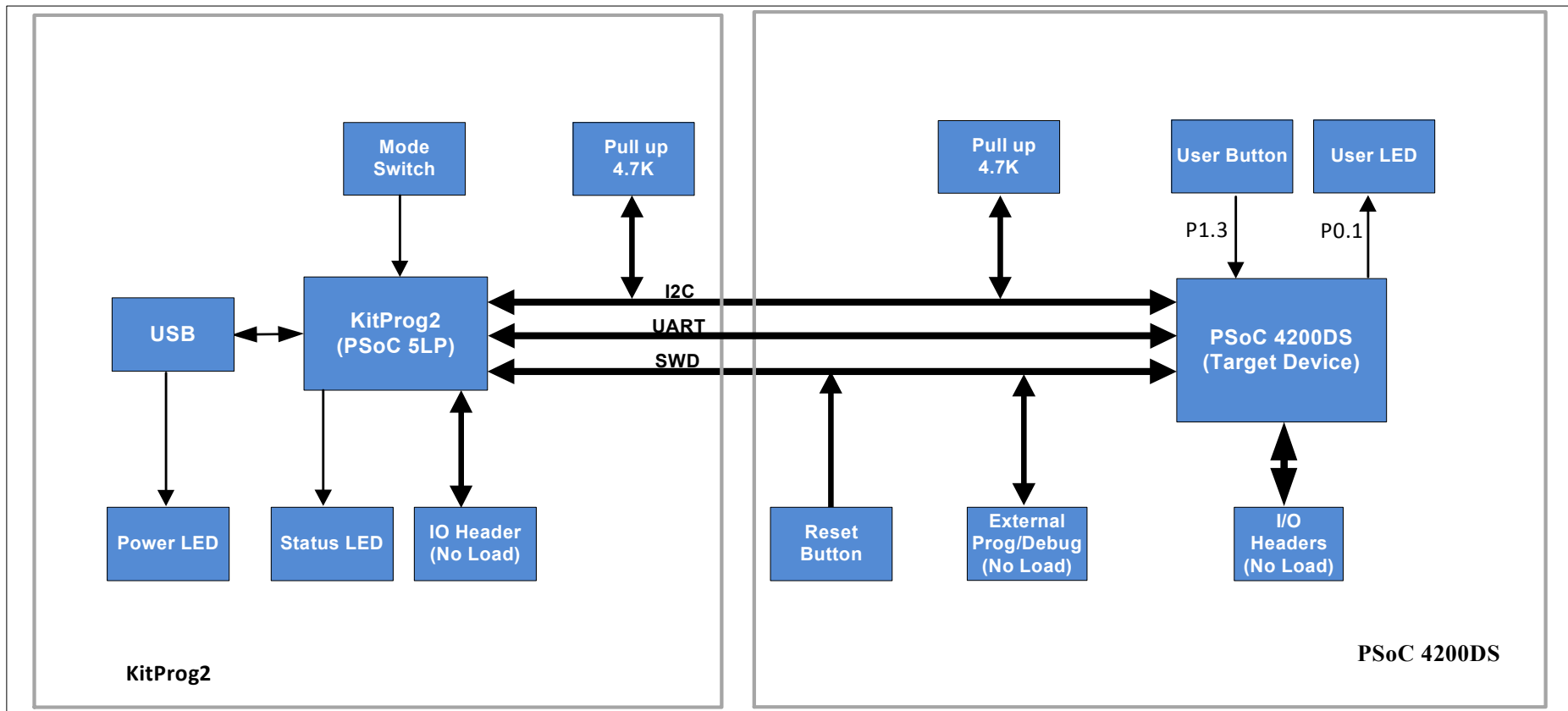


CY8CKIT-146 PSoC 4200DS Prototyping Kit

CONTENTS	
PAGE	DESCRIPTION
01	Title, Table of Contents & Drawing Numbers
02	Block Diagram
03	KitProg2 Schematics
04	PSoC4200DS

Drawing Numbers	
PCBA	121-60378-01
PCB	600-60384-01
FAB DRW	610-60341-01
ASSY DRW	620-60349-01
SCH DRW	630-60361-01

 CYPRESS <small>EMBEDDED IN TOMORROW™</small>	CYPRESS SEMICONDUCTOR 198 CHAMPION COURT SAN JOSE, CA 95134 (408) 943-2600			
CYPRESS SEMICONDUCTOR © 2017				
SCH Title : CY8CKIT-146 PSoC 4200DS Prototyping Kit				
Page Title : Title Page				
Size A4	Document Number 630-60361-01	Drawn By NMIT	Approved By RKAD	Rev 03
Date: Monday, March 20, 2017		Sheet 1 of 5		



CYPRESS
EMBEDDED IN TOMORROW™

CYPRESS SEMICONDUCTOR
198 CHAMPION COURT
SAN JOSE, CA 95134
(408) 943-2600

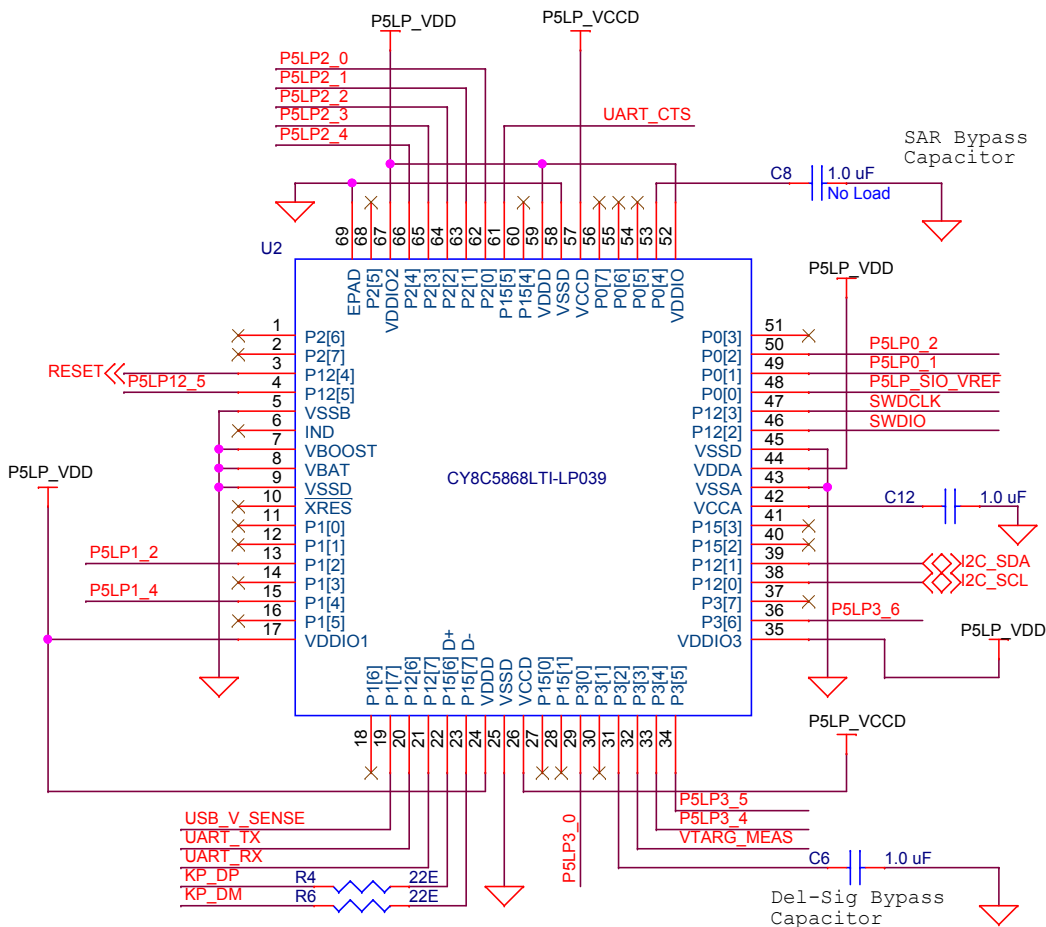
CYPRESS SEMICONDUCTOR © 2017

SCH Title : CY8CKIT-146 PSoC 4200DS Prototyping Kit

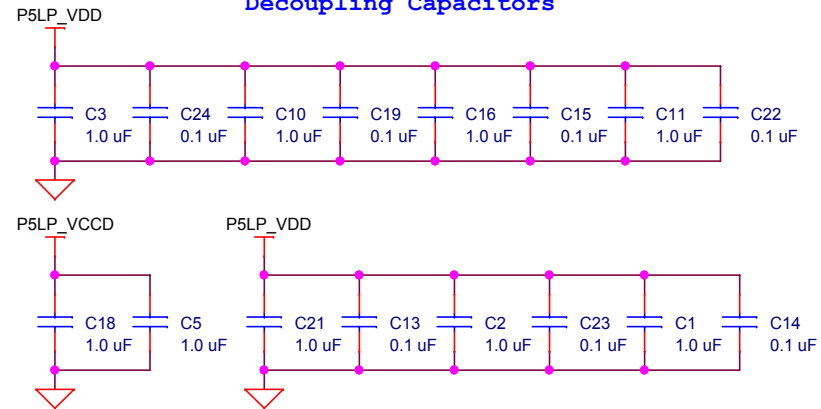
Page Title : Block Diagram

Size A4	Document Number 630-60361-01	Drawn By NMIT	Approved By RKAD	Rev 03
Date: Monday, March 20, 2017			Sheet 2 of 5	

PSoc 5LP based KitProg2



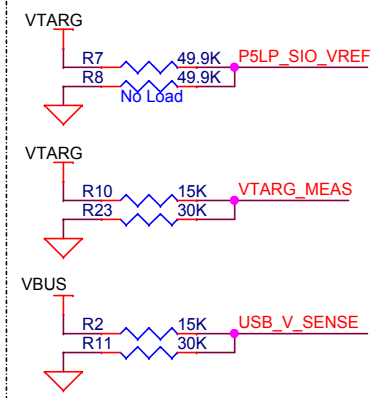
Decoupling Capacitors



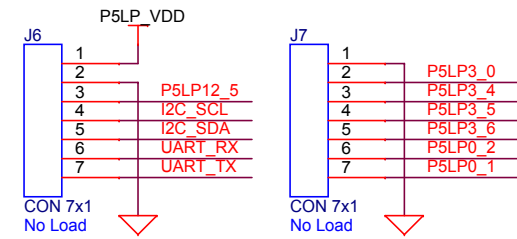
KitProg2 Status LED



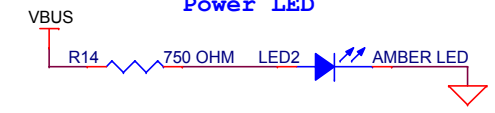
Voltage Monitoring



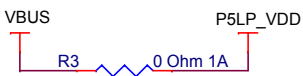
KitProg2 I/O Connectors



Power LED



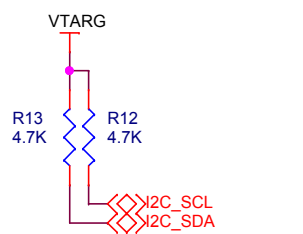
PSoc 5LP Power



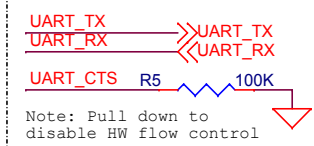
Target Power



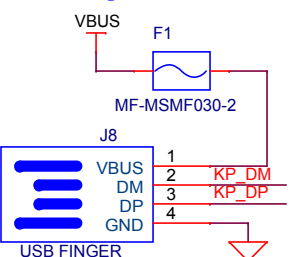
I2C Interface



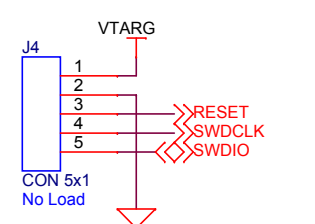
UART Interface



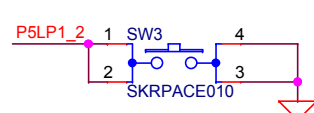
USB Finger Connector



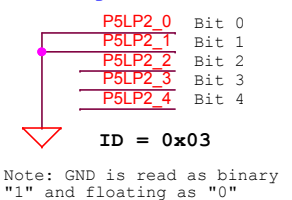
Target PSoc Program/ Debug Connector



User Switch



KitProg2 HW Revision

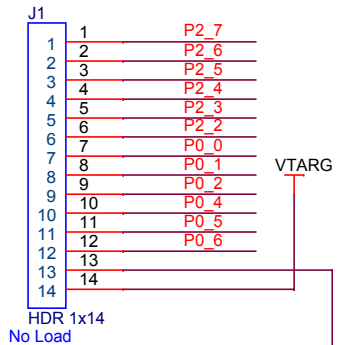


CYPRESS
EMBEDDED IN TOMORROW™

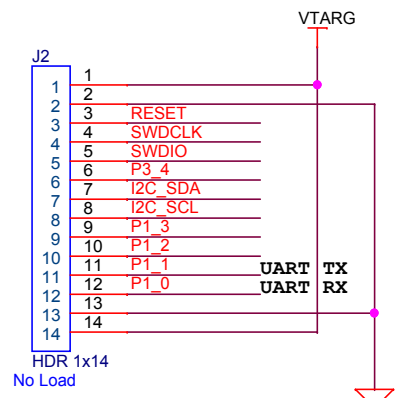
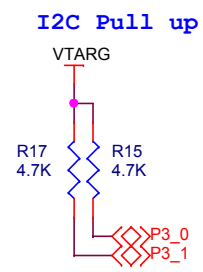
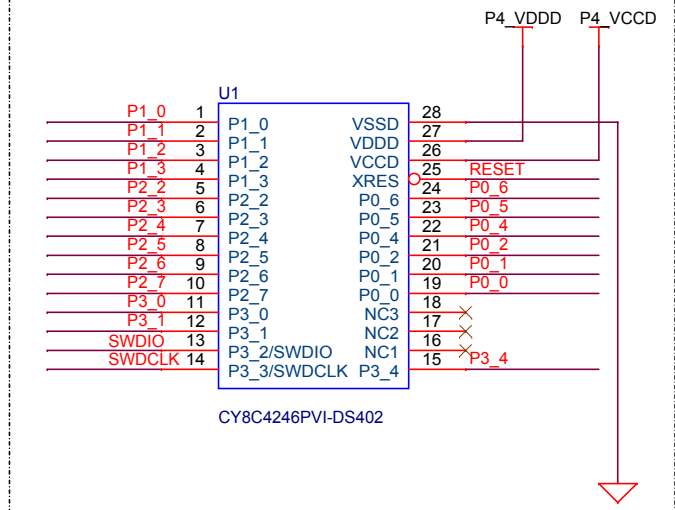
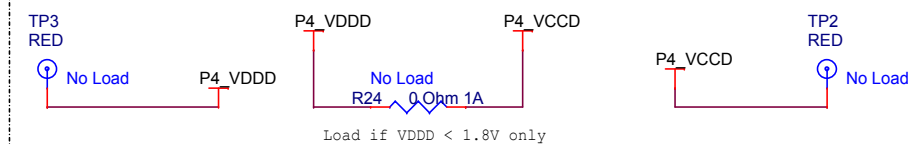
CYPRESS SEMICONDUCTOR
198 CHAMPION COURT
SAN JOSE, CA 95134
(408) 943-2600

CYPRESS SEMICONDUCTOR © 2017				
SCH Title : CY8CKIT-146 PSoc 4200DS Prototyping Kit				
Page Title : KitProg2				
Size A4	Document Number 630-60361-01	Drawn By NMIT	Approved By RKAD	Rev 03
Date:	Monday, March 20, 2017		Sheet	3 of 5

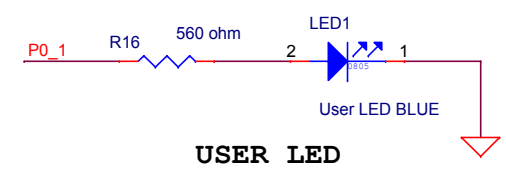
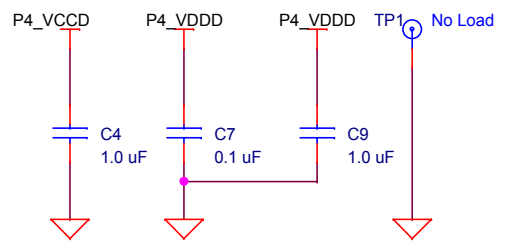
PSoC 4200DS Target Device



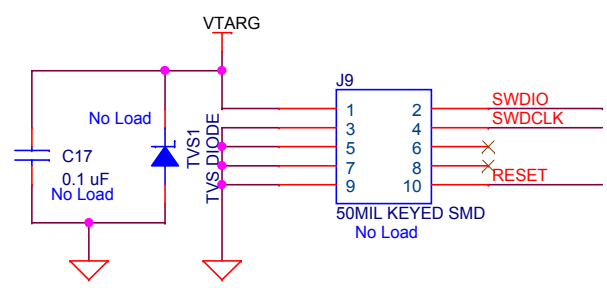
PSoC 4200DS I/O Header



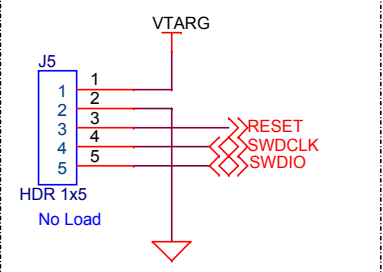
PSoC 4200DS I/O Header



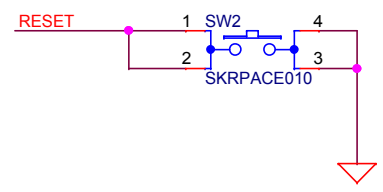
USER LED



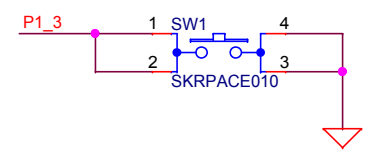
PSoC 4200DS Program/Debug Header



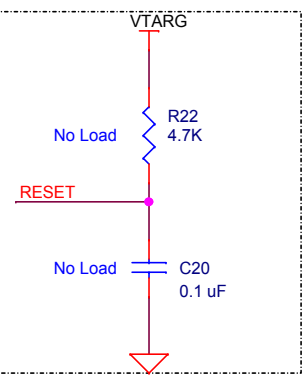
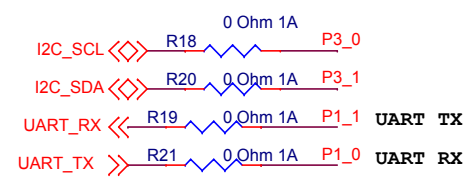
PSoC 4200DS Current Measurement Jumper



RESET PUSH BUTTON



USER PUSH BUTTON



CYPRESS SEMICONDUCTOR
198 CHAMPION COURT
SAN JOSE, CA 95134
(408) 943-2600

CYPRESS SEMICONDUCTOR © 2017

SCH Title : CY8CKIT-146 PSoC 4200DS Prototyping Kit

Page Title : PSoC 4200DS

Size A4	Document Number 630-60361-01	Drawn By NMIT	Approved By RKAD	Rev 03
Date:	Monday, March 20, 2017		Sheet	4 of 5

D

D

REVISION HISTORY		
Rev	DESCRIPTION	DATE
01	Initial Release	23/9/2016
02	Beta Release	27/10/2016
03	Updated Copyright Information	2/2/2017

C


C

B

B

A

A

 CYPRESS <small>EMBEDDED IN TOMORROW™</small>		CYPRESS SEMICONDUCTOR 198 CHAMPION COURT SAN JOSE, CA 95134 (408) 943-2600		
CYPRESS SEMICONDUCTOR © 2017				
SCH Title : CY8CKIT-146 PSoC 4200DS Prototyping Kit				
Page Title : Revision History				
Size A4	Document Number 630-60361-01	Drawn By NMIT	Approved By RKAD	Rev 03
Date: Monday, March 20, 2017			Sheet 5 of 5	