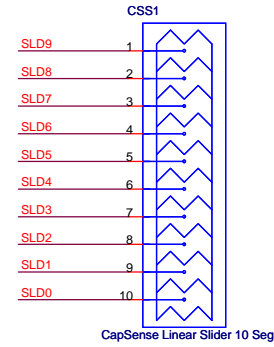
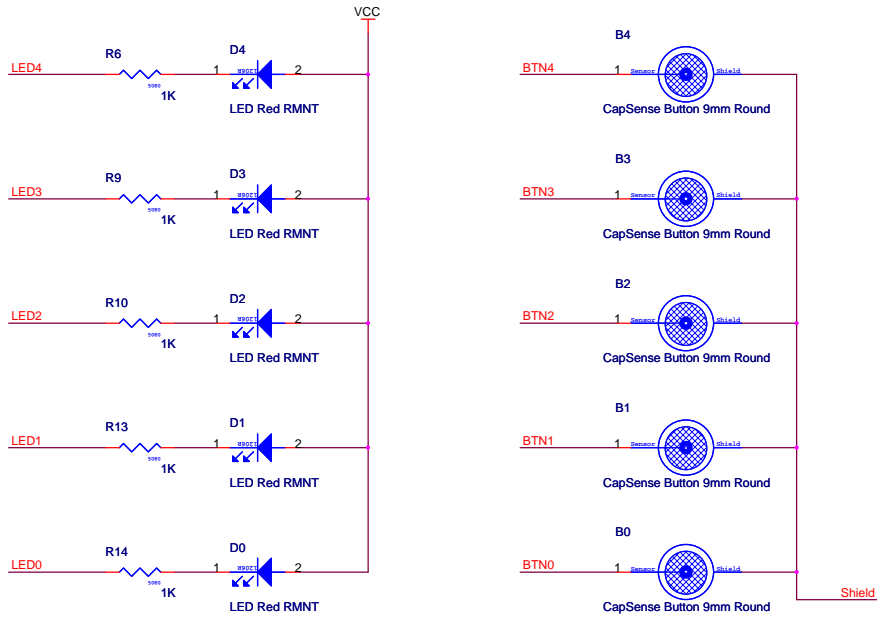
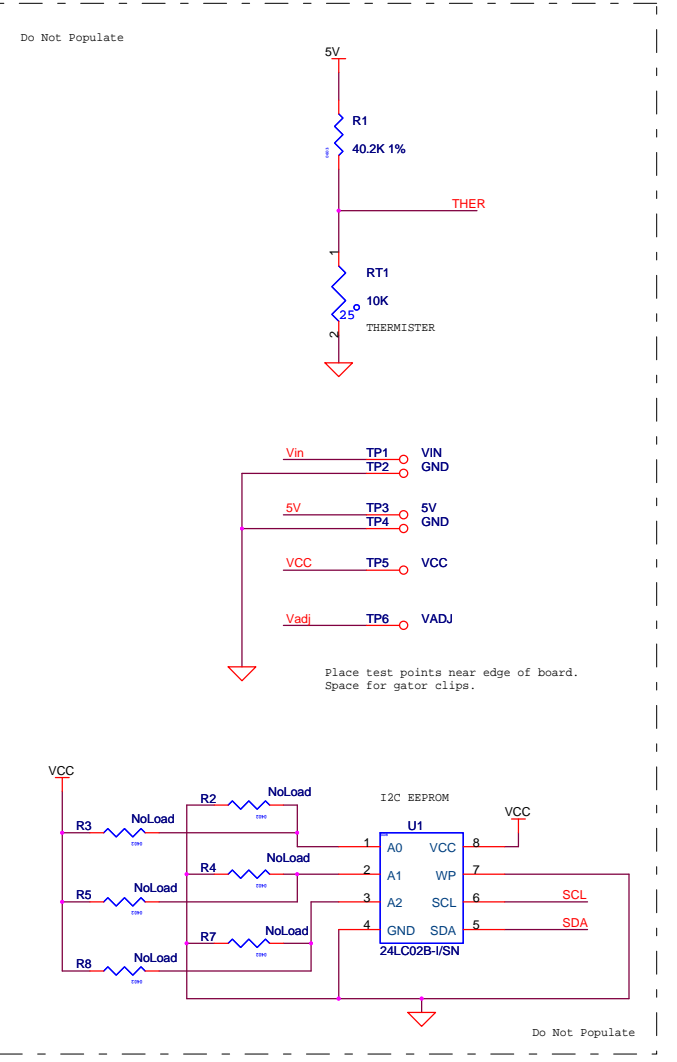


NOTE: NET NAMES FOR BUTTONS, LEDS AND SLIDER ELEMENTS MUST APPEAR IN SILK SCREEN.



BRING SHIELD AROUND SLIDER ELEMENTS.



CYPRESS SEMICONDUCTOR © 2008		
Title	CY3280-SLM Universal CapSense Linear Slider Module	
Size B	Document Number	Rev *A
	REF-14347	
Date:	Tuesday, December 09, 2008	Sheet 1 of 1

PCB: PDCR-9416
PCA: 121R-41600