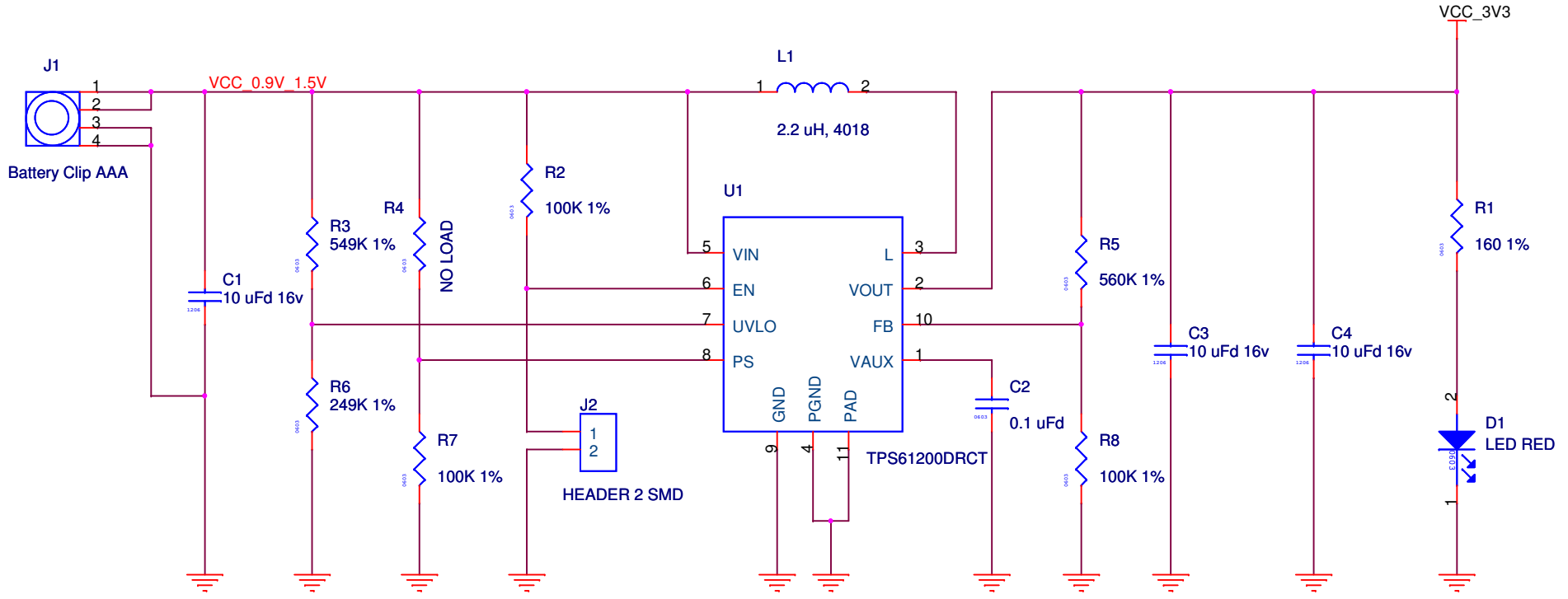


CapSense Express Evaluation Board - CAPEXP3

Rev *A

PDCR: 9460 Rev*A
PCA: 121R_46000 Rev*A

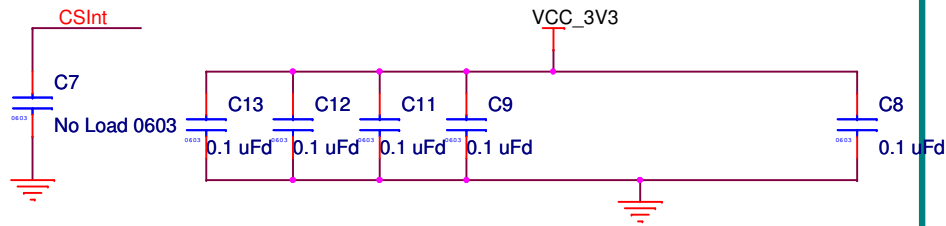
CYPRESS SEMICONDUCTOR © 2009		
Title CapSense Express CY3218A_CAPEXP3		
Size A	Document Number REF_14697	Rev *A
Date:	Monday, October 05, 2009	Sheet 1 of 6



Boost Regulator, 0.9V to 1.5V Input, 3.3V, 200mA Output

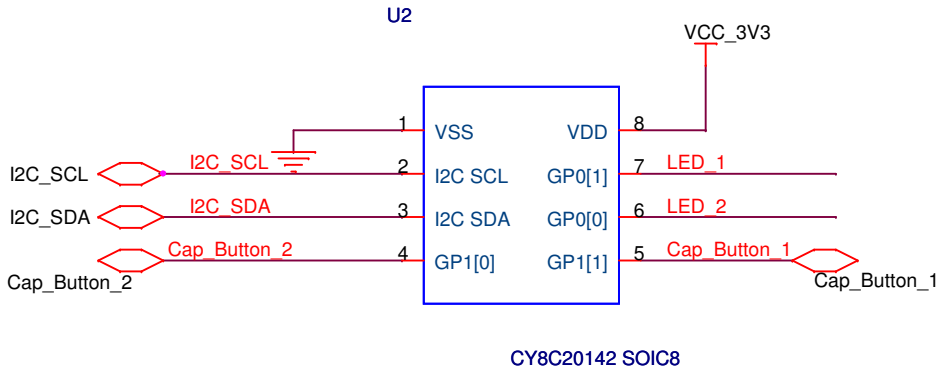
PDCR: 9460 Rev*A
 PCA: 121R_46000 Rev*A

CYPRESS SEMICONDUCTOR © 2009		
Title CapSense Express CY3218A_CAPEXP3		
Size A	Document Number REF_14697	Rev *A
Date:	Monday, October 05, 2009	Sheet 2 of 6

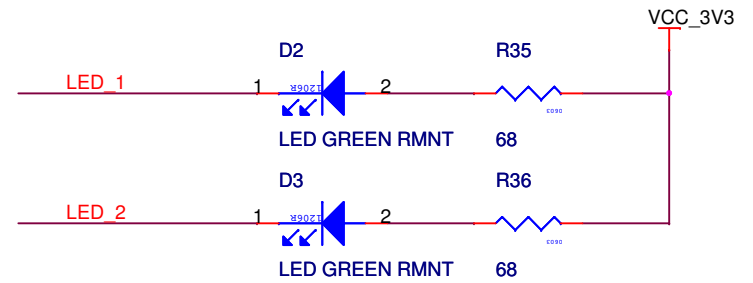


Optional Capacitor to improve SNR

Decap for CapSense Express



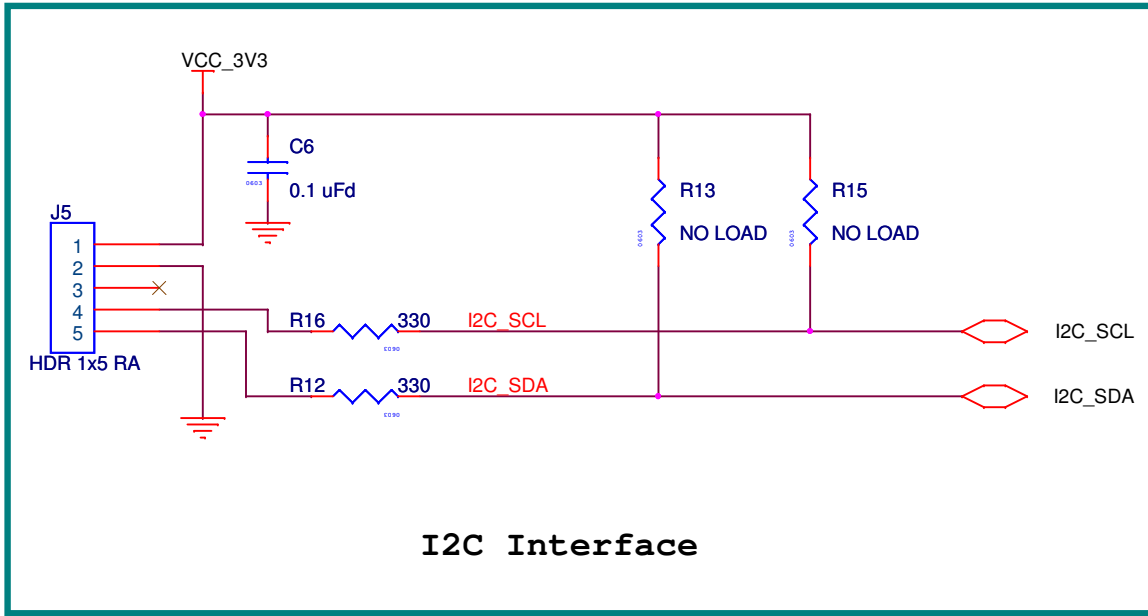
CapSense Express



Keypad Backlight LEDs, Green



PDCR: 9460 Rev*A
PCA: 121R_46000 Rev*A



CYPRESS SEMICONDUCTOR © 2009		
Title CapSense Express CY3218A_CAPEXP3		
Size A	Document Number REF_14697	Rev *A
Date:	Monday, October 05, 2009	Sheet 3 of 6



PDCR: 9460 Rev*A
 PCA: 121R_46000 Rev*A

CYPRESS SEMICONDUCTOR © 2009		
Title		
CapSense Express CY3218A_CAPEXP3		
Size	Document Number	Rev
A	REF_14697	*A
Date:	Monday, October 05, 2009	Sheet 4 of 6

Cap_Button_1  Cap_Button_1 R19  560 Button_1

Cap_Button_2  Cap_Button_2 R18  560 Button_2



CapSense Rectangular Buttons with Curved Edges

PDCR: 9460 Rev*A
PCA: 121R_46000 Rev*A

CYPRESS SEMICONDUCTOR © 2009

Title		
CapSense Express CY3218A_CAPEXP3		
Size A	Document Number REF_14697	Rev *A
Date:	Monday, October 05, 2009	Sheet 5 of 6

Revision History

Revision	Date	Changes
1.0	20-Aug-2007	Initial Revision
1.1	20-Aug-2007	Internal Review Comments Updated CY8C20110 Symbol updated with the new datasheet
1.2	22-Aug-2007	Cypress Review Comments Updated
1.3	22-Aug-2007	Jumper Connector added in Series with the ISSP Programmer lines Zero ohm resistors replaced with no load resistors in capsense jumpers section
1.4	30-Aug-2007	Changed as per review comments from Layout 1. Changed Slider and Button combinations to Segment 4 with Button 1, Segment 5 with Button 3, Segment 1 with Button 4, Segment 3 with Mech Button 2. Changed CapSense and Keypad LED backlight lines to PSOC to avoid less criss cross
1.5	04-Sep-2007	1. Changed Button 1 and Button 3 connections to avoid criss cross 2. Changed the ISSP Header
1.6	05-Sep-2007	1. No load pull up resistors added in the I2C_SCL and I2C_SDA lines 2. Series resistor for Power LED changed to 160 ohm to avoid overcurrent during programming
1.7	05-Sep-2007	1. Jumper and Pull down resistor added for boost regulator enable pin 2. Backannotation done
1.8	24-Sep-2007	1. Pull down resistor added in Mechanical button interface 2. Backlight and Power LED Footprint name updated
1.9	18-Oct-2007	1. ISSP Interface and Jumpers for ISSP Interface Removed
2.0	24-Oct-2007	2. RC for the XRES line has been added as DNP
2.1	03-Dec-2007	1. Modified to support 3 CapSense buttons, 3 Backlighting LEDs, 3 Status LEDs and 1 Mechanical Switch 2. Removed LCD Module and Slider
**	12-Aug-2009	Release to Manufacturing
*A	05-Oct-2009	Star A Revision

PDCR: 9460 Rev*A
PCA: 121R_46000 Rev*A

CYPRESS SEMICONDUCTOR © 2009		
Title CapSense Express CY3218A_CAPEXP3		
Size A	Document Number REF_14697	Rev *A
Date:	Monday, October 05, 2009	Sheet 6 of 6