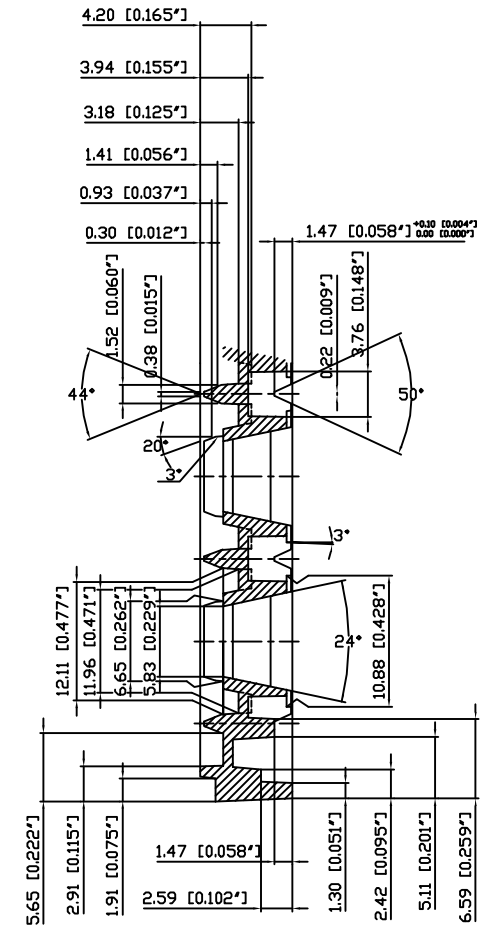
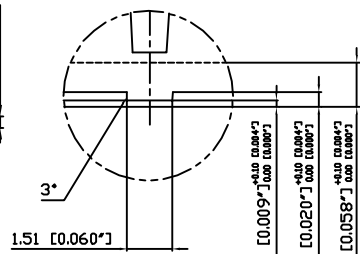
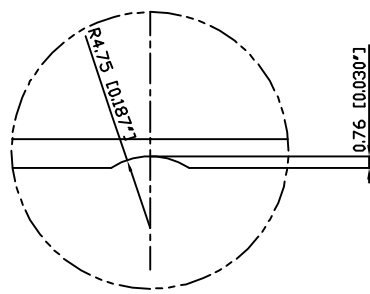
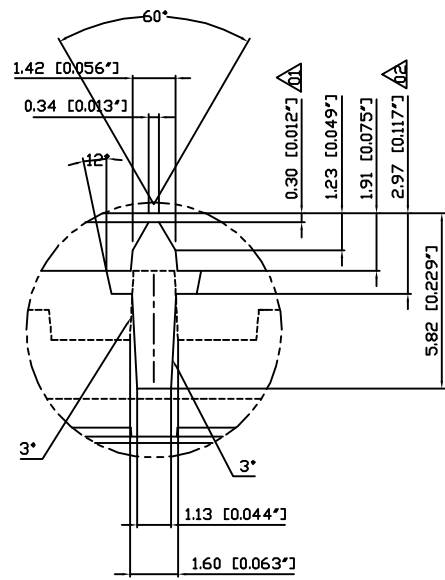
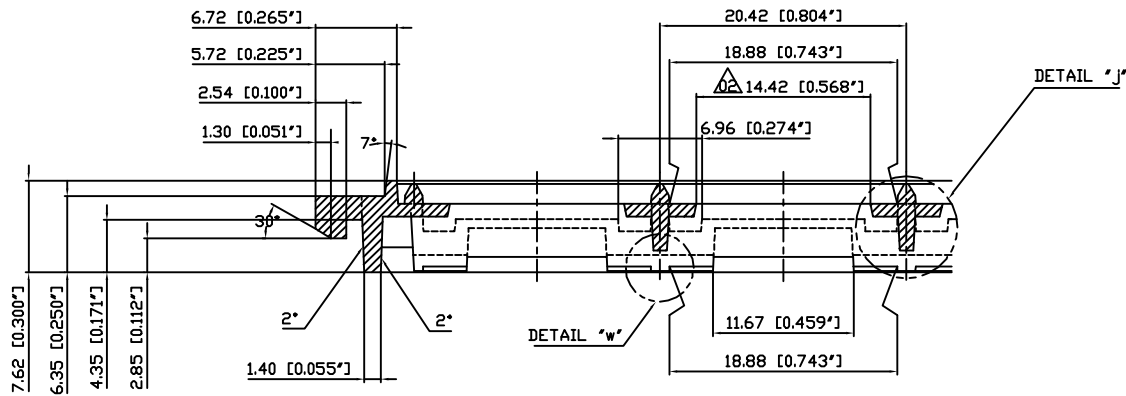




REVISIONS					
ZONE	REV	ECN	DESCRIPTION	DATE	APPROVED



UNLESS OTHERWISE SPECIFIED		DESIGNED BY	BHK
ALL DIMENSIONS ARE IN MILLIMETERS		DRAWN	BHK
DIMENSIONS UNLESS OTHERWISE SPECIFIED		CHECKED BY	FTA
DIMENSIONS UNLESS OTHERWISE SPECIFIED		DATE	02/20/04
DIMENSIONS UNLESS OTHERWISE SPECIFIED		APPROVED BY	BHK
DIMENSIONS UNLESS OTHERWISE SPECIFIED		TITLE	TRAY, TSOP11 400X725 TSOP1144
DIMENSIONS UNLESS OTHERWISE SPECIFIED		MATERIAL	PAS
DIMENSIONS UNLESS OTHERWISE SPECIFIED		SIZE	PART NO. 400X725 TSOP1144
DIMENSIONS UNLESS OTHERWISE SPECIFIED		FINISH	D
DIMENSIONS UNLESS OTHERWISE SPECIFIED		SCALE	NOTED
DIMENSIONS UNLESS OTHERWISE SPECIFIED		DATE	51-52029
DIMENSIONS UNLESS OTHERWISE SPECIFIED		REV	MB
DIMENSIONS UNLESS OTHERWISE SPECIFIED		SHEET	2 OF 2

THIS DRAWING CONTAINS INFORMATION WHICH IS THE PROPRIETARY PROPERTY OF CYPRESS SEMICONDUCTOR CORPORATION. THE DRAWING IS INTENDED TO BE CONFIDENTIAL AND ITS CONTENTS MAY NOT BE DISCLOSED WITHOUT WRITTEN CONSENT OF CYPRESS SEMICONDUCTOR CORPORATION.