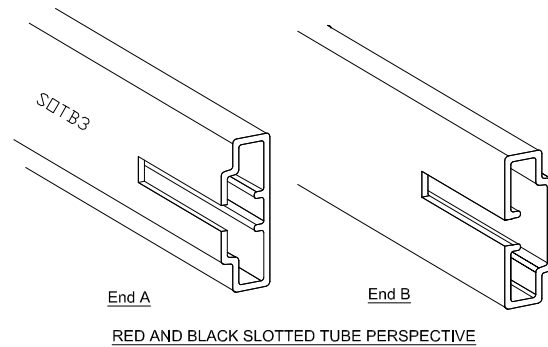
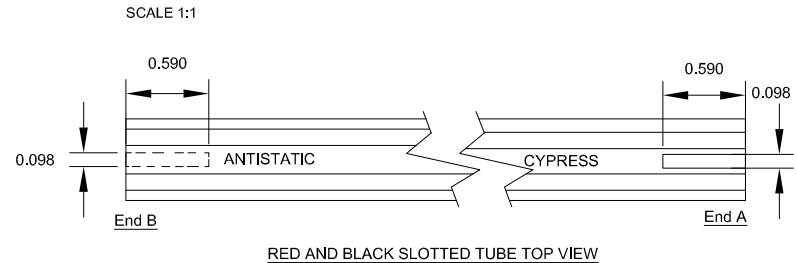
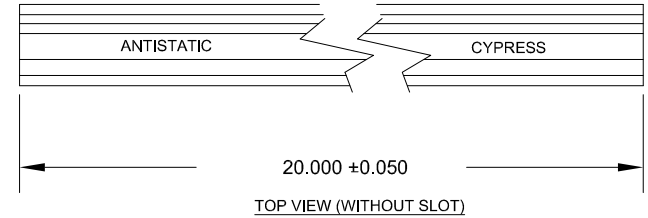
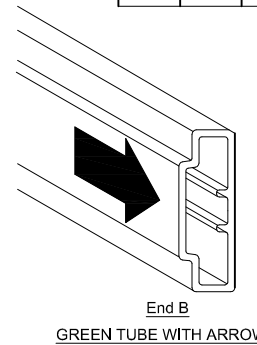
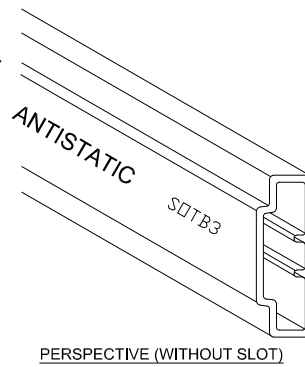
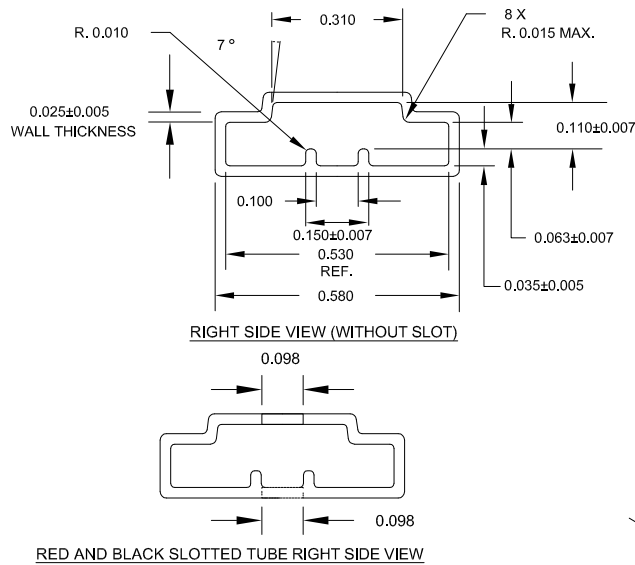


NOTES:

1. ALL PARTS TO MEET THE REQUIREMENTS OF CYPRESS SPECIFICATION #03-00029
2. MATERIAL: REFER TO SPEC. #03-00029
3. FINISH: REFER TO SPEC. #03-00029
4. MAX. BURR ON INNER SIDE OF TUBE SHALL BE 0.010 IN.
5. CYPRESS LOGO AND "CYPRESS SEMICONDUCTOR" PRINT ON TUBE IS OPTIONAL
6. TUBE PART NUMBER WITH SLOT: SOTB3-R, SOTB3-BL
7. TUBE PART NUMBER WITH ARROW MARK: SOTB3-G



SOTB3-B	SOJ20/24/28/32,SSOP48/56,SOIC16/20/24/28, 300 MILS, BLUE WITH BLUE PRINT
SOTB3-BL	SOJ20/24/28/32,SSOP48/56,SOIC16/20/24/28, 300 MILS,SLOTTED BLACK TUBE WITH BLUE PRINT
SOTB3-CB	SOJ20/24/28/32,SSOP48/56,SOIC16/20/24/28, 300 MILS, CLEAR WITH BLUE PRINT
SOTB3-CG	SOJ20/24/28/32,SSOP48/56,SOIC16/20/24/28, 300 MILS, CLEAR WITH GREEN PRINT
SOTB3-G-GRN	SOJ20/24/28/32,SSOP48/56,SOIC16/20/24/28, 300 MILS, GREEN WITH BLUE PRINT, GREEN PREPLUGGED
SOTB3-G-WHI	SOJ20/24/28/32,SSOP48/56,SOIC16/20/24/28, 300 MILS, GREEN WITH BLUE PRINT, WHITE PREPLUGGED
SOTB3-G-BLU	SOJ20/24/28/32,SSOP48/56,SOIC16/20/24/28, 300 MILS, GREEN WITH BLUE PRINT, BLUE PREPLUGGED
SOTB3-G-YEL	SOJ20/24/28/32,SSOP48/56,SOIC16/20/24/28, 300 MILS, GREEN WITH BLUE PRINT, YELLOW PREPLUGGED
SOTB3-G-GRY	SOJ20/24/28/32,SSOP48/56,SOIC16/20/24/28, 300 MILS, GREEN WITH BLUE PRINT, GRAY PREPLUGGED
SOTB3-G-PNK	SOJ20/24/28/32,SSOP48/56,SOIC16/20/24/28, 300 MILS, GREEN WITH BLUE PRINT, PINK PREPLUGGED
SOTB3-O	SOJ20/24/28/32,SSOP48/56,SOIC16/20/24/28, 300 MILS, SLOTTED RED TUBE WITH BLUE PRINT
SOTB3-R	SOJ20/24/28/32,SSOP48/56,SOIC16/20/24/28, 300 MILS, SLOTTED RED TUBE WITH BLUE PRINT

THIS DRAWING CONTAINS INFORMATION WHICH IS THE PROPRIETARY PROPERTY OF CYPRESS SEMICONDUCTOR CORPORATION. THIS DRAWING IS RECEIVED IN CONFIDENCE AND ITS CONTENTS MAY NOT BE DISCLOSED WITHOUT WRITTEN CONSENT OF CYPRESS SEMICONDUCTOR CORPORATION.

REVISIONS						
PAGE	ZONE	REV	ECN	DESCRIPTION	DATE	APPROVED
1	-	**	2754090	CREATED DWG TEMPLATE	08/28/09	BZG
1	-	*A	469	ADD PRINTING DETAIL, CHG. NOTE #5	10/23/92	
1	-	*B	481	CHG. NOTES	01/05/93	
1	-	*C	1099	ADD NOTE #5, REMOVE PRINTING DETAIL	01/31/95	
1	-	*D	133881	ADDED TABLE FOR P/N PER COLOR, CHANGE TITLE FROM 300MIL SOIC/SOJ SHIPPING TUBE TO TUBE,SOJ20/24/28/32,SSOP48/56, SOIC16/20/24/28, 300 MILS, CHANGE P/N FROM SOTB3 TO SOTB3-*	2/19/04	
1	-	*E	211163	ADD RED SLOTTED TUBE DRAWING. ADD NOT NUMBER 6, CHANGE SCALE TO 3:1. INSERT "RED SLOTTED" AND "BLACK SLOTTED" IN THE TABLE	3/13/04	
1	-	*F	462497	ADDED +/-0.007 TOLERANCE RIB TO SHOULDER AND SADDLE HEIGHT DIMENSION (0.063in,0.110in), +/-0.005 TOLERANCE TO RIB DIMENSION (0.150in)	5/24/06	
1	-	*G	496332	CHANGED RIB TO RIB TOLERANCE FROM +/-0.005 TO +/-0.007	8/22/06	
1	-	*H	2571808	ADD DRAWING OF GREEN TUBE WITH ARROW MARK ON ONE END (END B). ADD NOTE NUMBER 7.	09/25/08	
1	-	*I	2791305	REDUCE TOLERANCE FOR TUBE RIB FROM +/-0.010 TO +/-0.005	04/26/10	

UNLESS OTHERWISE SPECIFIED ALL DIMENSIONS ARE IN MILLIMETERS STANDARD TOLERANCES ON:		DESIGNED BY	DATE
DECIMALS	ANGLES	DRAWN BY	DATE
.XX ± 0.010	± 1°	CHECKED BY	DATE
.XXX ±		APPROVED BY	DATE
.XXXX +		APPROVED BY	DATE
MATERIAL	DEFAULT TEXT	APPROVED BY	DATE
FINISH	DEFAULT TEXT	APPROVED BY	DATE

CYPRESS
 Company Confidential

TITLE
 TUBE SOJ 20/24/28/32, SSOP 48/56 ,SOIC 16/20/24/28 300 MILS

SIZE	PART NO.	DWG NO	REV
B	SOTB3-**	51-51000	*1

SCALED: 3:1 ENG'G REV SHEET 1 OF 1