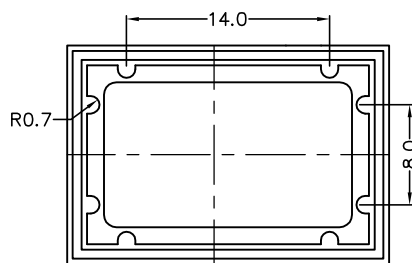
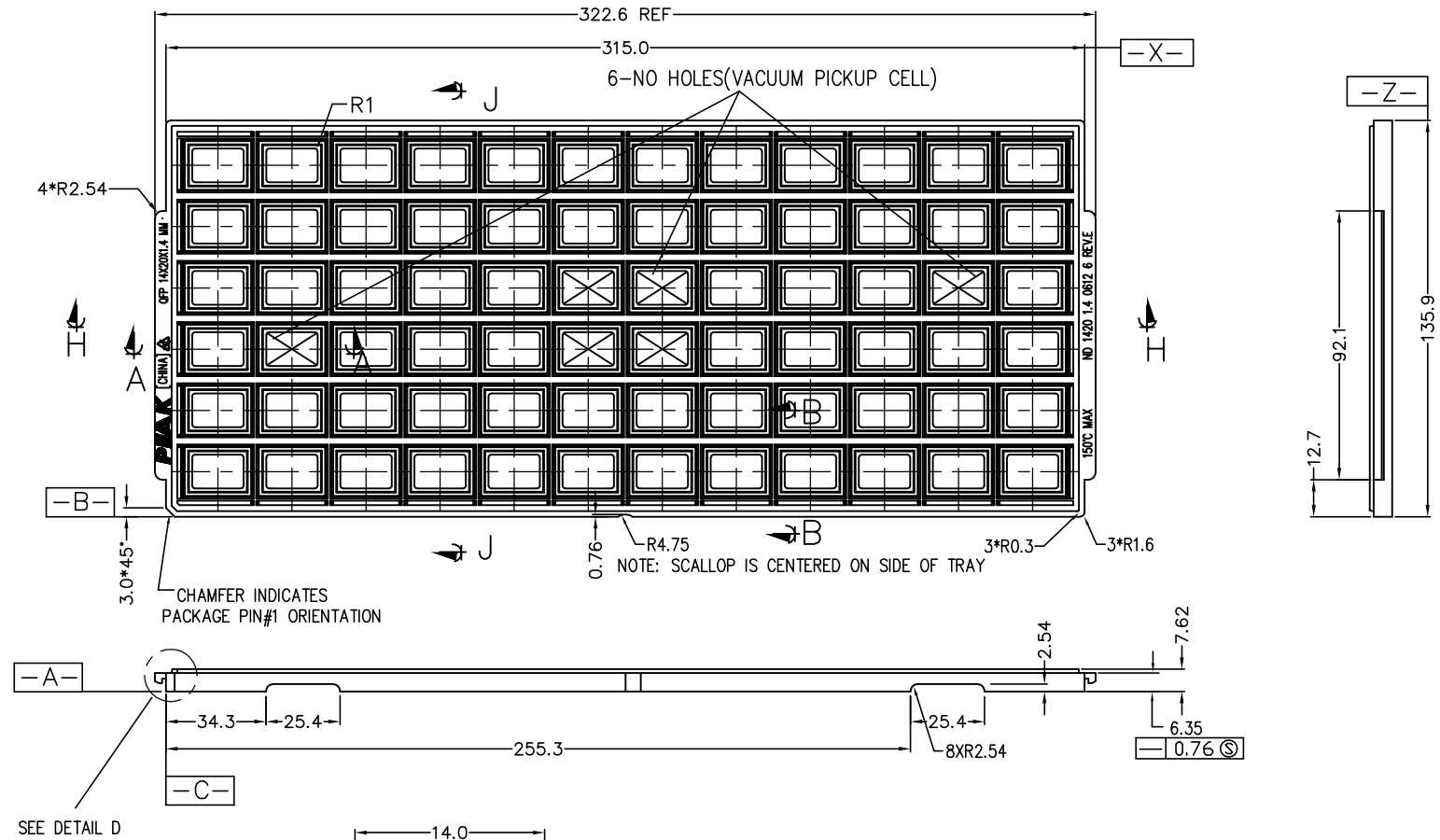


REVISIONS

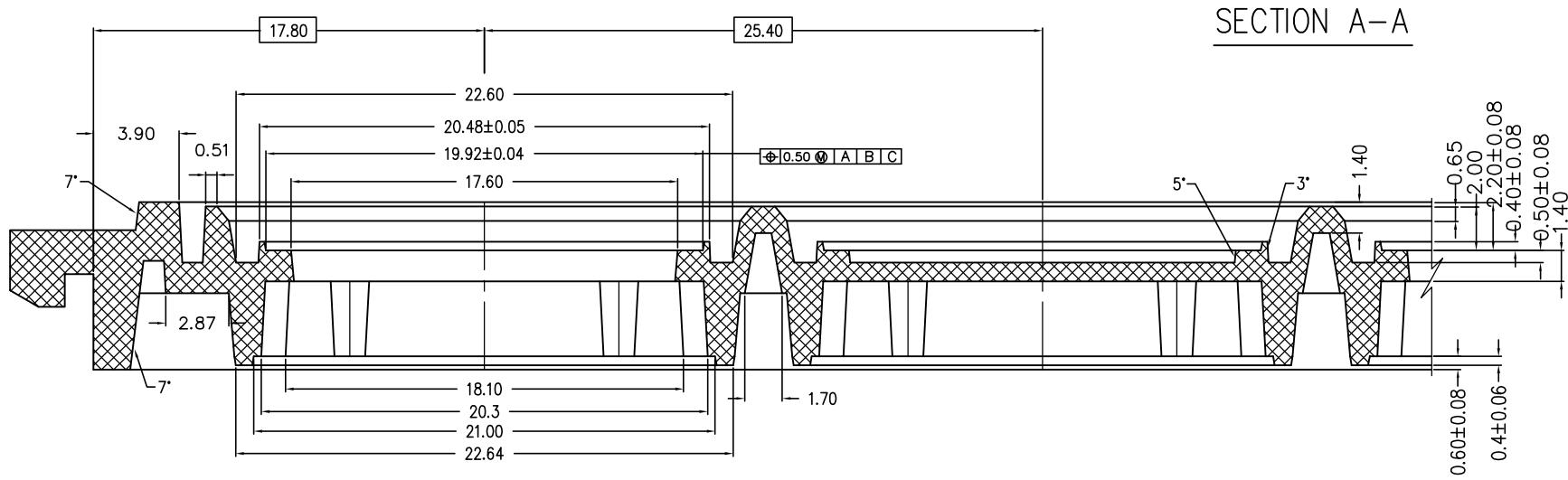
PAGE	ZONE	REV	ECN	DESCRIPTION	DATE	APPROVED
1	-	**	1606	NEW RELEASE	05/23/96	
1	-	*A	121512	INCLUDE PART # OF BLACK, BLUE AND RED TRAYS	11/13/02	
ALL	-	*B	3089313	CHANGE DRAWING TEMPLATE TRAY DRAWING REVISION UPDATE DRAWING BASED ON SUPPLIER'S CURRENT	11/18/10	QAD/KGL
ALL	-	*C	3770676	TRANSFER DRAWING TO CML TEMPLATE	10/09/12	QAD/KGL



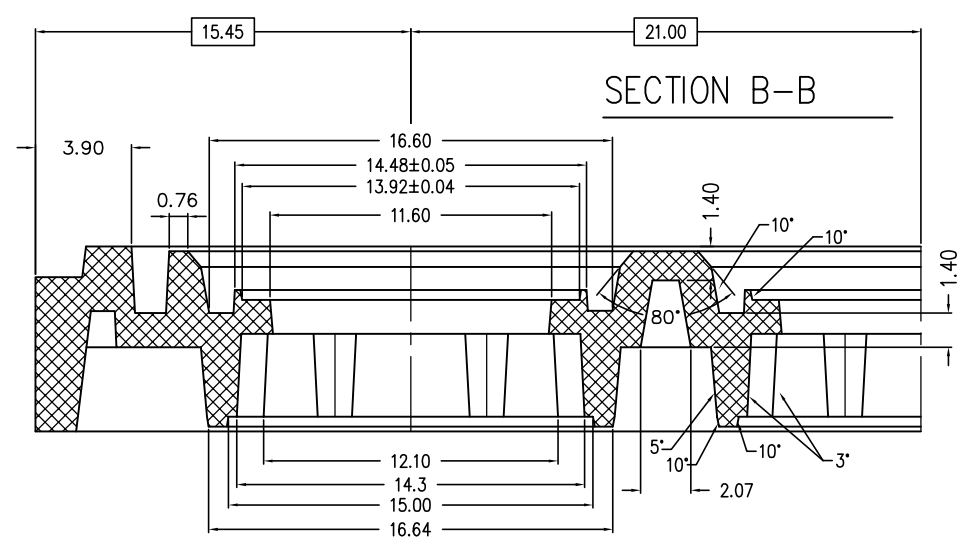
BACK VIEW OF CELL (4:1)

- NOTES:
1. MATERIALS - PP6
 2. ALL DIMENSIONS ARE IN MILLIMETERS.
 3. TOLERANCES - X.X = ±0.25
- X.XX = ±0.13
 4. ESD - SURFACE RESISTIVITY - 10 TO 10 OHMS/SQ.
 5. FOR PACKAGE - 1.4 MM THICKNESS.
 6. PART NO. : ND 1420 1.4 0612 6 REV.E
 7. DATE CODE AT TRAY BOTTOM
 8. THERE ARE 72 UNITS PER TRAY
 9. CML TRAY PART # :
BLACK TRAY - TA1420-14-B
BLUE TRAY - TA1420-14-BL
RED TRAY - TA1420-14-R

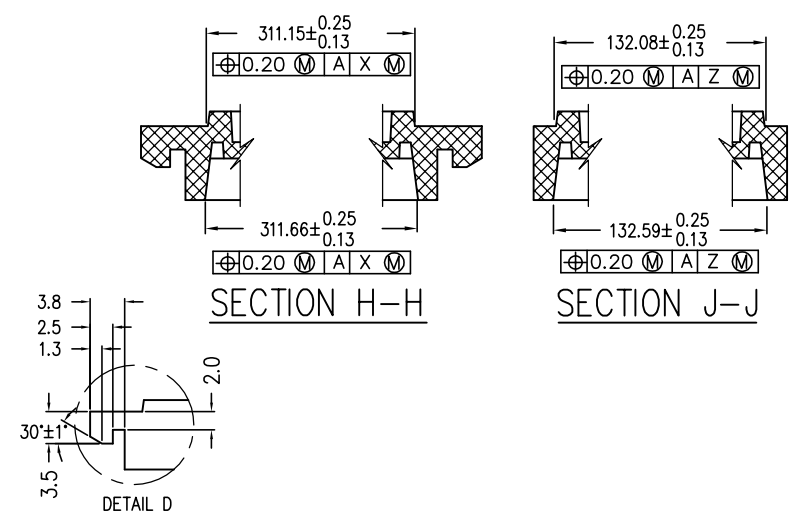
UNLESS OTHERWISE SPECIFIED		DESIGNED BY	DATE	 CYPRESS COMPANY CONFIDENTIAL			
ALL DIMENSIONS ARE IN MILLIMETERS STANDARD TOLERANCES ON:		DRAWN	DATE				
DECIMALS	± 0.25	XVC	10/08/12	TITLE TQFP TRAY 14 X 20 X 1.4mm			
ANGLES	± 0.13	CHK BY	DATE				
		ZJL	10/08/12				
MATERIAL	SEE NOTE # 1	APPROVED BY	DATE	SIZE	PART NO.	DWG NO	REV
		QAD	10/08/12		TA142014	51-52016	xC
FINISH		APPROVED BY	DATE	FIT TO SCALE		SHEET 1 OF 2	
		KGL	10/08/12				



SECTION A-A



SECTION B-B



SECTION H-H

SECTION J-J

DETAIL D

UNLESS OTHERWISE SPECIFIED ALL DIMENSIONS ARE IN MILLIMETERS STANDARD TOLERANCES ON: DECIMALS ± 0.25 .XX ± 0.25 .XXX ± 0.13 .XXXX ANGLES MATERIAL SEE NOTE # 1 FINISH	DESIGNED BY	DATE					
	DRAWN	DATE					
	CHK BY	DATE	TITLE	SIZE	PART NO.	DWG NO.	REV
	APPROVED BY	DATE	TQFP TRAY 14 X 20 X 1.4mm	TA142014	51-52016	×C	
	APPROVED BY	DATE	FIT TO SCALE		SHEET 1 OF 2		
	KGL	10/08/12					

THIS DRAWING CONTAINS INFORMATION WHICH IS THE PROPRIETARY PROPERTY OF CYPRESS SEMICONDUCTOR CORPORATION. THIS DRAWING IS RECEIVED IN CONFIDENCE AND ITS CONTENTS MAY NOT BE DISCLOSED WITHOUT WRITTEN CONSENT OF CYPRESS SEMICONDUCTOR CORPORATION.