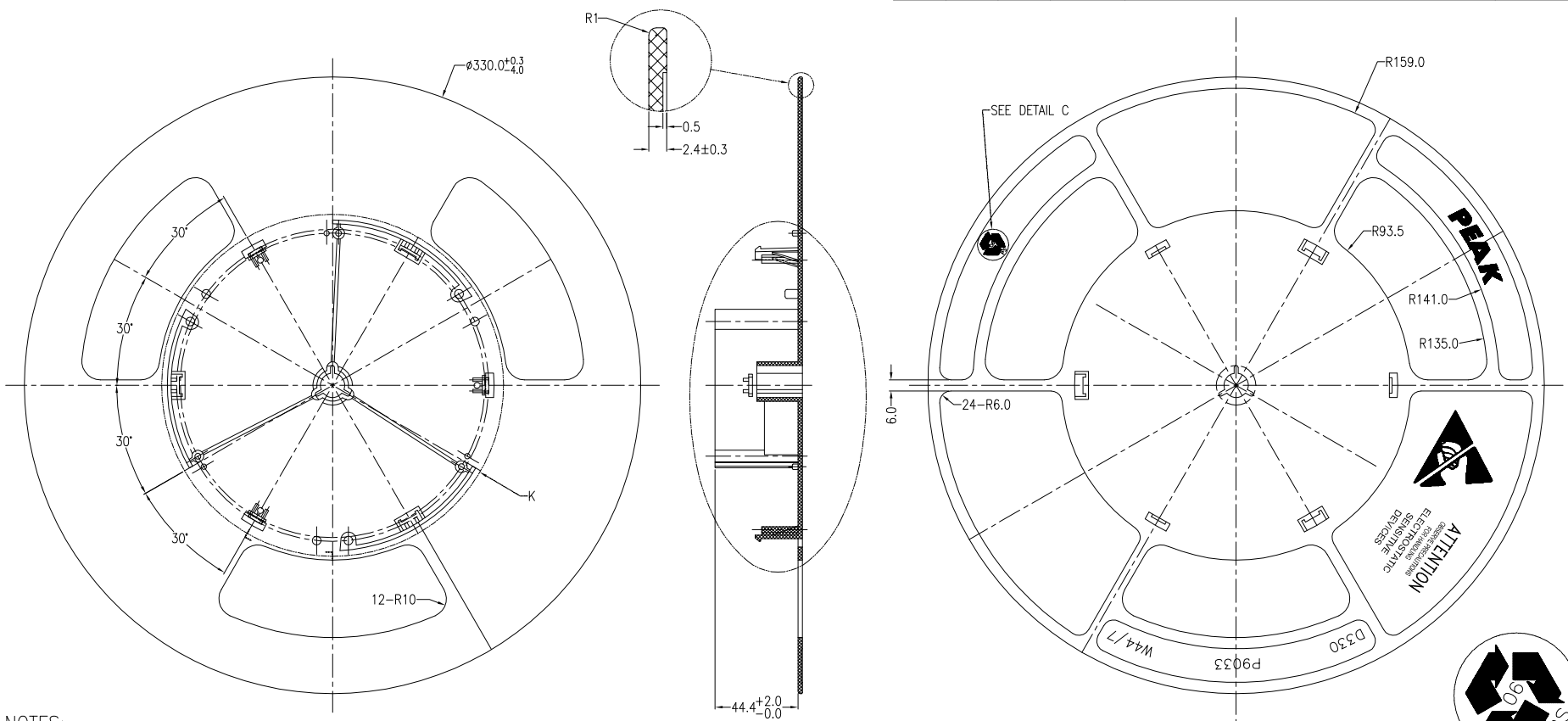


REVISIONS						
PAGE	ZONE	REV	ECN	DESCRIPTION	DATE	APPROVED
1	-	**	112898	NEW RELEASE	01/17/02	
1	-	*A	127266	Corrected production order# from P5047 to P9033.	05/23/03	
1	-	*B	314114	ADD BLACK LOCK REEL DRAWING	02/14/05	
ALL	-	*C	3183411	CHANGE TITLE FROM REEL TAPE 7" HUB (REEL THICK 50.4 MM) TO REEL, 13INCH DIA., 44MM W X 7INCH HUB UPDATE DRAWING BASED ON SUPPLIER'S LATEST DRAWING CHANGE DRAWING TEMPLATE	02/28/11	QAD/KGL
ALL	-	*D	3535695	REMOVE LAYER COLORS ON PDF FILE.	02/27/12	QAD/AZY



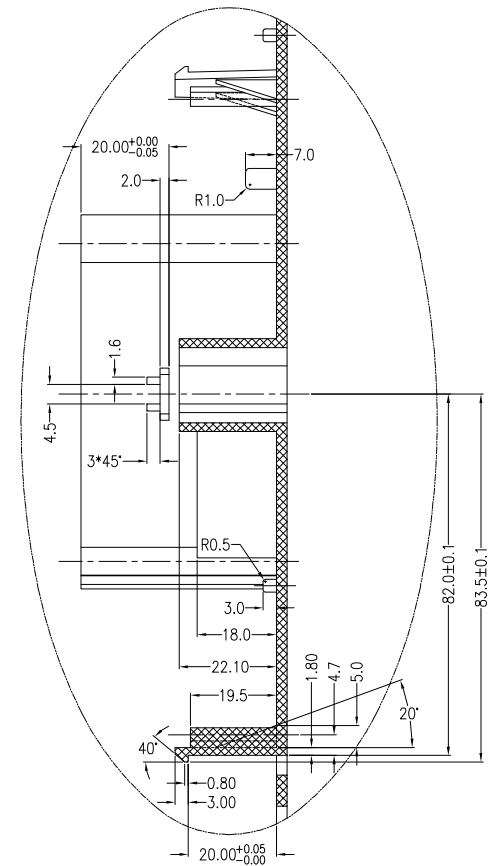
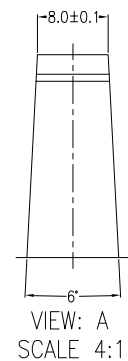
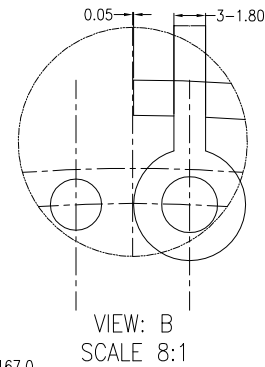
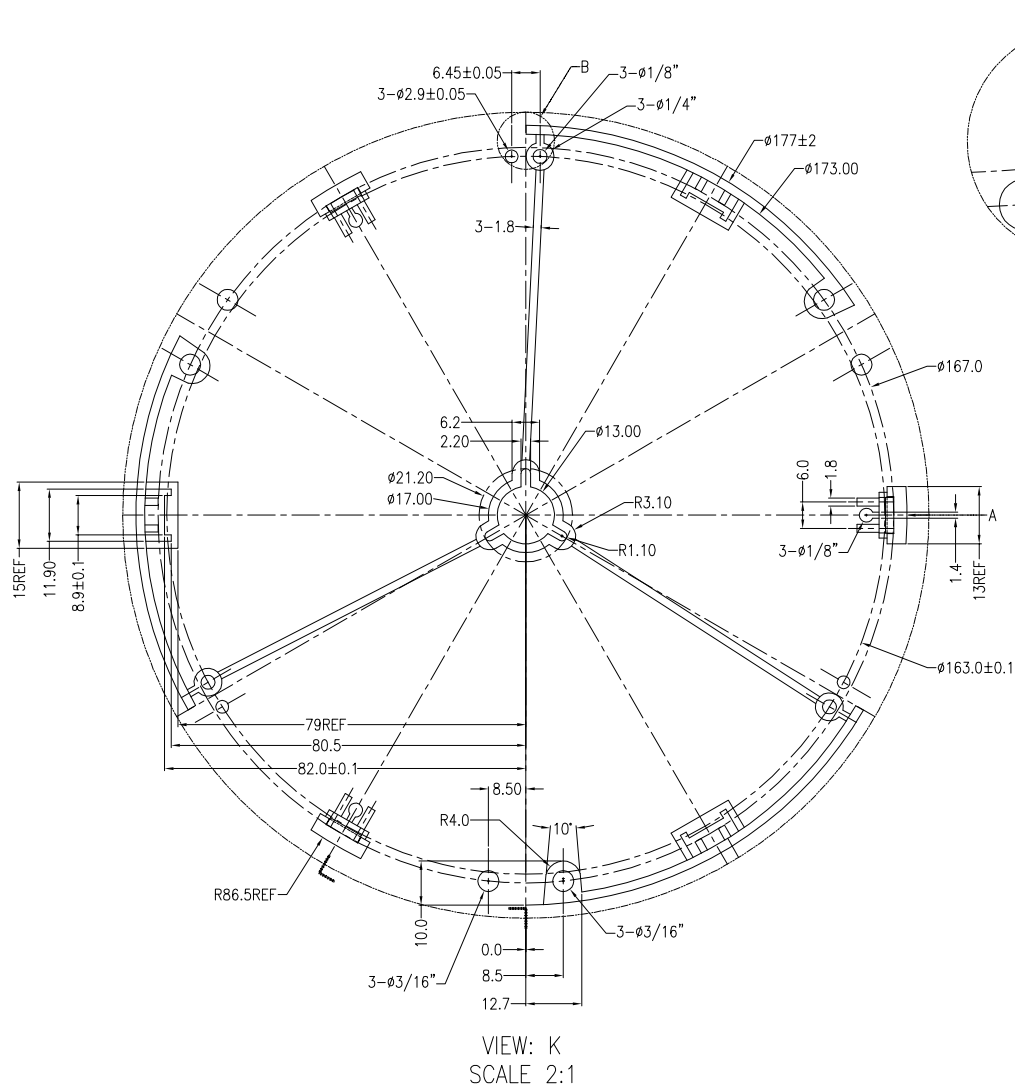
- NOTES:
 UNLESS OTHERWISE SPECIFIED
 1. MATERIAL : POLYSTYRENE (BLACK)
 2. ANTISTATIC COATED
 3. FLANGE WARPAGE : 3 MM MAXIMUM
 4. ALL DIMENSIONS ARE IN MM
 5. ESD - SURFACE RESISTIVITY
 - 10^6 TO 10^{11} OHMS/SQ.
 6. GENERAL TOLERANCE :
 X.X = ± 0.40 MM
 X.XX = ± 0.20 MM
 7. TOTAL THICKNESS OF REEL: 50.4 MAX.
 8. SUPPLIER PART NO.: P9033




DETAIL C
 SCALE 4:1

UNLESS OTHERWISE SPECIFIED ALL DIMENSIONS ARE IN MILLIMETERS STANDARD TOLERANCES ON: DECIMALS .X ± 0.4 .XX ± 0.2 .XXX \pm ANGLES \pm	DESIGNED BY	DATE	CYPRESS Company Confidential	TITLE			
	DRAWN BY	DATE		REEL, 13INCH DIA., 44MM W X 7INCH HUB			
	CHECKED BY	DATE		SIZE	PART NO.	DWG NO	REV
	APPROVED BY	DATE		A	TAR212450	51-51145	*D
MATERIAL	SEE NOTES	APPROVED BY	DATE	SCALED TO FIT	ENG'G REV	SHEET 1 OF 2	
FINISH		APPROVED BY	DATE				

THIS DRAWING CONTAINS INFORMATION WHICH IS THE PROPRIETARY PROPERTY OF CYPRESS SEMICONDUCTOR CORPORATION. THIS DRAWING IS RECEIVED IN CONFIDENCE AND ITS CONTENTS MAY NOT BE DISCLOSED WITHOUT WRITTEN CONSENT OF CYPRESS SEMICONDUCTOR CORPORATION.



THIS DRAWING CONTAINS INFORMATION WHICH IS THE PROPRIETARY PROPERTY OF CYPRESS SEMICONDUCTOR CORPORATION. THIS DRAWING IS RECEIVED IN CONFIDENCE AND ITS CONTENTS MAY NOT BE DISCLOSED WITHOUT WRITTEN CONSENT OF CYPRESS SEMICONDUCTOR CORPORATION.

 CYPRESS Company Confidential			
TITLE REEL, 13INCH DIA., 44MM W X 7INCH HUB			
SIZE A	PART NO. TAR212450	DWG NO 51-51145	REV *D
SCALED TO FIT		ENG'G REV	SHEET 2 OF 2