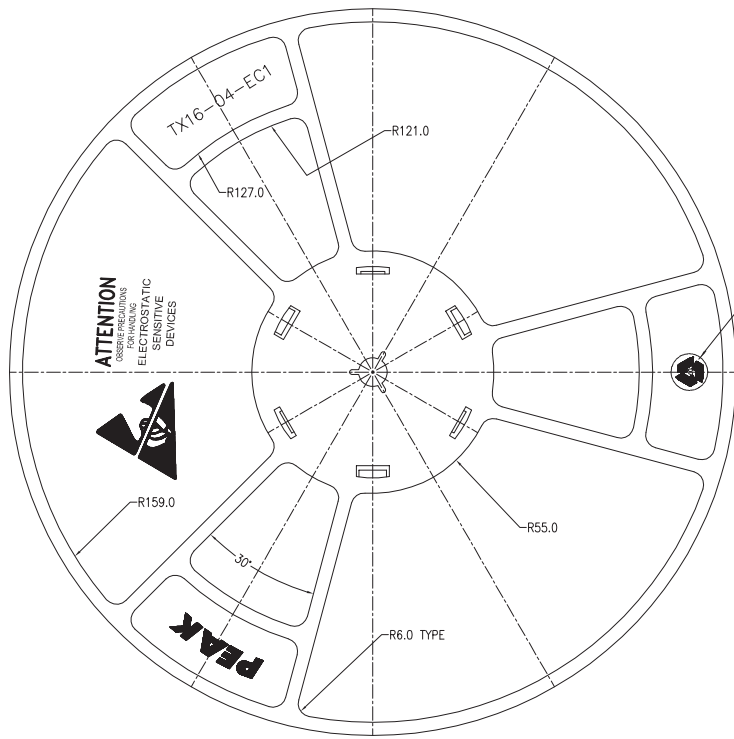



REVISIONS						
PAGE	ZONE	REV	ECN	DESCRIPTION	DATE	APPROVED
1	-	**	100658	NEW RELEASE	04/19/00	
1	-	*A	303352	ADD BLACK LOCK REEL DRAWING	12/22/04	
1	-	*B	3153008	CHANGE TITLE FROM REEL TAPE 4" HUB (REEL THICKNESS 22.4MM) TO REEL, 13INCH DIA., 16MM W X 4INCH HUB UPDATE DRAWING BASED ON SUPPLIER'S LATEST DRAWING CHANGE DRAWING TEMPLATE	01/31/11	QAD/KGL



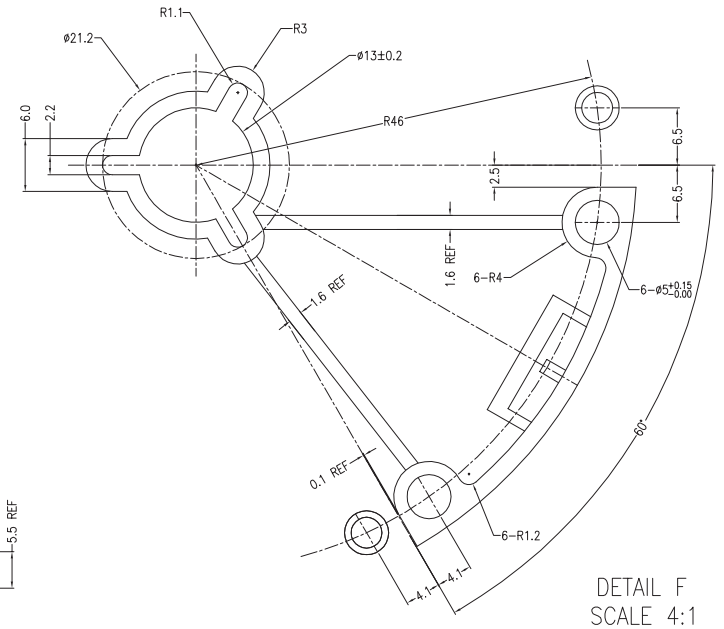
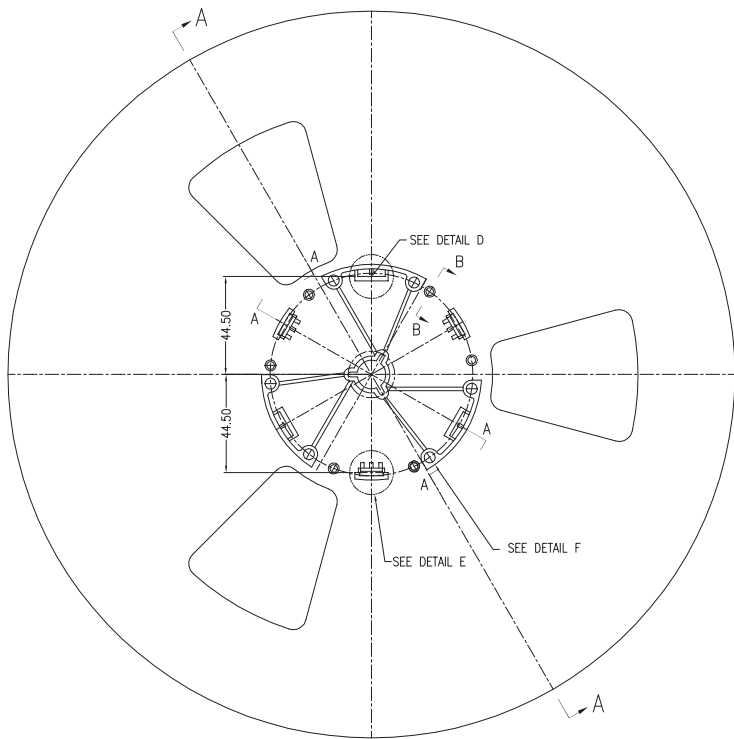
DETAIL C
SCALE 4:1

NOTES:

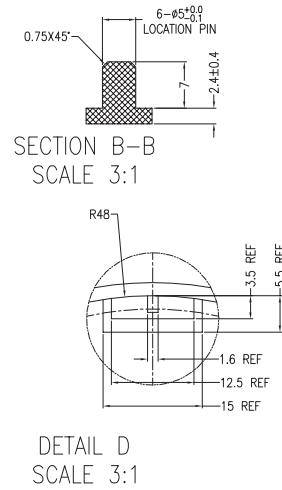
1. MATERIAL : POLYSTYRENE (BLACK)
2. FLANGE WARPAGE : 3 MM MAXIMUM
3. ALL DIMENSIONS ARE IN MM
4. ESD - SURFACE RESISTIVITY
- 10^9 TO 10^{11} OHMS/SQ.
5. GENERAL TOLERANCE : ± 0.25 MM
6. TOTAL THICKNESS OF REEL: 22.4 MAX.
7. SUPPLIER PART NO.: TX16-04-EC1

UNLESS OTHERWISE SPECIFIED ALL DIMENSIONS ARE IN MILLIMETERS STANDARD TOLERANCES ON: DECIMALS ANGLES .X ± 0.25 \pm .XX ± 0.25 .XXX \pm	DESIGNED BY	DATE	 CYPRESS Company Confidential								
	DRAWN BY AOQ	DATE 01/31/11									
	CHECKED BY AEL	DATE 01/31/11									
	APPROVED BY QAD	DATE 01/31/11									
MATERIAL SEE NOTES	APPROVED BY KGL	DATE 01/31/11	TITLE REEL, 13INCH DIA., 16MM W X 4INCH HUB								
FINISH	APPROVED BY	DATE	<table border="1"> <tr> <td>SIZE A</td> <td>PART NO. RL-04B</td> <td>DWG NO 51-51112</td> <td>REV *B</td> </tr> <tr> <td>SCALED TO FIT</td> <td>ENG'G REV</td> <td colspan="2">SHEET 1 OF 2</td> </tr> </table>	SIZE A	PART NO. RL-04B	DWG NO 51-51112	REV *B	SCALED TO FIT	ENG'G REV	SHEET 1 OF 2	
SIZE A	PART NO. RL-04B	DWG NO 51-51112	REV *B								
SCALED TO FIT	ENG'G REV	SHEET 1 OF 2									

THIS DRAWING CONTAINS INFORMATION WHICH IS THE PROPRIETARY PROPERTY OF CYPRESS SEMICONDUCTOR CORPORATION. THIS DRAWING IS RECEIVED IN CONFIDENCE AND ITS CONTENTS MAY NOT BE DISCLOSED WITHOUT WRITTEN CONSENT OF CYPRESS SEMICONDUCTOR CORPORATION.

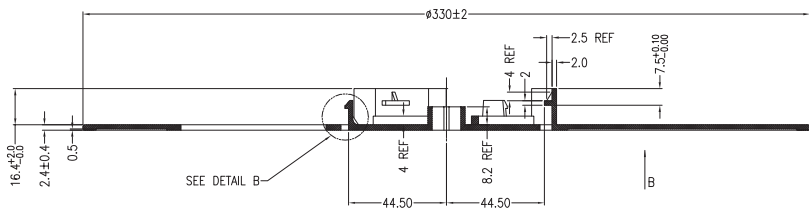


DETAIL F
SCALE 4:1

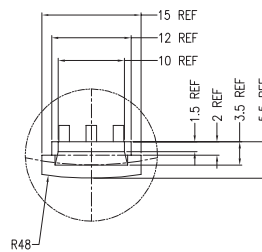


SECTION B-B
SCALE 3:1

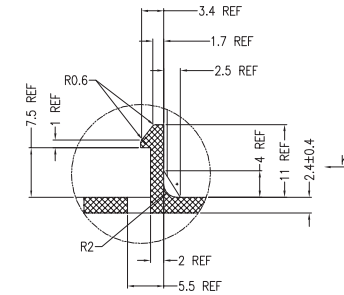
DETAIL D
SCALE 3:1



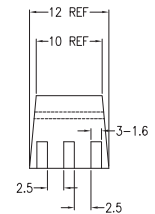
SECTION A-A



DETAIL E
SCALE 3:1



DETAIL B
SCALE 3:1



VIEW K
SCALE 3:1



CYPRESS
Company Confidential

TITLE
REEL, 13INCH DIA., 16MM W X 4INCH HUB

SIZE A	PART NO. RL-04B	DWG NO 51-51112	REV *B
SCALED TO FIT		ENG'G REV	SHEET 2 OF 2

THIS DRAWING CONTAINS INFORMATION WHICH IS THE PROPRIETARY PROPERTY OF CYPRESS SEMICONDUCTOR CORPORATION. THIS DRAWING IS RECEIVED IN CONFIDENCE AND ITS CONTENTS MAY NOT BE DISCLOSED WITHOUT WRITTEN CONSENT OF CYPRESS SEMICONDUCTOR CORPORATION.