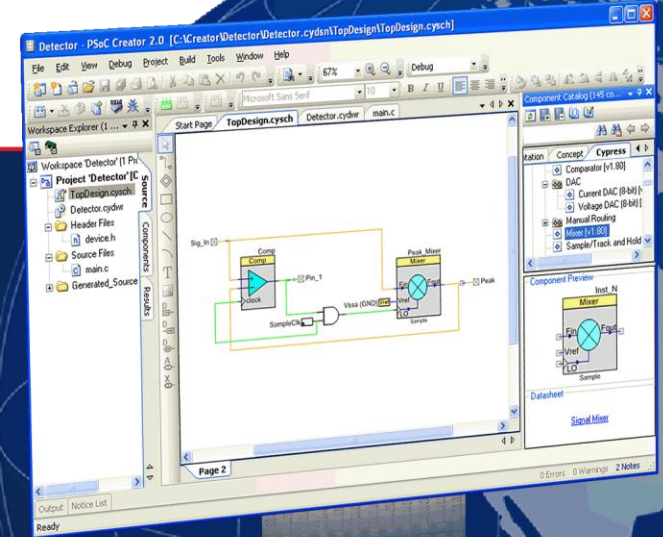




Solution Examples: HX3 USB 3.0 Hub



HX3 Solution Example: Ultrabook PC

HX3 Value

Design Challenges

- Ensure USB interoperability
- Provide more USB 3.0 ports on Ultrabook PCs
- Maintain USB 3.0 signal quality over long PCB traces
- Support multiple USB charging standards

HX3 Solution

- Works with all known controllers; tested at all USB plug-fests
- Shared Link™ enables 4 internal SS¹ + 4 standard USB 2.0 ports
- Drives up to 11-inch PCB traces on all DS² ports
- Supports BC v1.2, Apple and Ghost Charge™ standards

Suggested Collateral

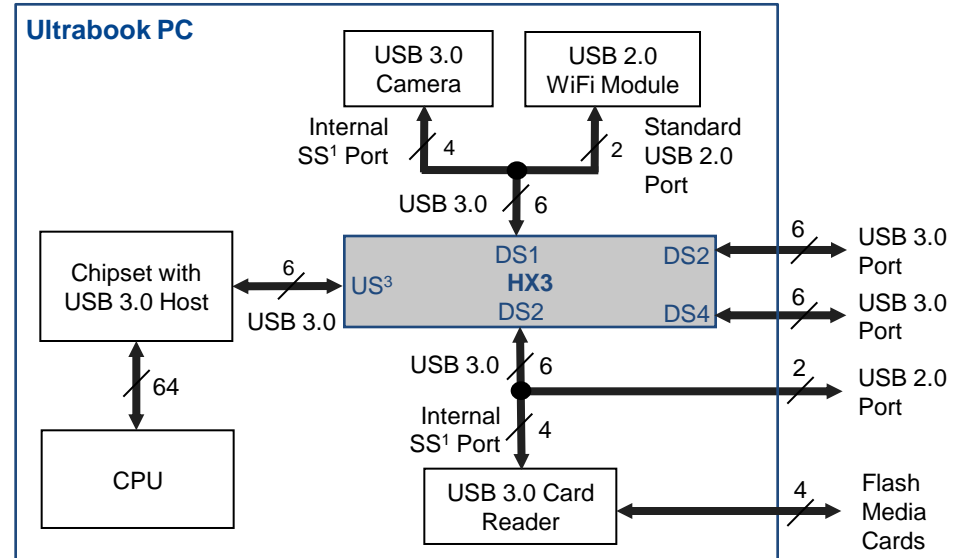
- [HX3 USB 3.0 Hub Datasheet](#)
- [HX3 Hardware Design Guide App Note](#)
- [HX3 Certification Report](#)
- [HX3 Interoperability Report](#)

Discovery Questions

- Is there a shortage of USB 3.0 ports on the mother board?
- How many USB 2.0 and USB 3.0 connections are needed?
- Are there any internal USB peripheral connections?
- Which USB charging standards are supported?
- How many DS connectors are used?

¹ SuperSpeed USB, operating at 5 Gbps
² Downstream port of a USB Hub
³ Upstream port of a USB Hub

Block Diagram



Intel Bay Trail-Based Ultrabook By Toshiba



HX3 Solution Example: USB Dock

HX3 Value

Design Challenges

- Ensure USB interoperability
- Provide more USB 3.0 ports on Ultrabook PCs
- Maintain USB 3.0 signal quality over long PCB traces
- Support multiple USB charging standards

HX3 Solution

- Works with all known controllers; tested at all USB plug-fests
- Shared Link™ enables 4 internal SS¹ + 4 standard USB 2.0 ports
- Drives up to 11-inch PCB traces on all DS² ports
- Supports BC v1.2, Apple and Ghost Charge™ standards

Suggested Collateral

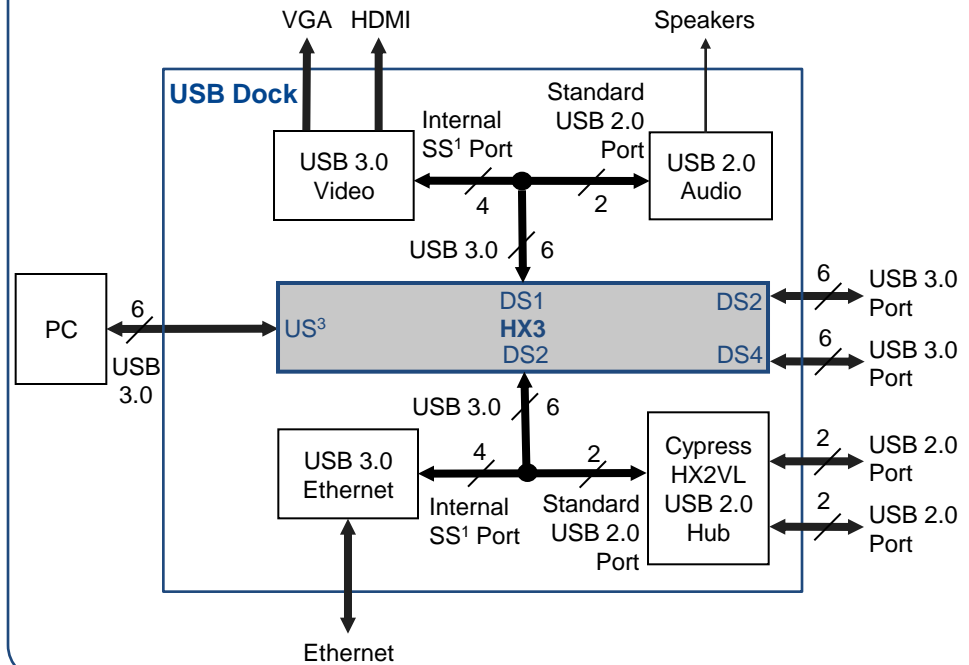
- [HX3 USB 3.0 Hub Datasheet](#)
- [HX3 Hardware Design Guide App Note](#)
- [HX3 Certification Report](#)
- [HX3 Interoperability Report](#)

Discovery Questions

- Is a “one-cable” docking mechanism desirable?
- How many USB 2.0 and USB 3.0 connections are needed?
- Are there any internal USB peripheral connections?
- Which USB charging standards are supported?
- How many DS connectors are used?

¹ SuperSpeed USB, operating at 5 Gbps
² Downstream port of a USB Hub
³ Upstream port of a USB Hub

Block Diagram



HZ-1 USB 3.0 Docking Station
By Asus

