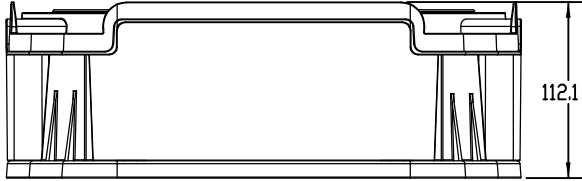
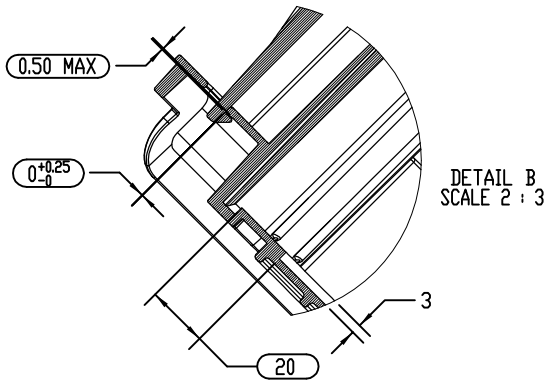
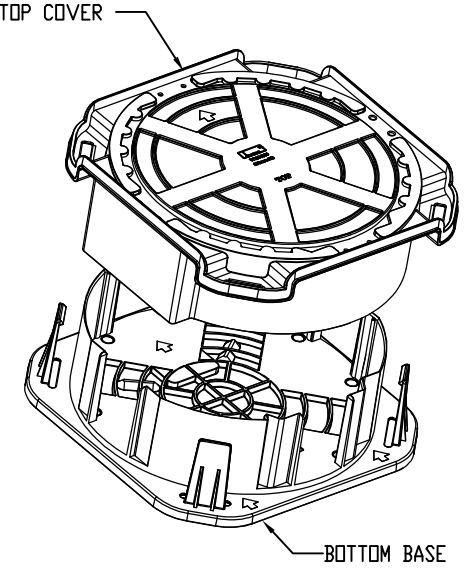
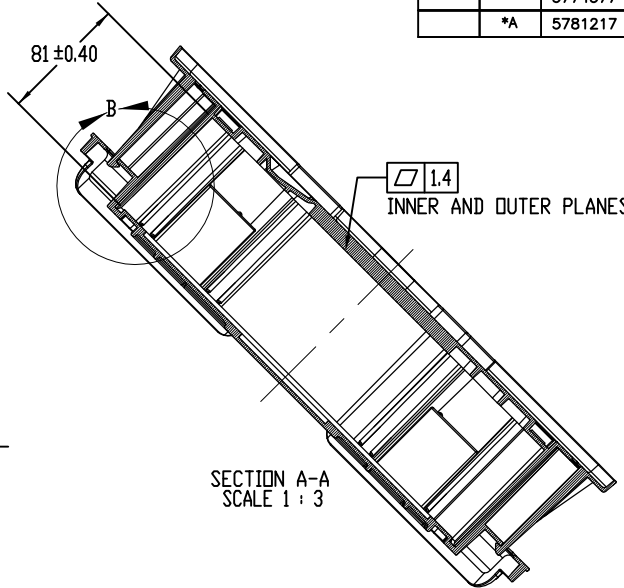
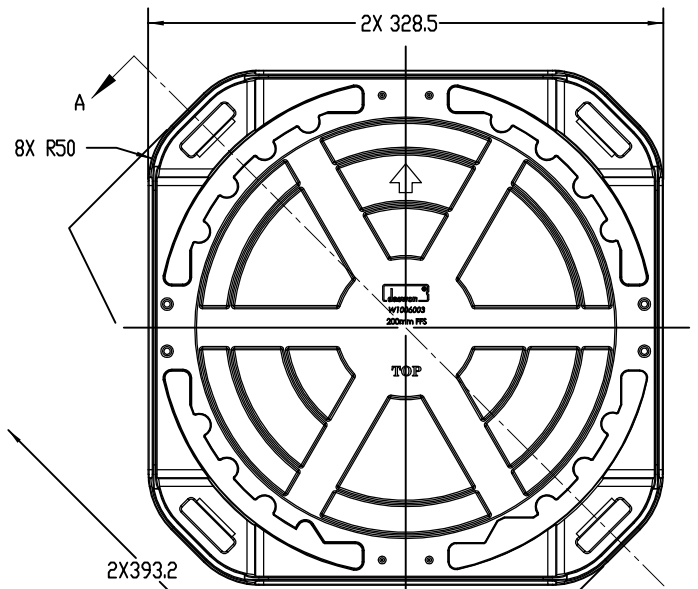


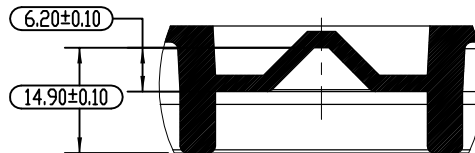
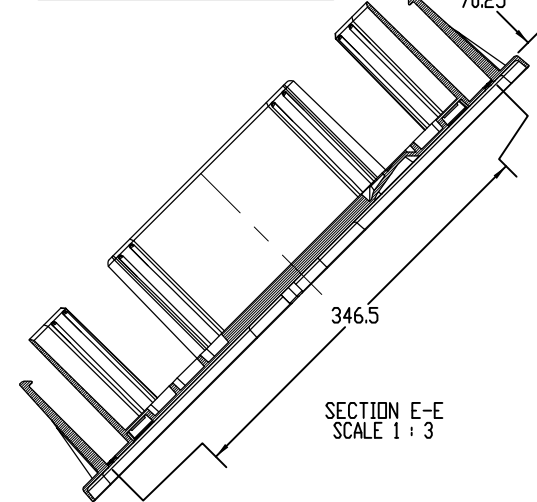
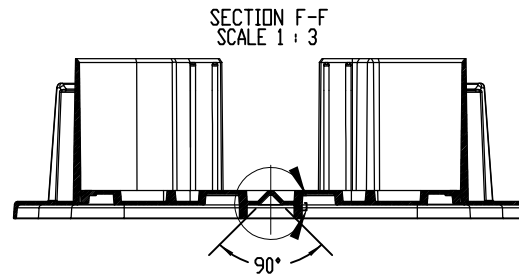
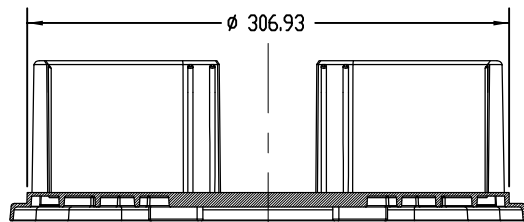
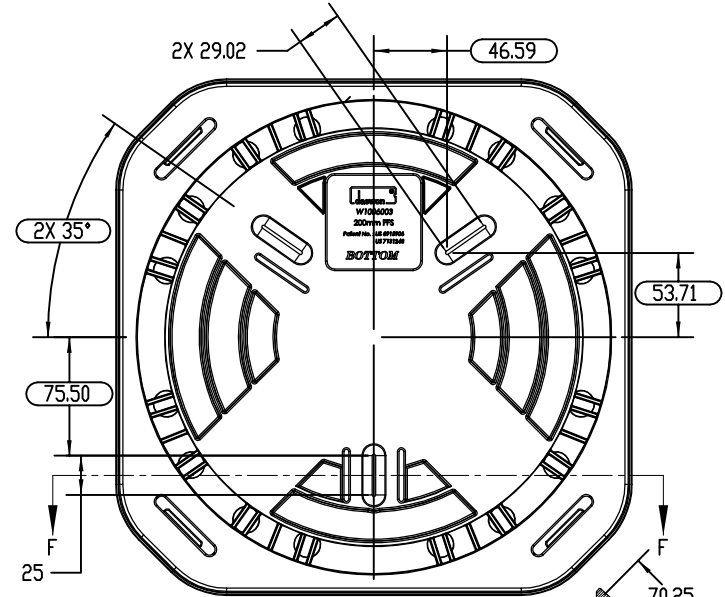
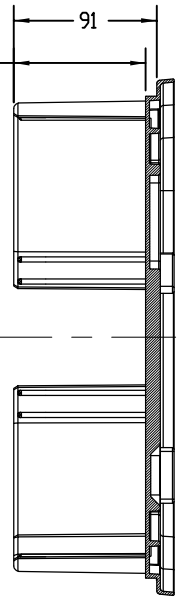
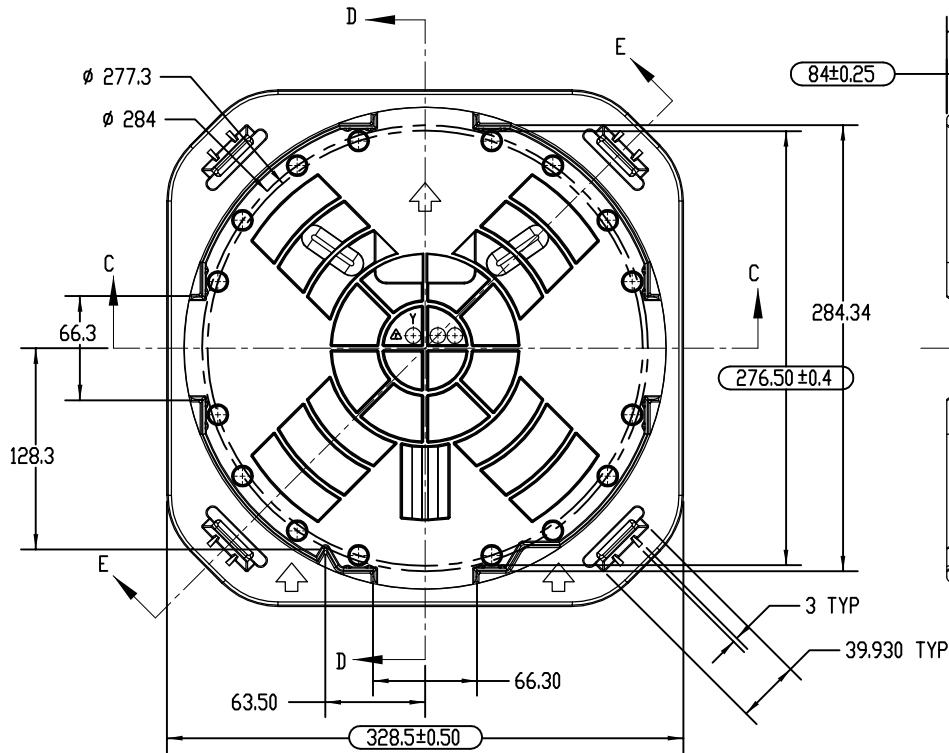
REVISIONS					
ZONE	REV	ECN	DESCRIPTION	DATE	APPROVED
	**	5774577	NEW SPECS	-	-
	*A	5781217	ADD TOP AND BOTTOM DRAWING	06/21/17	WYSI



- NOTES:
1. DENOTES CRITICAL INSPECTION DIMENSION \equiv
 2. SURFACE RESISTIVITY $\leq 10^5 \Omega\text{ms}/\text{SQ}$
 3. DIMENSIONS HAVE BEEN APPLIED TO EXISTING GEOMETRY, NOT TO PROJECTED CORNERS OR EDGES

THIS DRAWING CONTAINS INFORMATION WHICH IS THE PROPRIETARY PROPERTY OF CYPRESS SEMICONDUCTOR CORPORATION. THIS DRAWING IS RECEIVED IN CONFIDENCE AND ITS CONTENTS MAY NOT BE DISCLOSED WITHOUT WRITTEN CONSENT OF CYPRESS SEMICONDUCTOR CORPORATION.

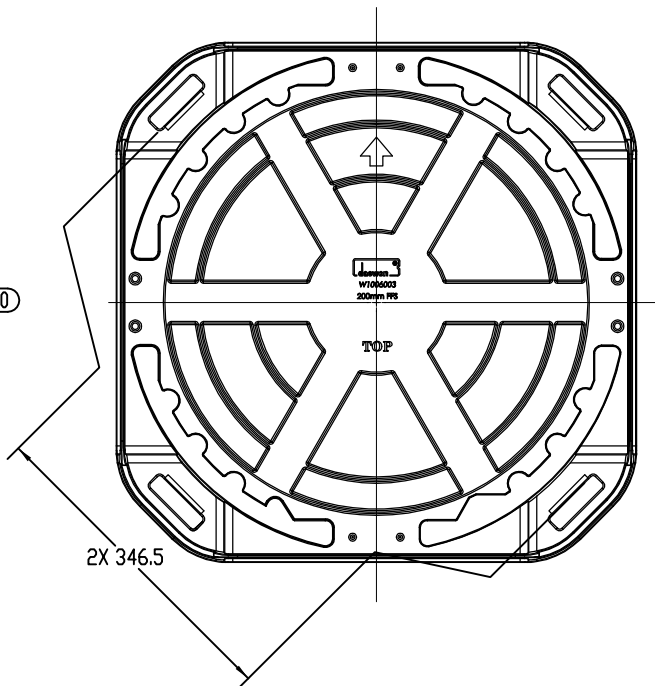
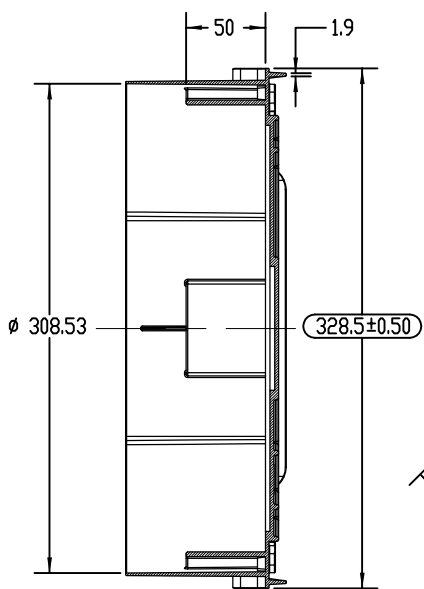
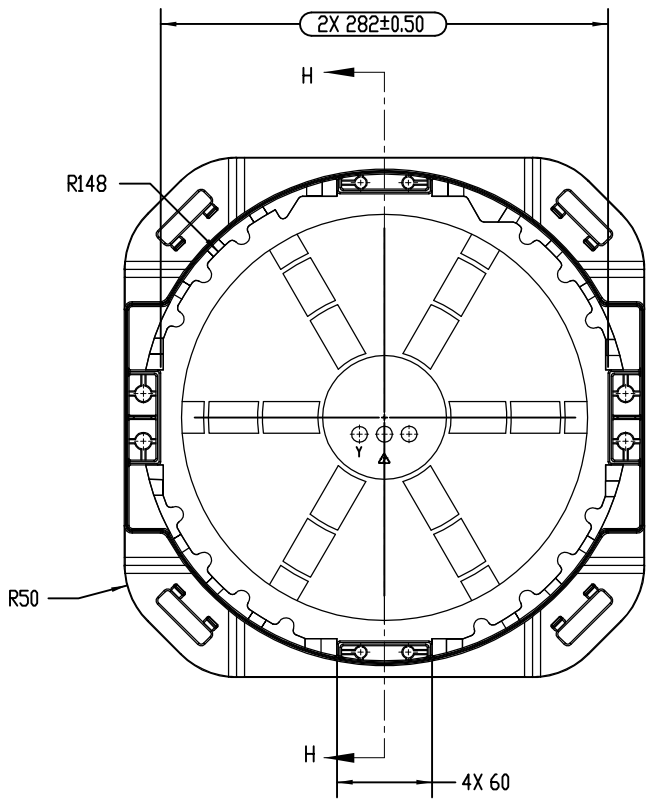
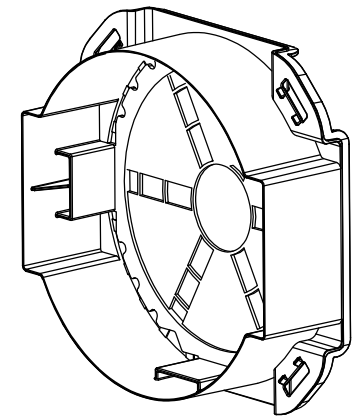
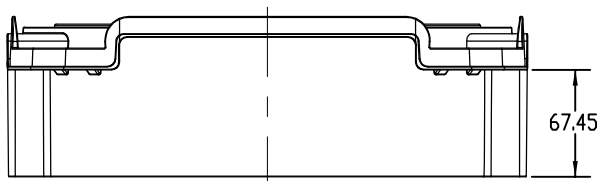
UNLESS OTHERWISE SPECIFIED		DESIGNED BY	DATE									
ALL DIMENSIONS ARE IN MILLIMETERS STANDARD TOLERANCES ON:		DAEWON	06-15-17									
DECIMALS	ANGLES	DRAWN BY	DATE	WAFER FILM FRAME SHIPPER								
.X ± 0.5	± 5°	FJC	06-15-17									
.XXX ± 0.25		CHECKED BY	DATE	<table border="1"> <tr> <td>SIZE</td> <td>PART NO.</td> <td>DWG NO</td> <td>REV</td> </tr> <tr> <td>A</td> <td>W1006003</td> <td>002-20071</td> <td>*A</td> </tr> </table>	SIZE	PART NO.	DWG NO	REV	A	W1006003	002-20071	*A
SIZE	PART NO.	DWG NO	REV									
A	W1006003	002-20071	*A									
.XXX ± 0.125		APPROVED BY	DATE									
MATERIAL	PP + CP	WYSI	06-15-17									
FINISH		CGON	06-15-17	<table border="1"> <tr> <td>SCALED TO FIT</td> <td>PRODUCTION</td> <td>SHEET 1 OF 3</td> </tr> </table>	SCALED TO FIT	PRODUCTION	SHEET 1 OF 3					
SCALED TO FIT	PRODUCTION	SHEET 1 OF 3										
		APPROVED BY	DATE									
		-	-									



- NOTES:
1. DENOTES CRITICAL INSPECTION DIMENSION
 2. SURFACE RESISTIVITY $\leq 10^5 \Omega \text{ms}/\text{SQ}$
 3. DIMENSIONS HAVE BEEN APPLIED TO EXISTING GEOMETRY, NOT TO PROJECTED CORNERS OR EDGES

THIS DRAWING CONTAINS INFORMATION WHICH IS THE PROPRIETARY PROPERTY OF CYPRESS SEMICONDUCTOR CORPORATION. THIS DRAWING IS RECEIVED IN CONFIDENCE AND ITS CONTENTS MAY NOT BE DISCLOSED WITHOUT WRITTEN CONSENT OF CYPRESS SEMICONDUCTOR CORPORATION.

UNLESS OTHERWISE SPECIFIED		DESIGNED BY	DATE	CYPRESS Company Confidential
ALL DIMENSIONS ARE IN MILLIMETERS STANDARD TOLERANCES ON:		DAEWON	06-15-17	
DECIMALS	ANGLES	DRAWN BY	DATE	WAFER FILM FRAME SHIPPER (BOTTOM)
.X ± 0.5	± 5°	FJC	06-15-17	
.XXX ± 0.25		CHECKED BY	DATE	SIZE PART NO. DWG NO. REV
.XXXX ± 0.125		FJC	06-15-17	
MATERIAL	PP + CP	APPROVED BY	DATE	SCALED TO FIT PRODUCTION SHEET 2 OF 3
FINISH		CGON	06-15-17	
		APPROVED BY	DATE	
		-	-	



- NOTES:
1. DENOTES CRITICAL INSPECTION DIMENSION
 2. SURFACE RESISTIVITY $\leq 10^5 \Omega_{\text{sq}}$
 3. DIMENSIONS HAVE BEEN APPLIED TO EXISTING GEOMETRY, NOT TO PROJECTED CORNERS OR EDGES

THIS DRAWING CONTAINS INFORMATION WHICH IS THE PROPRIETARY PROPERTY OF CYPRESS SEMICONDUCTOR CORPORATION. THIS DRAWING IS RECEIVED IN CONFIDENCE AND ITS CONTENTS MAY NOT BE DISCLOSED WITHOUT WRITTEN CONSENT OF CYPRESS SEMICONDUCTOR CORPORATION.

UNLESS OTHERWISE SPECIFIED		DESIGNED BY	DAEWON	DATE	06-15-17	CYPRESS Company Confidential
ALL DIMENSIONS ARE IN MILLIMETERS		DRAWN BY	FJC	DATE	06-15-17	
STANDARD TOLERANCES ON:		CHECKED BY	FJC	DATE	06-15-17	
DECIMALS	ANGLES	APPROVED BY	WYSI	DATE	06-15-17	
.X ± 0.5	± 5°	APPROVED BY	CGON	DATE	06-15-17	
.XXX ± 0.25		APPROVED BY	-	DATE	-	
.XXXX ± 0.125		FINISH				
MATERIAL		PP + CP		SIZE		A
				PART NO.		W1006003
				DWG NO		002-20071
				REV		*A
				SCALED TO FIT		PRODUCTION
						SHEET 3 OF 3