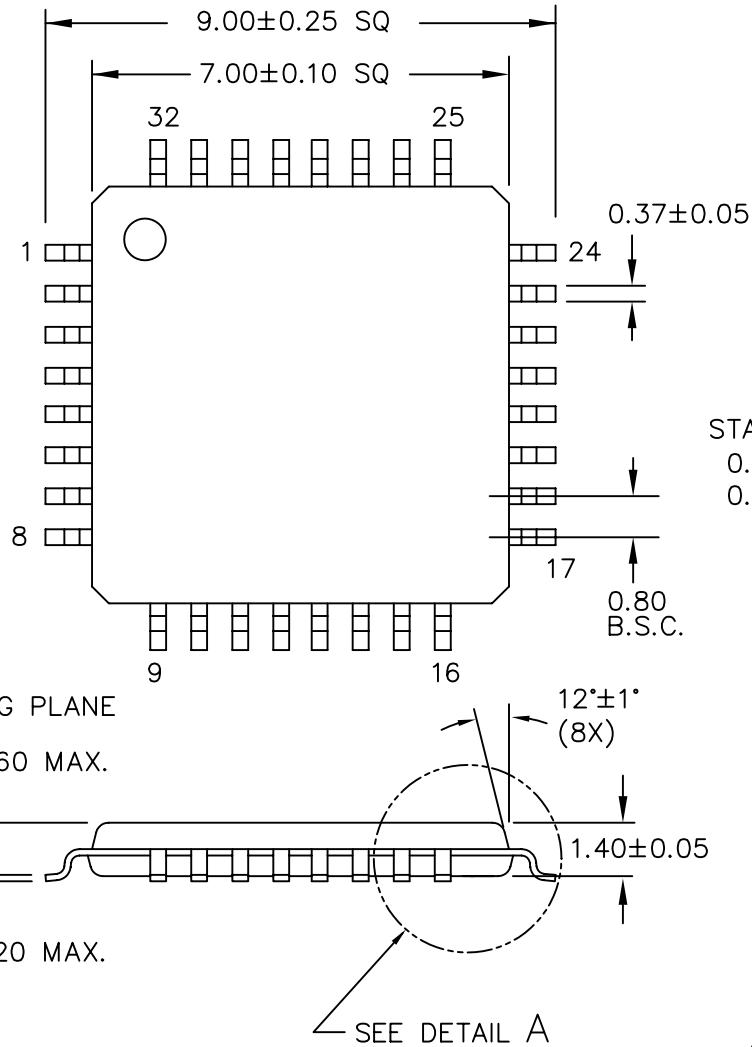
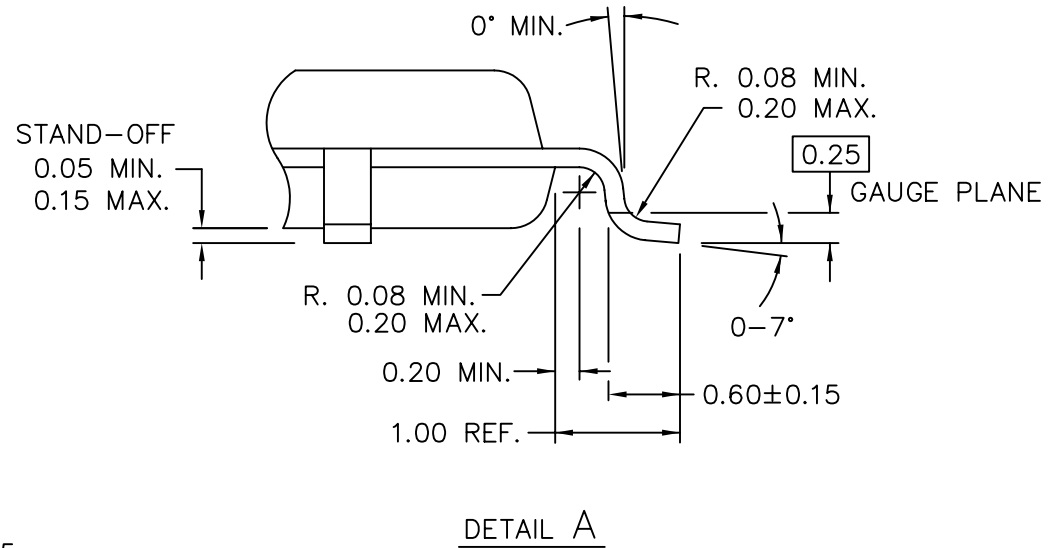


32 Lead Thin Plastic Quad Flatpack 7 X 7 X 1.4mm



DIMENSIONS ARE IN MILLIMETERS
PKG WEIGHT: REFER TO PMDD SPEC



REVISIONS						
PAGE	ZONE	REV	ECN	DESCRIPTION	DATE	APPROVED
1	-	**	47074	NEW RELEASE	11/01/96	N/A
1	-	*A	49488	CHANGE TITLE	03/28/97	N/A
1	-	*B	115051	REACTIVATE SPEC.	04/23/02	N/A
1	-	*C	2833453	Changed template, & title from 32LD TQFP (7 X 7 X 1.4) PKG OUTLINE to PACKAGE OUTLINE, 32LD TQFP 7X7X1.4 MM A3214.	12/28/09	QAD
1	-	*D	3352919	UPDATE SPECS FOR SUNSET REVIEW. NO CHANGE.	08/24/11	QAD
1	-	*E	3722534	ADDED "PKG WEIGHT: REFER TO PMDD SPEC".	08/24/12	QAD

THIS DRAWING CONTAINS INFORMATION WHICH IS THE PROPRIETARY PROPERTY OF CYPRESS SEMICONDUCTOR CORPORATION. THIS DRAWING IS RECEIVED IN CONFIDENCE AND ITS CONTENTS MAY NOT BE DISCLOSED WITHOUT WRITTEN CONSENT OF CYPRESS SEMICONDUCTOR CORPORATION.

UNLESS OTHERWISE SPECIFIED ALL DIMENSIONS ARE IN MILLIMETERS STANDARD TOLERANCES ARE: DECIMALS .XX ± 0.05 .XXX ± .XXXX +	DESIGNED BY HTN	DATE 04/23/02				
	DRAWN BY HTN	DATE 04/23/02				
ANGLES ± 1°	CHECKED BY EDCA	DATE 08/24/12	TITLE PACKAGE OUTLINE, 32LD TQFP 7X7X1.4 MM A3214			
	APPROVED BY ZZQ	DATE 08/24/12				
MATERIAL N/A	APPROVED BY QAD	DATE 08/24/12	SIZE A	PART NO. A3214	DWG NO 51-85088	REV *E
FINISH N/A	APPROVED BY CMG	DATE 08/24/12	SCALED TO FIT	N/A	SHEET 1 OF 1	