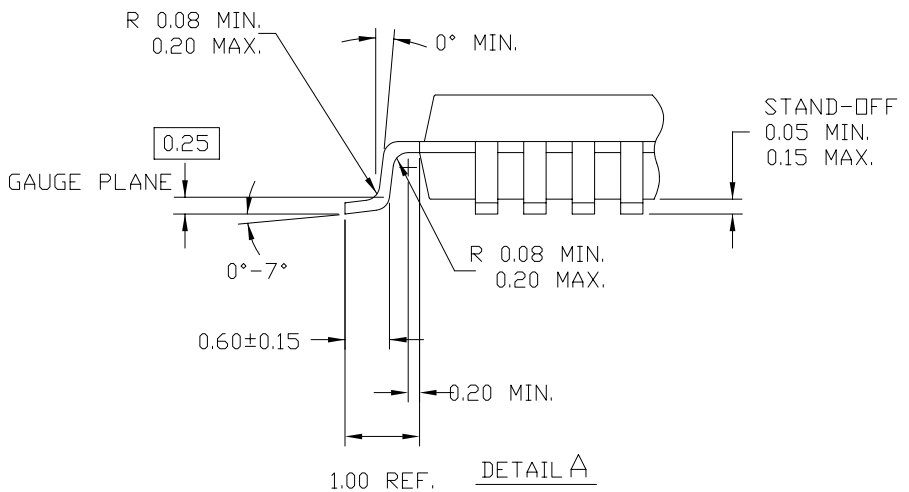
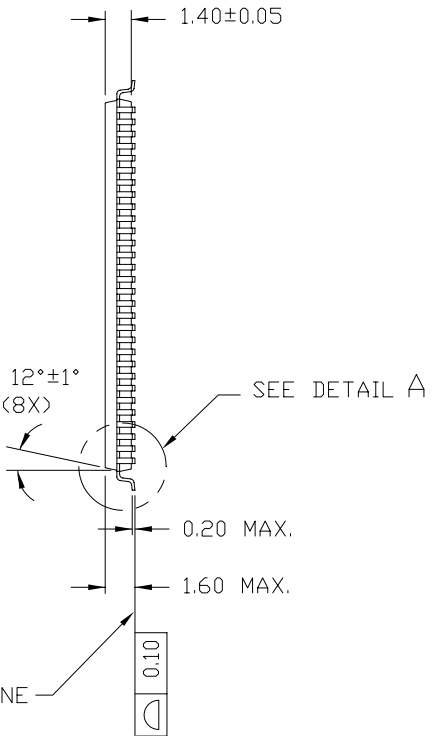
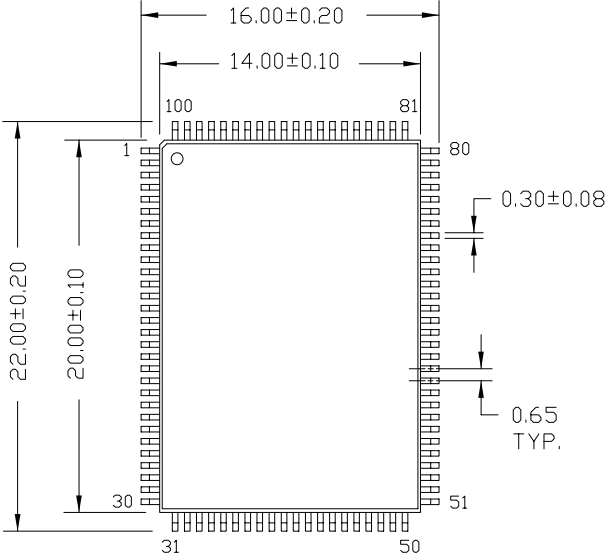


REVISIONS						
PAGE	ZONE	REV	ECN	DESCRIPTION	DATE	APPROVED
1	-	**	570	NEW RELEASE	04/17/96	
1	-	*A	49399	DEL. NOTES, CHG. TITLE	03/25/97	N/A
1	-	*B	412838	ADD NOTES -JEDEC REFERENCE MS-026 -MOLD PROTRUSION/END FLASH INFORMATION	12/09/05	N/A
1	-	*C	2859822	Changed template, & title from 100LD TQFP (14 X 20 X 1.4) PKG OUTLINE to PACKAGE OUTLINE, 100LD TQFP 14X14X1.4 MM A100RA.	01/20/10	QAD

100 Lead Thin Plastic Quad Flatpack 14 X 20 X 1.4mm



NOTE:

1. JEDEC STD REF MS-026
2. BODY LENGTH DIMENSION DOES NOT INCLUDE MOLD PROTRUSION/END FLASH
MOLD PROTRUSION/END FLASH SHALL NOT EXCEED 0.0098 in (0.25 mm) PER SIDE
BODY LENGTH DIMENSIONS ARE MAX PLASTIC BODY SIZE INCLUDING MOLD MISMATCH
3. DIMENSIONS IN MILLIMETERS

UNLESS OTHERWISE SPECIFIED ALL DIMENSIONS ARE IN MILLIMETERS STANDARD TOLERANCES ON: DECIMALS .XX ± 0.05 .XXX ± .XXXX + ANGLES ± 1°	DESIGNED BY ONG	DATE 12/09/05	CYPRESS Company Confidential				
	DRAWN BY ONG	DATE 12/09/05					
	CHECKED BY TSV	DATE 1/20/10					
	APPROVED BY QAD	DATE 1/20/10					
MATERIAL N/A	APPROVED BY JGUA	DATE 1/20/10	TITLE PACKAGE OUTLINE, 100LD TQFP 14X20X1.4 MM A100RA				
FINISH N/A	APPROVED BY N/A	DATE N/A	<table border="1"> <tr> <td>SIZE A</td> <td>PART NO. A100RA</td> <td>DWG NO 51-85050</td> <td>REV *C</td> </tr> </table>	SIZE A	PART NO. A100RA	DWG NO 51-85050	REV *C
SIZE A	PART NO. A100RA	DWG NO 51-85050	REV *C				

THIS DRAWING CONTAINS INFORMATION WHICH IS THE PROPRIETARY PROPERTY OF CYPRESS SEMICONDUCTOR CORPORATION. THIS DRAWING IS RECEIVED IN CONFIDENCE AND ITS CONTENTS MAY NOT BE DISCLOSED WITHOUT WRITTEN CONSENT OF CYPRESS SEMICONDUCTOR CORPORATION.