

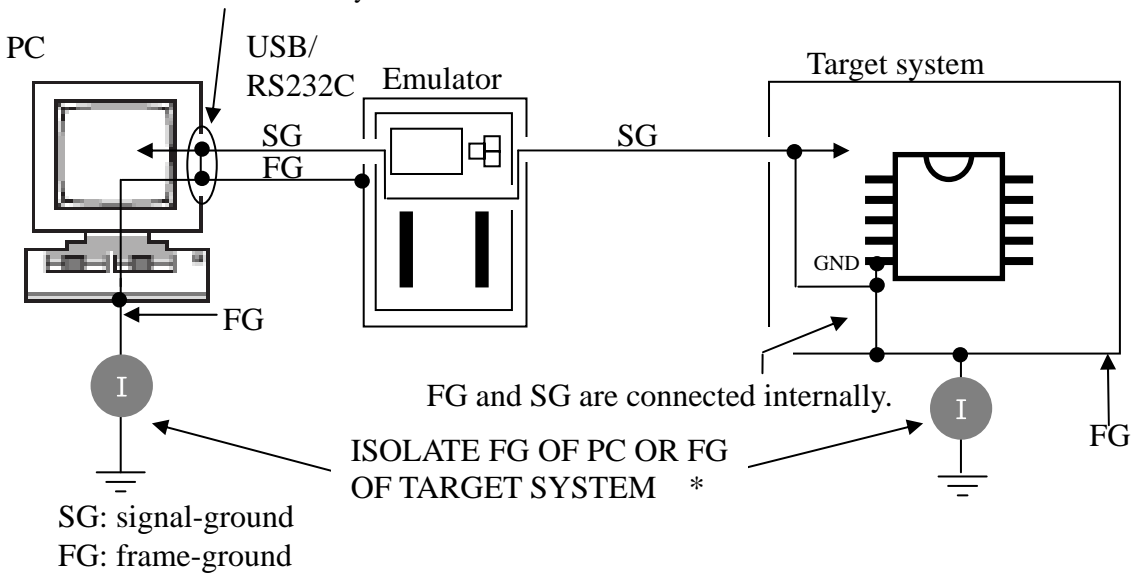
CAUTION

CAUTION regarding use of emulator

If frame-ground (FG) and signal-ground (SG) are connected internally in a target system, smoke, fire, damaging a device and electrical shock might happen by large current generated by voltage difference between signal-grounds. In order to avoid such hazard, please disconnect the frame-ground (FG) and the signal-ground (SG) of the target system. If such circuit change is difficult, please isolate frame-ground (FG) of PC or frame-ground (FG) of the target system with referring figure below.

ISOLATION OF FRAME-GROUND

FG and SG are connected internally in PC.



*Be careful for electrical shock