
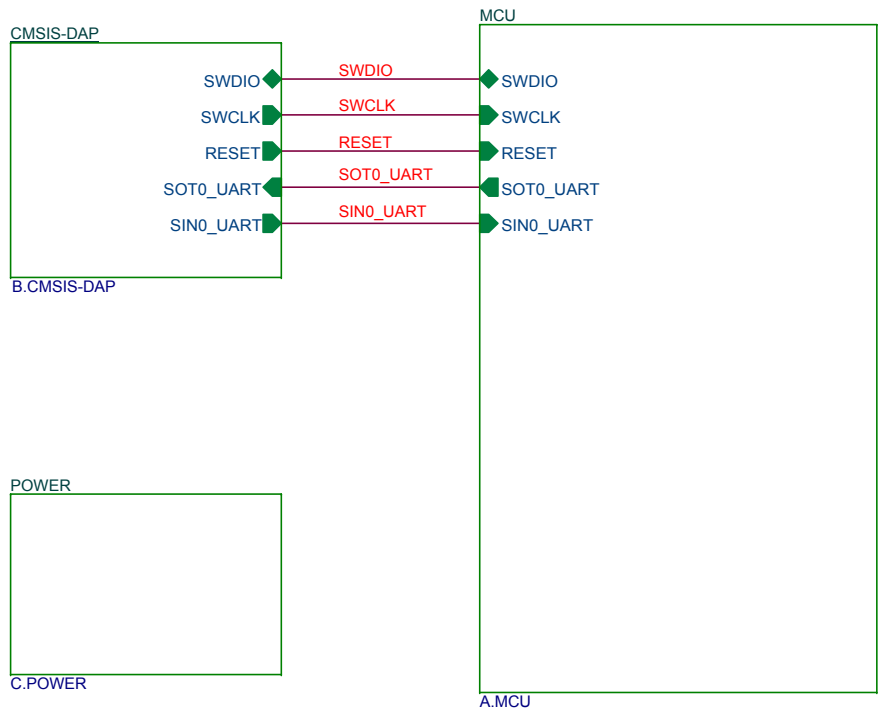


Revision History

| Version | Date | Update by | Modifications |
|---------|------------|-----------|--|
| 0.1.0 | 2013-10-17 | Rex Cao | First draft |
| 1.0.0 | 2013-11-20 | Rex Cao | Reviewed version |
| 1.1.0 | 2014-02-07 | Rex Cao | Add two jumpers to UART I/F between U1 to U2 |
| 1.2.0 | 2014-04-09 | Rex Cao | Update the title bar |
| 1.3.0 | 2014-07-01 | Rex Cao | Update U1 to S6E1A12C0A |

| | | |
|---------------------------------|--------------------------|---|
| Spansion Inc. | |  |
| Author: Rex.Cao | | |
| Title (SCH)SK-FM0-V48-S6E1A1 | | |
| Size A4 | Document Number Cover | Rev V1.3.0 |
| Date: Tuesday, July 01, 2014 | Sheet 1 of 5 | |



Spansion Inc.

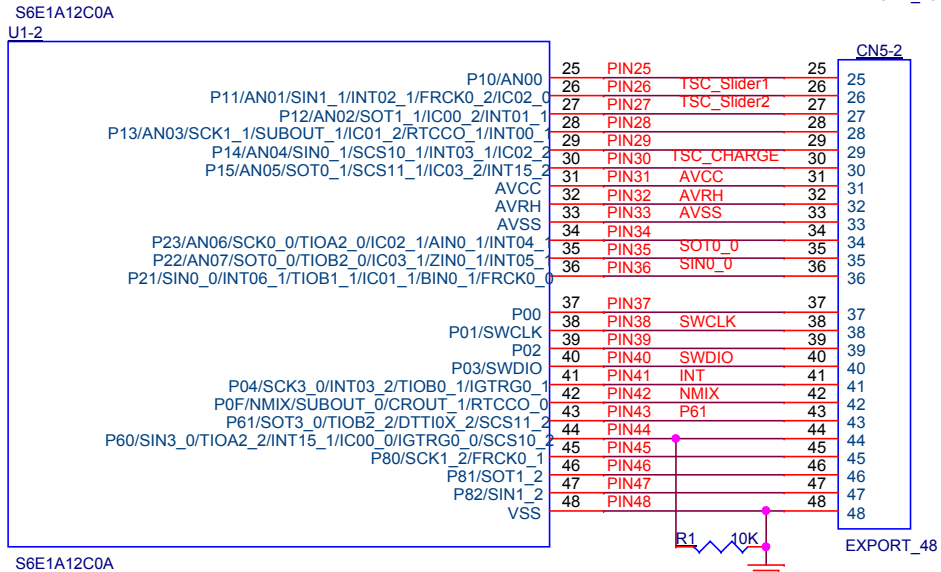
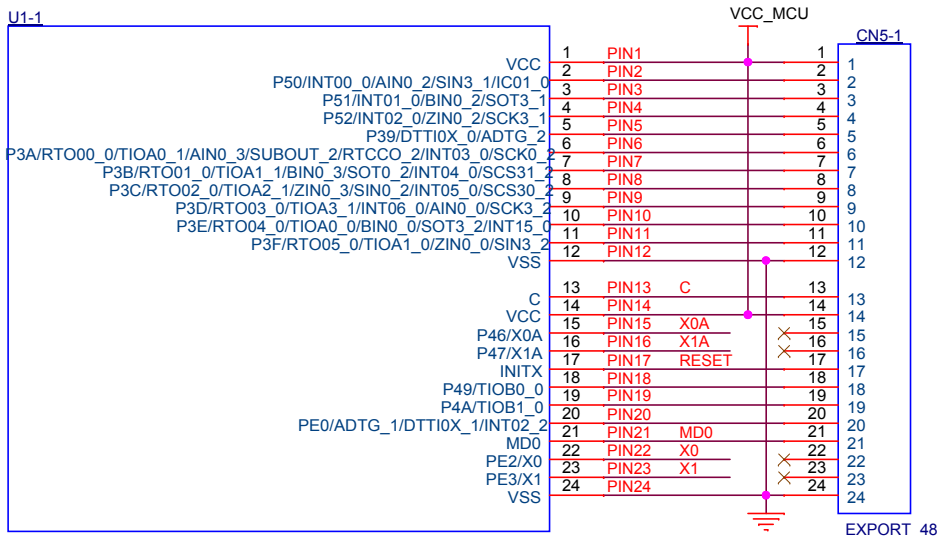


Author: Rex.Cao

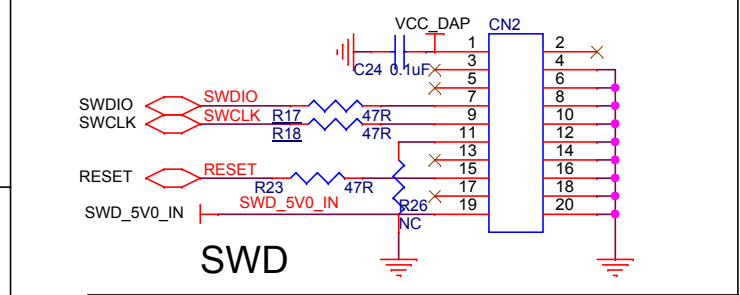
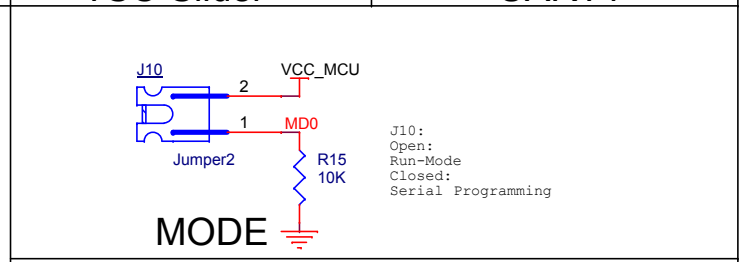
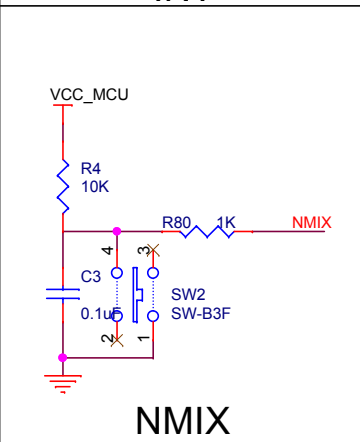
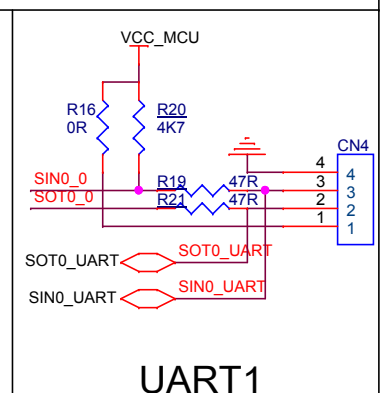
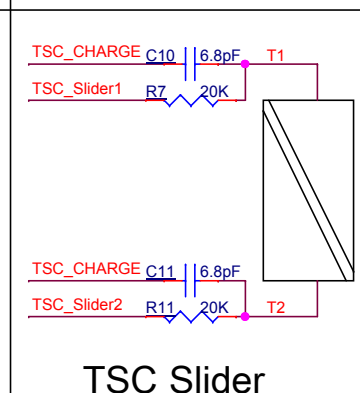
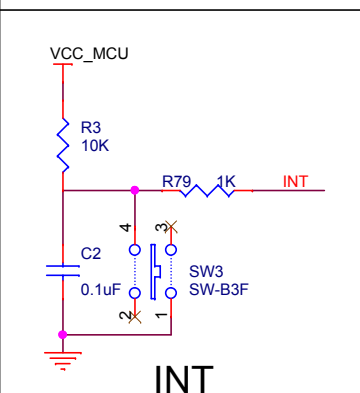
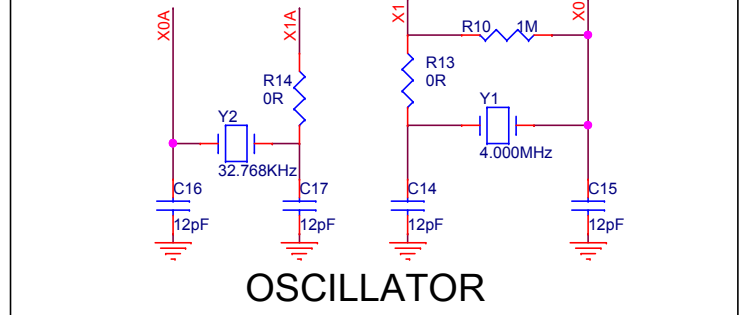
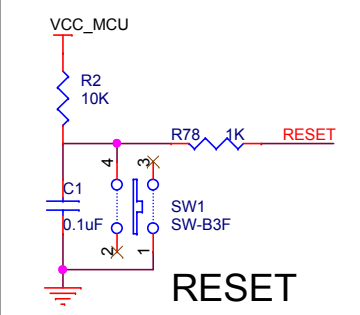
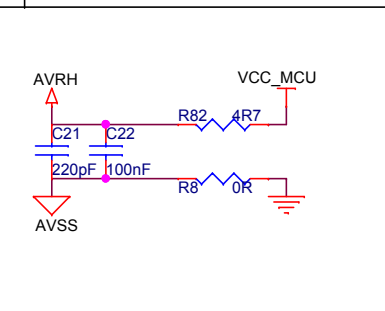
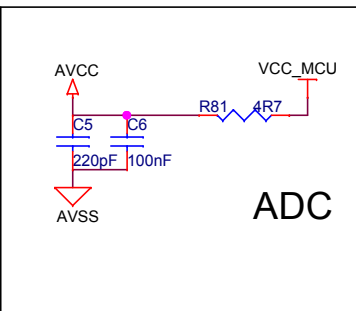
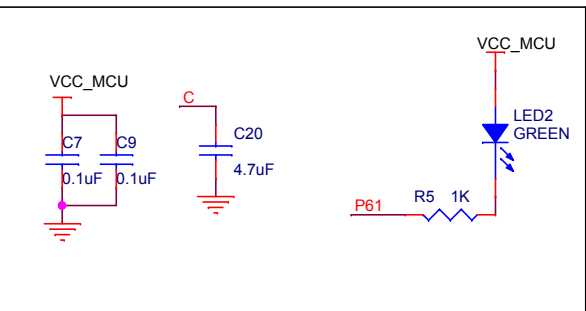
Title (SCH)SK-FM0-V48-S6E1A1

| | | |
|------------|--------------------------------------|---------------|
| Size A4 | Document Number Hierarchical_Page | Rev V1.3.0 |
|------------|--------------------------------------|---------------|

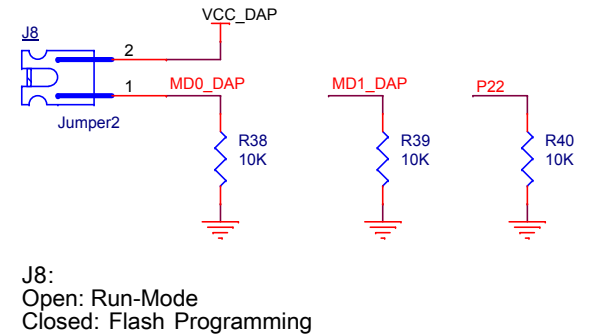
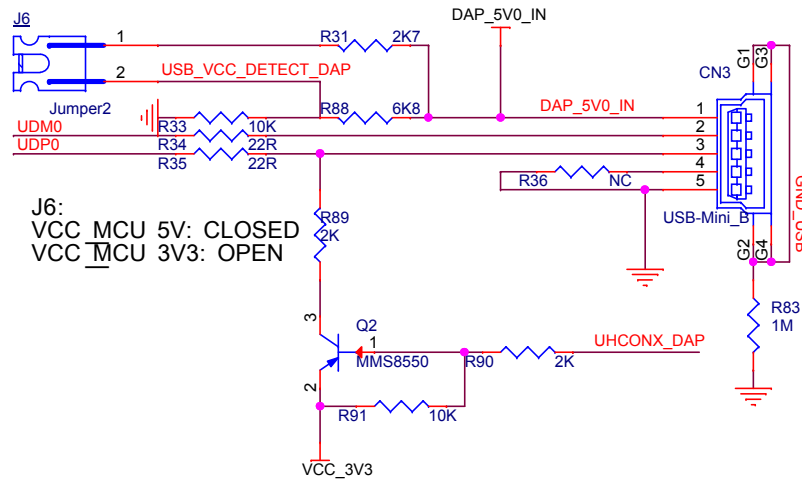
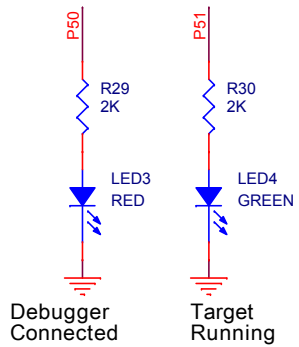
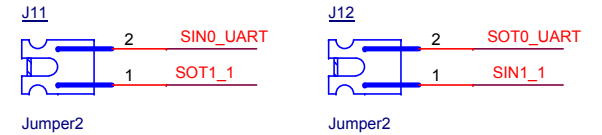
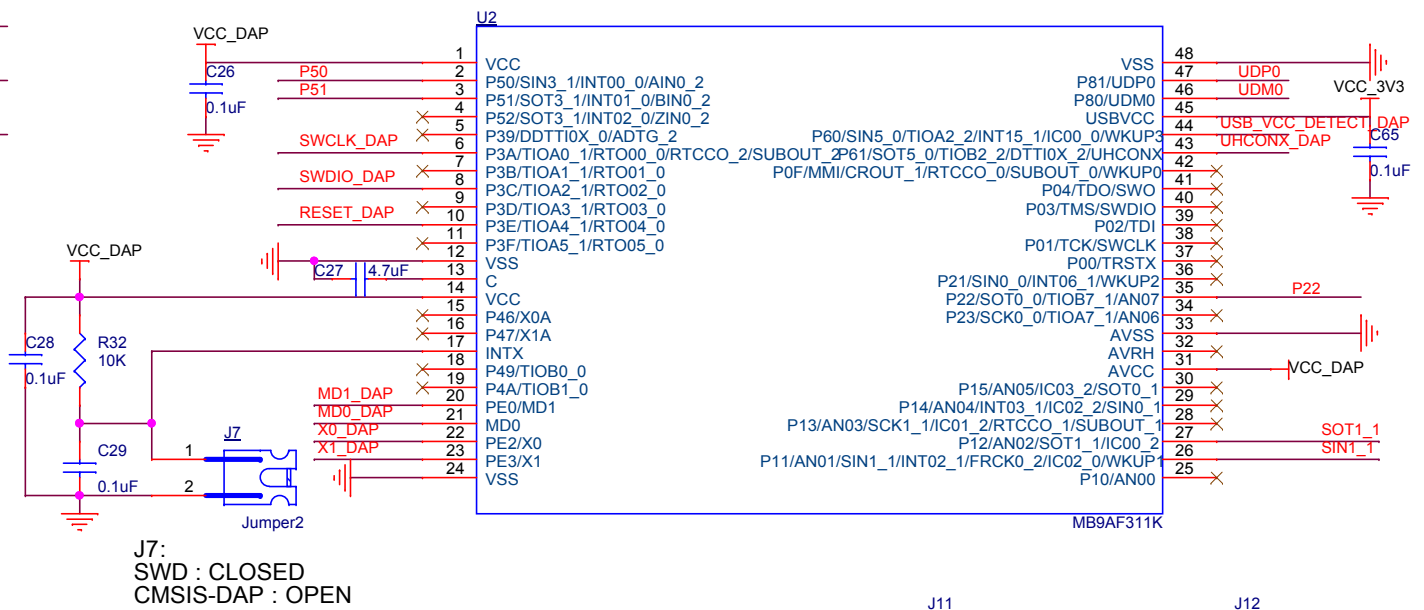
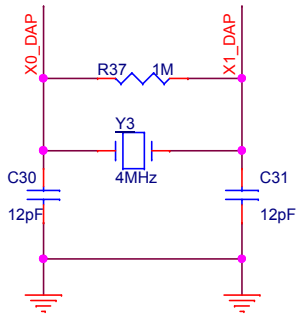
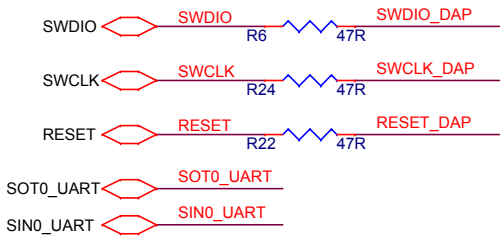
Date: Tuesday, July 01, 2014 Sheet 2 of 5

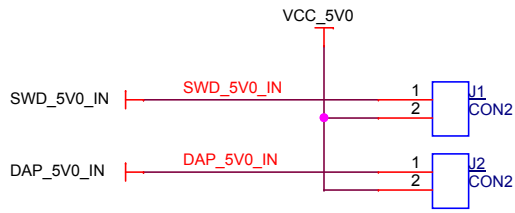


MCU

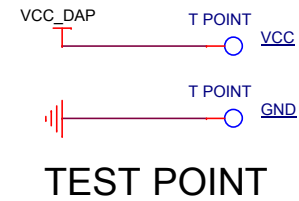
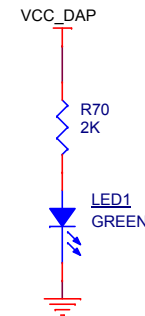
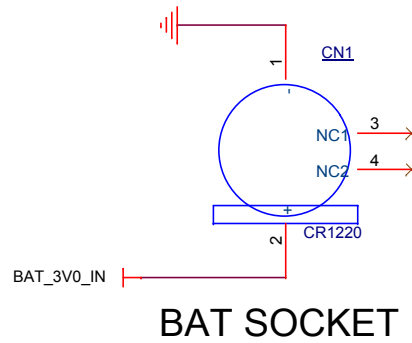
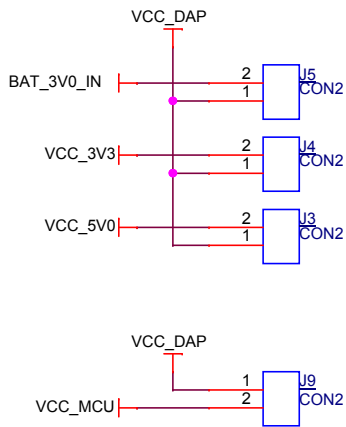
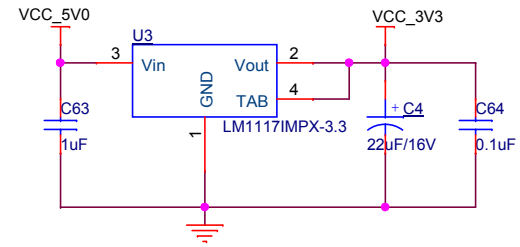


| | | |
|-------------------------------|----------------------|-------------|
| Spansion Inc. | | |
| Author: Rex.Cao | | |
| Title: (SCH)SK-FM0-V48-S6E1A1 | | |
| Size: A4 | Document Number: MCU | Rev: V1.3.0 |
| Date: Tuesday, July 01, 2014 | Sheet: 3 | of 5 |





5V Power Select:
 SWD : Closed J1
 CMSIS-DAP : Closed J2



Spanسیون Inc.

Author: Rex.Cao



Title
 (SCH)SK-FM0-V48-S6E1A1

| | | |
|------------|--------------------------|---------------|
| Size A4 | Document Number POWER | Rev V1.3.0 |
|------------|--------------------------|---------------|

Date: Tuesday, July 01, 2014 Sheet 5 of 5