

Spansion[®] Analog and Microcontroller Products



The following document contains information on Spansion analog and microcontroller products. Although the document is marked with the name "Fujitsu", the company that originally developed the specification, Spansion will continue to offer these products to new and existing customers.

Continuity of Specifications

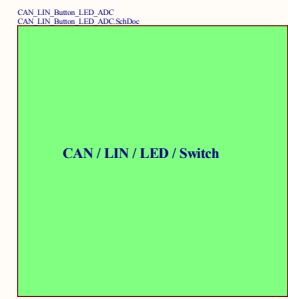
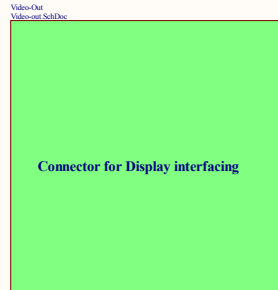
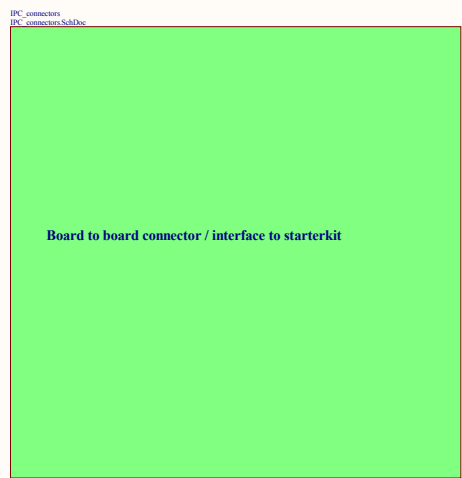
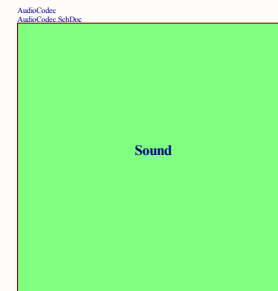
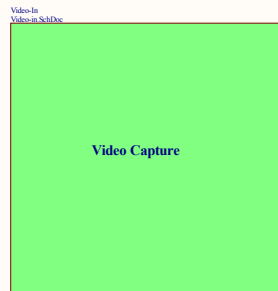
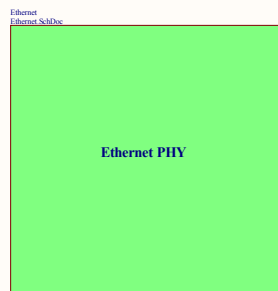
There is no change to this document as a result of offering the device as a Spansion product. Any changes that have been made are the result of normal document improvements and are noted in the document revision summary, where supported. Future routine revisions will occur when appropriate, and changes will be noted in a revision summary.

Continuity of Ordering Part Numbers

Spansion continues to support existing part numbers beginning with "MB". To order these products, please use only the Ordering Part Numbers listed in this document.

For More Information

Please contact your local sales office for additional information about Spansion memory, analog, and microcontroller products and solutions.



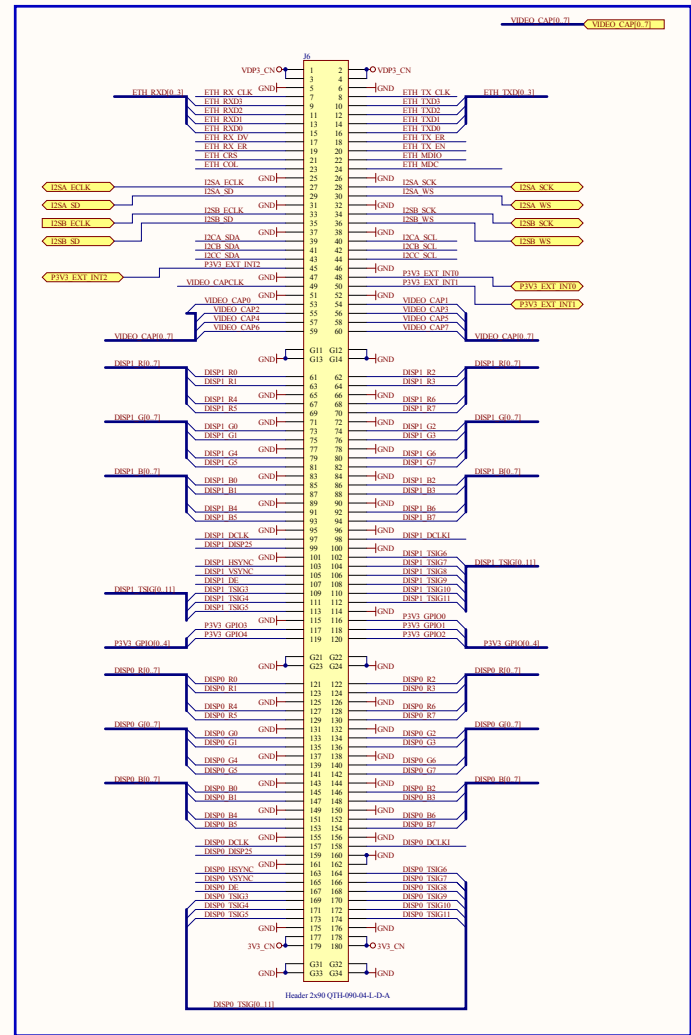
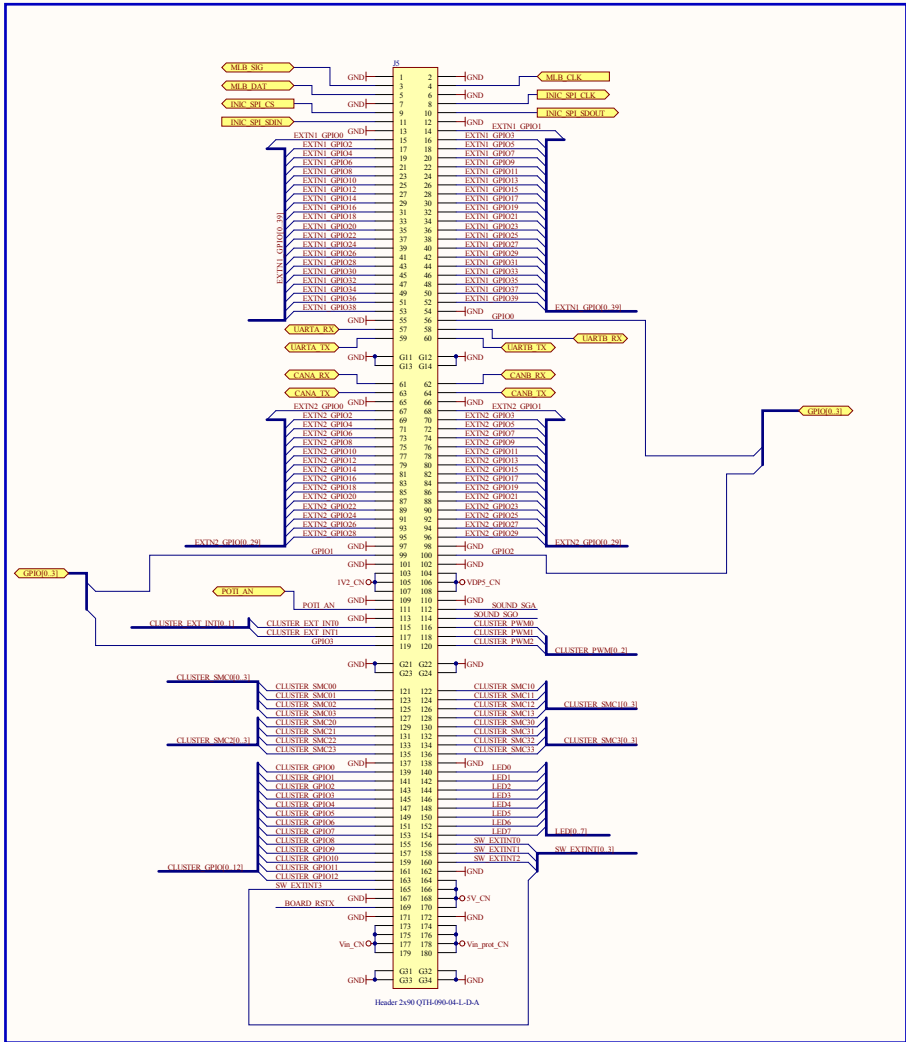
All parts in brackets [] are not soldered

```

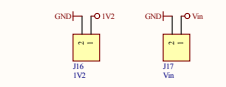
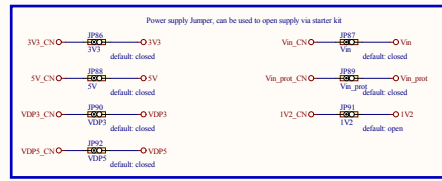
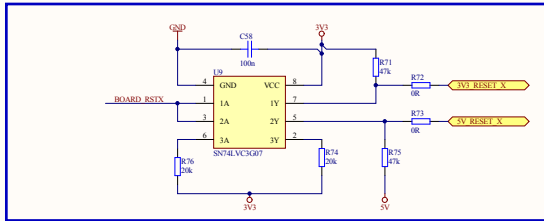
*****
***/
/*      (C) Fujitsu Semiconductor Europe GmbH
*/
/* The schematic is provided without charge for demonstration pur
*/
/* only, subject to alterations.
*/
/* FSEU does not warrant that the deliverables do not infringe ar
*/
/* third party intellectual property right (IPR). In the event th
*/

```

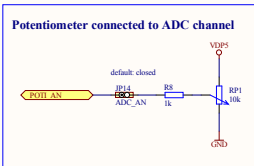
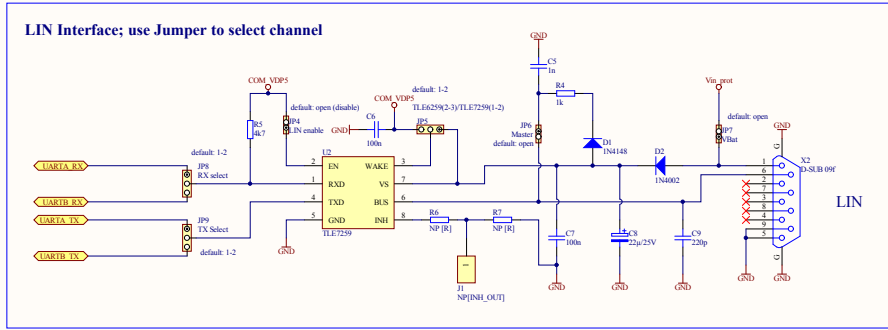
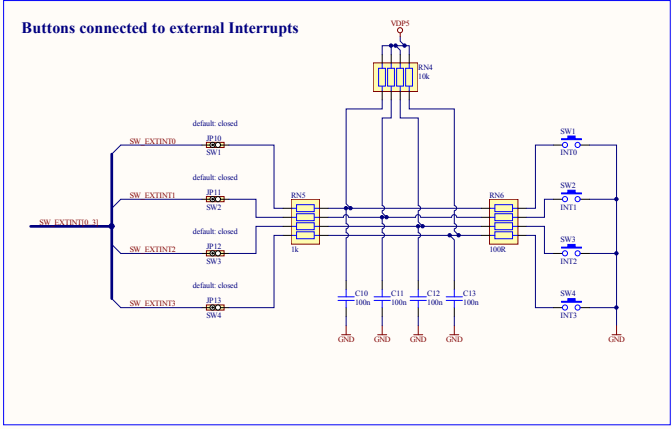
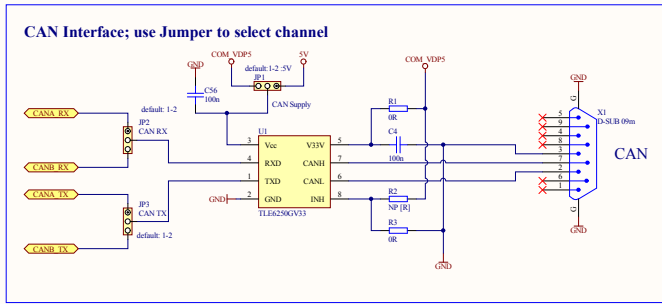
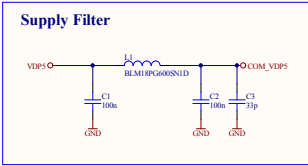
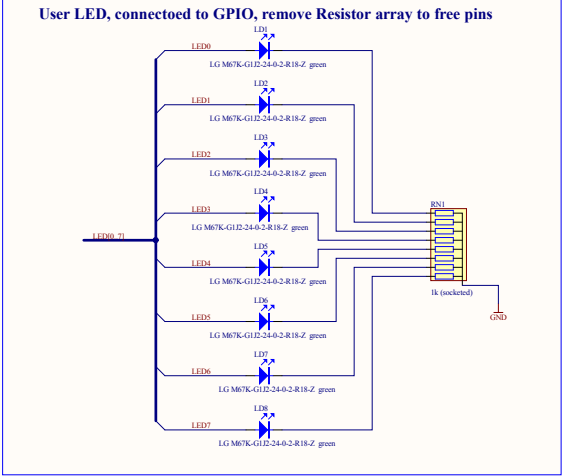
Board to board connector: Interface to starter kits



.....
 /* (C) Fujitsu Semiconductor Europe GmbH */
 /* The schematic is provided without charge for demonstration purposes */
 /* only, subject to alterations. */
 /* FSEU does not warrant that the deliverables do not infringe any */
 /* third party intellectual property right (IPR). In the event that */
 /* the deliverables infringe a third party IPR it is the sole */
 /* responsibility of the customer to obtain necessary licenses to */
 /* continue the usage of the deliverable. */
 /* FSEU disclaims any warranty and liability. */
 /* (V1.3) */



All parts in brackets [] are not soldered

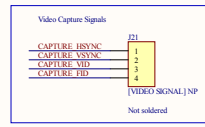
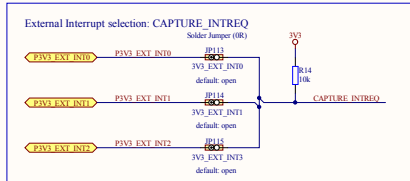
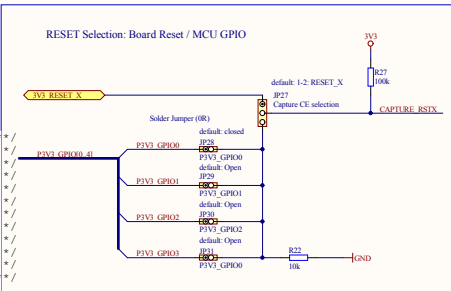
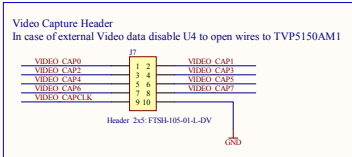
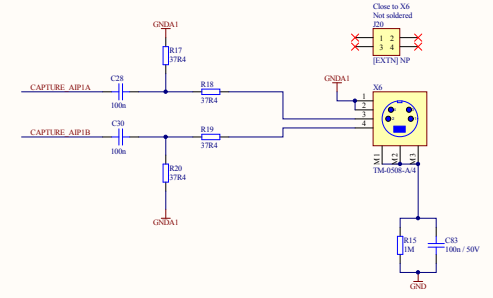
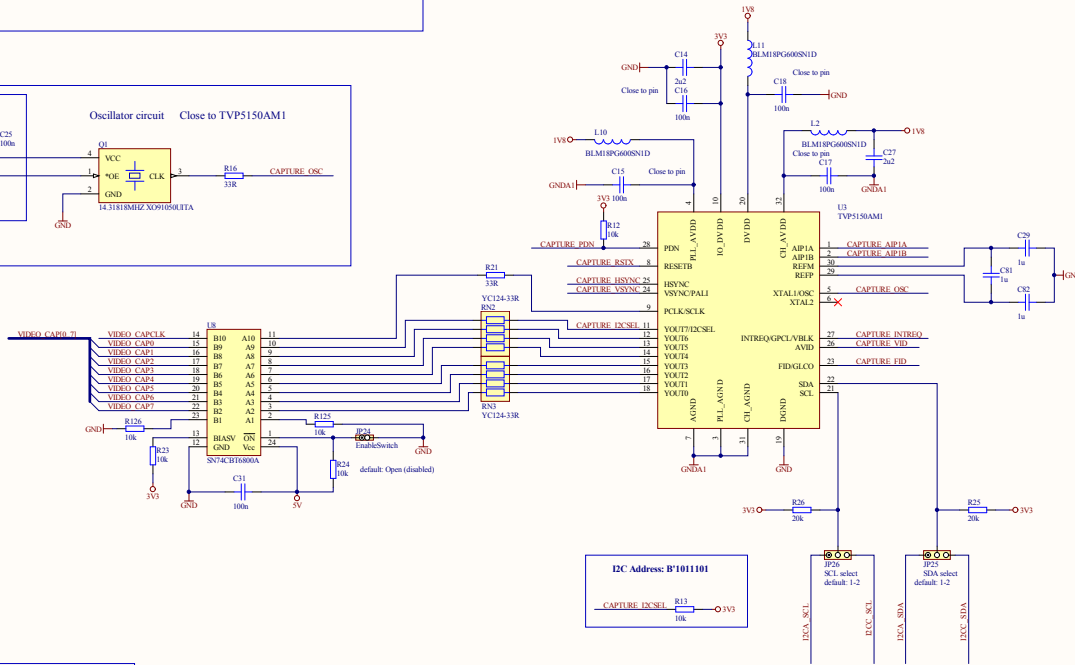
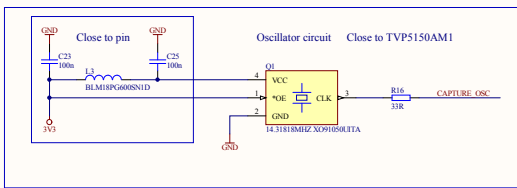
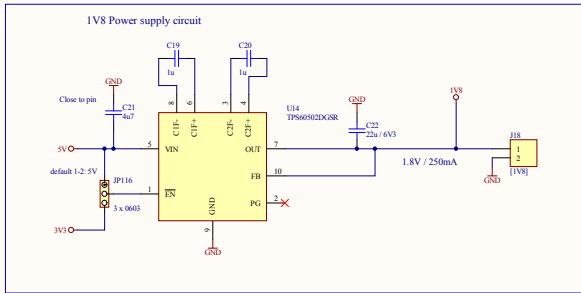


```

/*
* (C) Fujitsu Semiconductor Europe GmbH
* The schematic is provided without charge for demonstration purposes
* only, subject to alterations.
* FSEU does not warrant that the deliverables do not infringe any
* third party intellectual property right (IPR). In the event that
* the deliverables infringe a third party IPR, it is the sole
* responsibility of the customer to obtain necessary licenses to
* continue the usage of the deliverable.
* FSEU disclaims any warranty and liability.
* (V1.3)
*/

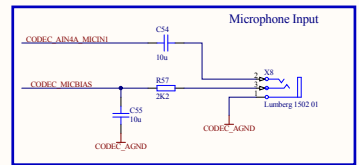
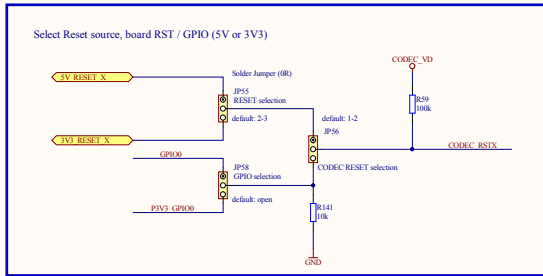
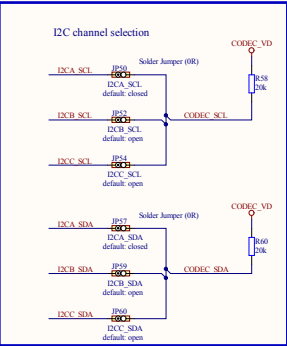
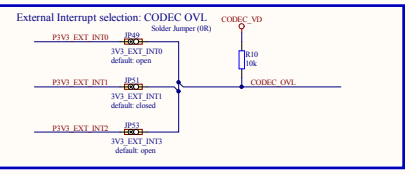
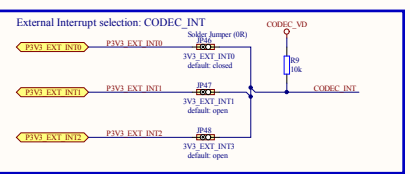
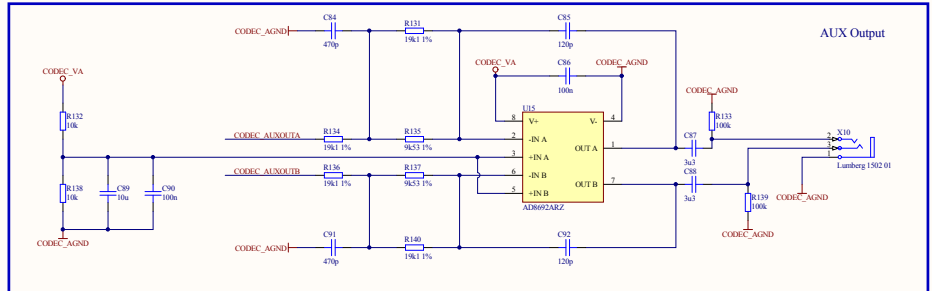
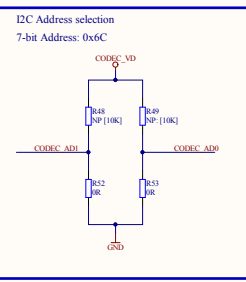
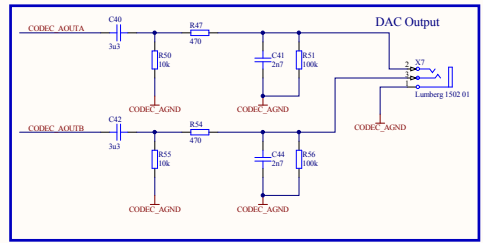
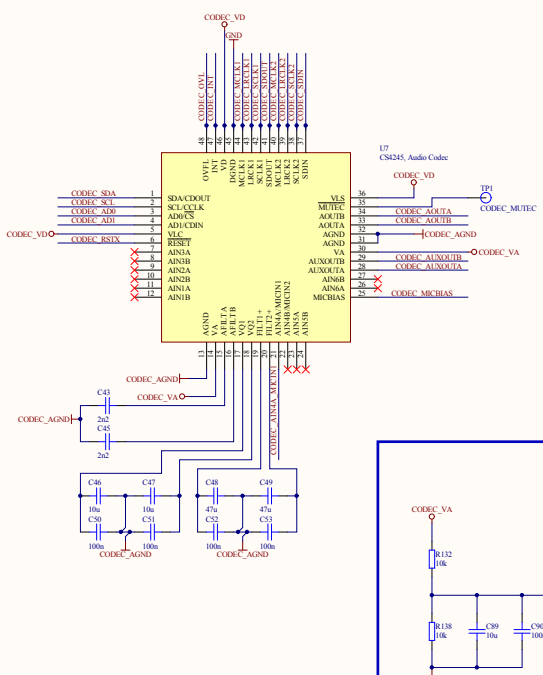
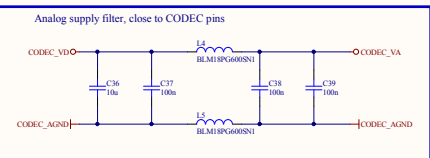
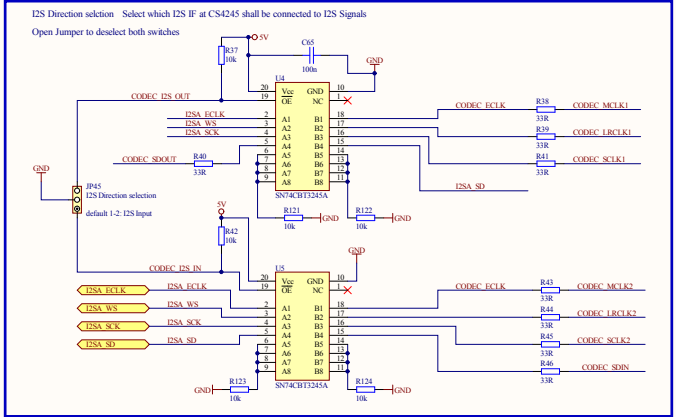
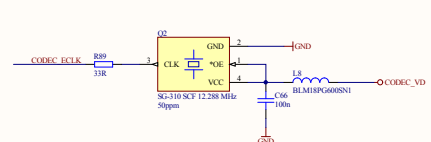
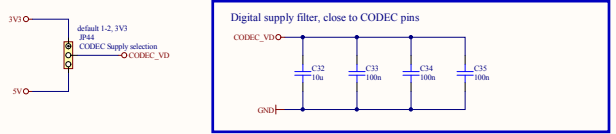
```

All parts in brackets [] are not soldered



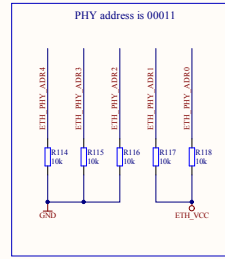
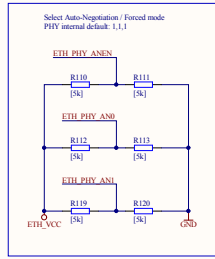
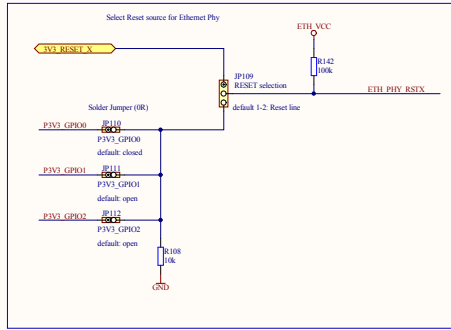
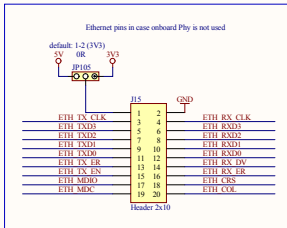
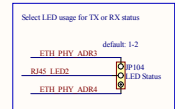
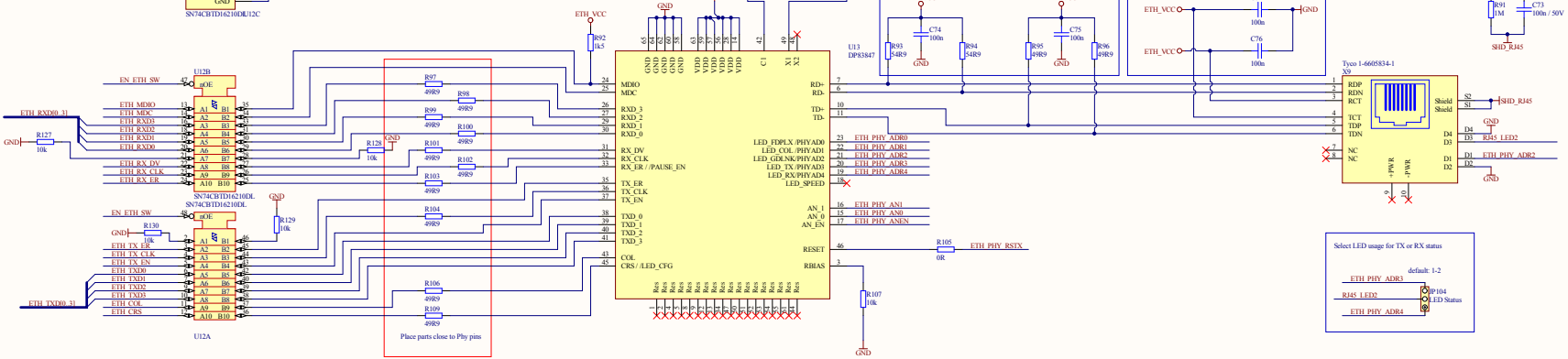
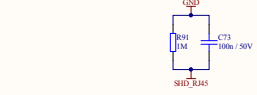
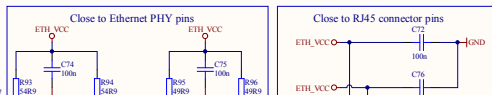
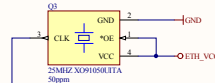
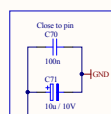
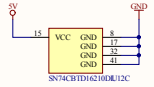
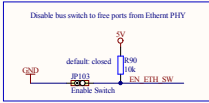
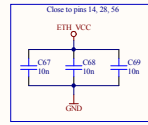
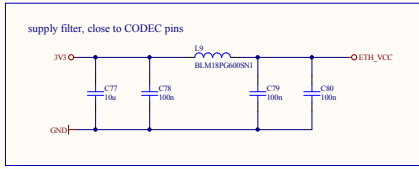
All parts in brackets [] are not soldered

 /* (C) Fujitsu Semiconductor Europe GmbH
 /* The schematic is provided without charge for demonstration purposes
 /* only, subject to alterations.
 /* FSEU does not warrant that the deliverables do not infringe any
 /* third party intellectual property right (IPR). In the event that
 /* the deliverables infringe a third party IPR, it is the sole
 /* responsibility of the customer to obtain necessary licenses to
 /* continue the usage of the deliverable.
 /* FSEU disclaims any warranty and liability.
 /* (V1.3)
 /******



/*
 /* (C) Fujitsu Semiconductor Europe GmbH
 /* The schematic is provided without charge for demonstration purposes
 /* only, subject to alterations.
 /* FSEU does not warrant that the deliverables do not infringe any
 /* third party intellectual property right (IPR). In the event that
 /* the deliverables infringe a third party IPR it is the sole
 /* responsibility of the customer to obtain necessary licenses to
 /* continue the usage of the deliverable.
 /* FSEU disclaims any warranty and liability.
 /* (V1.3)
 /*

All parts in brackets [] are not soldered



/*
 /* (C) Fujitsu Semiconductor Europe GmbH
 /* The schematic is provided without charge for demonstration purposes
 /* only, subject to alterations.
 /* FSEU does not warrant that the deliverables do not infringe any
 /* third party intellectual property right (IPR). In the event that
 /* the deliverables infringe a third party IPR it is the sole
 /* responsibility of the customer to obtain necessary licenses to
 /* continue the usage of the deliverable.
 /* FSEU disclaims any warranty and liability.
 /* (V1.3)
 /*

All parts in brackets [] are not soldered

