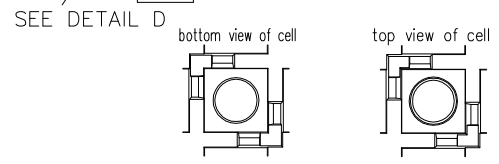
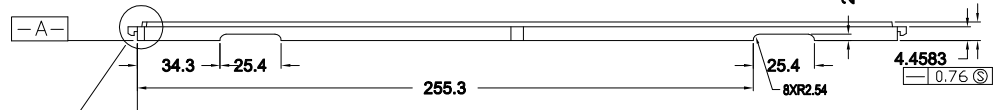
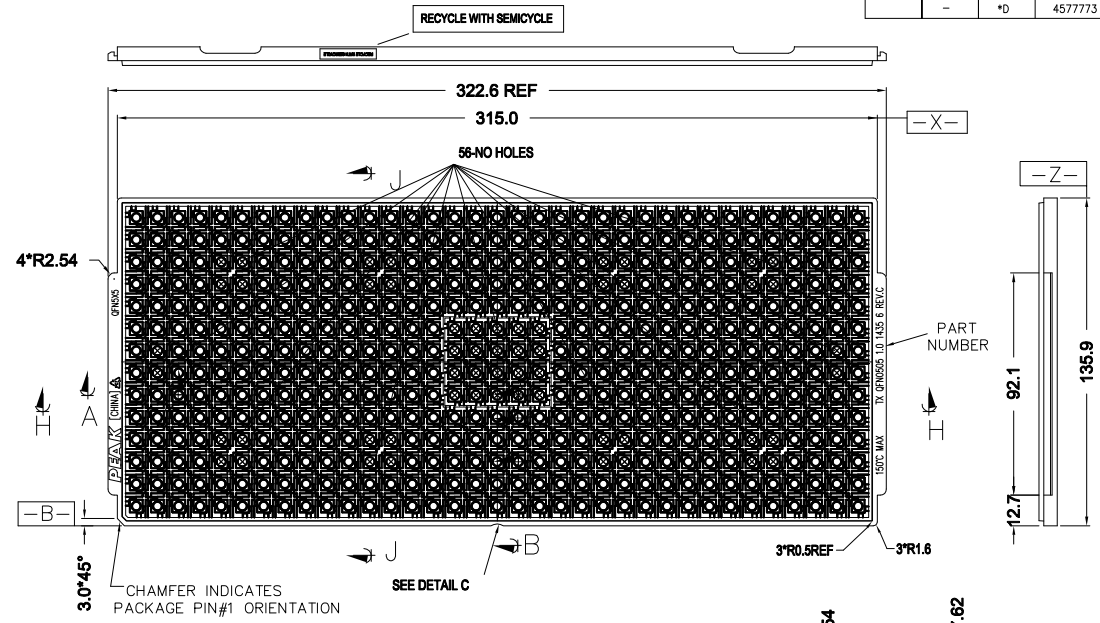


REVISIONS						
PAGE	ZONE	REV	ECN	DESCRIPTION	DATE	APPROVED
-	-	**	128066	NEW SPEC	6/31/03	
-	-	*A	212423	CHANGE DESIGN FROM SQUARE FENCE TO CIRCULAR FENCE FOR IMPROVED SELF ALIGN FEATURE.	3/21/04	
-	-	*B	565977	ADDED TABLE FOR P/N OF BLUE TRAY	11/12/06	
-	-	*C	3778629	SUNSET REVIEW. CHANGE DRAWING TEMPLATE ALIGNED TO 001-49215	10/14/12	
-	-	*D	457773	CORRECTED DIMENSIONS.	11/24/14	



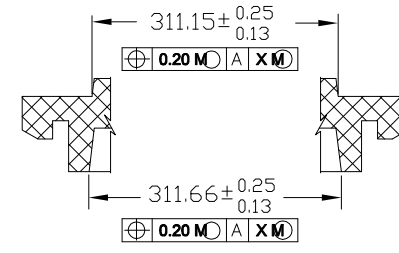
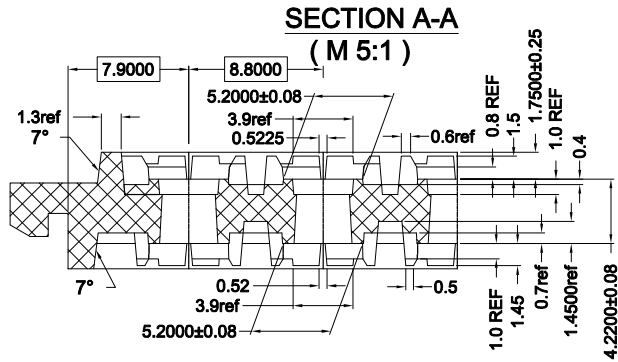
TLF5x5 - B	BLACK
TLF5x5 - R	RED
TLF5x5 - BL	BLUE

- NOTES :
1. MATERIAL - PP6.
 2. ALL DIMENSIONS ARE IN MILLIMETERS.
 3. TOLERANCES - X.X=±0.25
- X.XX=±0.13
DRAFT ANGLES FOR REFERENCES, UNLESS OTHERWISE SPECIFIED.
 4. ESD - SURFACE RESISTIVITY - 10⁵ TO 10¹¹ OHMS/SQ.
 5. FOR PACKAGE - QFN5x5
 6. PART NO. : TX QFN0505 1.0 1435 6 REV.C (PLEASE INDICATE ON PURCHASE ORDER).
 7. DATECODE AT TRAY BOTTOM SIDE.

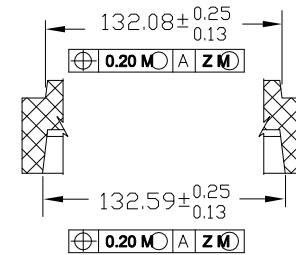
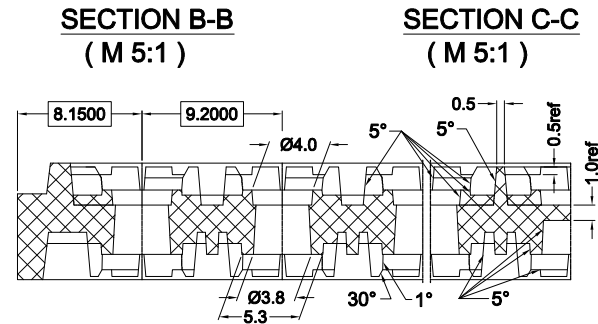
UNLESS OTHERWISE SPECIFIED ALL DIMENSIONS ARE IN MILLIMETERS STANDARD TOLERANCES ON: DECIMALS ± ANGLES ± .X ± .XX ± .XXX ±	DESIGNED BY	DATE	CYPRESS Company Confidential			
	DRAWN BY	DATE				
	MATERIAL	APPROVED BY	DATE	TITLE	SIZE	PART NO.
	FINISH	APPROVED BY	DATE	TRAY, QFN 32 (5x5x1.0)	A	TLF5x5-*

THIS DRAWING CONTAINS INFORMATION WHICH IS THE PROPRIETARY PROPERTY OF CYPRESS SEMICONDUCTOR CORPORATION. THIS DRAWING IS RECEIVED IN CONFIDENCE AND ITS CONTENTS MAY NOT BE DISCLOSED WITHOUT WRITTEN CONSENT OF CYPRESS SEMICONDUCTOR CORPORATION.

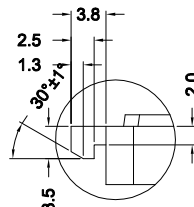
DWG NO	REV
51-52107	*D
SCALE: NTS	
SHEET 1 OF 2	



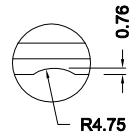
SECTION H-H



SECTION J-J




DETAIL D



DETAIL C

NOTE: SCALLOP IS CENTERED ON SIDE OF TRAY

 CYPRESS Company Confidential			
TITLE TRAY, QFN 32 (5x5x1.0)			
SIZE A	PART NO. TLF5x5-*	DWG NO 51-52107	REV *D
SCALE: NTS		SHEET 2 OF 2	

THIS DRAWING CONTAINS INFORMATION WHICH IS THE PROPRIETARY PROPERTY OF CYPRESS SEMICONDUCTOR CORPORATION. THIS DRAWING IS RECEIVED IN CONFIDENCE AND ITS CONTENTS MAY NOT BE DISCLOSED WITHOUT WRITTEN CONSENT OF CYPRESS SEMICONDUCTOR CORPORATION.