



Please note that Cypress is an Infineon Technologies Company.

The document following this cover page is marked as “Cypress” document as this is the company that originally developed the product. Please note that Infineon will continue to offer the product to new and existing customers as part of the Infineon product portfolio.

Continuity of document content

The fact that Infineon offers the following product as part of the Infineon product portfolio does not lead to any changes to this document. Future revisions will occur when appropriate, and any changes will be set out on the document history page.

Continuity of ordering part numbers

Infineon continues to support existing part numbers. Please continue to use the ordering part numbers listed in the datasheet for ordering.

Designing with Cypress ONFI 1.0 nvSRAM

Author: Shivendra Singh

Associated Project: No

Associated Part Family: CY14V116F7, CY14V116G7

Software Version: None

Related Application Notes: None

To get the latest version of this application note, please visit <http://www.cypress.com/go/AN91206>.

AN91206 provides details of the Open NAND flash Interface 1.0 (ONFI Version 1.0) nvSRAM command structure, command cycles, address cycles, and data cycles. These details will help you design with Cypress's ONFI 1.0 nvSRAM in a system. AN91206 also highlights the key differences between the ONFI 1.0 nvSRAM and ONFI 1.0-compliant NAND flash memory architecture, opcode, and functions to help you make necessary changes in the firmware program to allow you to access all features of the ONFI 1.0 nvSRAM using the standard ONFI 1.0 system bus.

Contents

Introduction	1
nvSRAMs Versus NAND Flash	2
ONFI 1.0 nvSRAM Architecture	3
Memory Organization	4
ONFI 1.0 nvSRAM Data Interface	5
Command Cycle	6
Address Cycle	6
Data Input Cycle (Write Cycle)	7
Data Output Cycle (Read Cycle)	7
ONFI 1.0 nvSRAM Access Op-codes and Protocols	8
ONFI 1.0 Command Description and Timings	9
ONFI 1.0 nvSRAM Packages	14
Typical ONFI 1.0 nvSRAM Interface in a System	15
Determining the Pull-Up Value for R/B	15
Summary	16
Worldwide Sales and Design Support	18

Introduction

The ONFI 1.0 nvSRAM follows the majority of the ONFI 1.0 standards which makes this device interoperable with all standard ONFI 1.0 host controllers. The ONFI 1.0 nvSRAM protocols are identical to the ONFI 1.0 standard, so can share the ONFI 1.0 bus with the other ONFI 1.0-compliant NAND flash devices in a system.

ONFI is an industry workgroup dedicated to simplifying NAND flash memory integration into consumer electronic products. ONFI defines standardized component-level interface specifications, standard command sets for device operation, and standard timing requirements. The nvSRAM integrates an SRAM cell and a silicon-oxide-nitride-oxide-silicon (SONOS)-based nonvolatile cell into a single nvSRAM cell.

The nvSRAM combines the best features of an SRAM and a nonvolatile memory, which makes it the fastest and the most reliable nonvolatile memory solution in the industry.

For more information on nvSRAM technology and functionalities, see the Cypress white paper [Nonvolatile SRAM \(nvSRAM\) Basics](#). Refer to the [device datasheet](#) for more details on the ONFI 1.0 nvSRAM timing diagrams, and DC/AC specifications.

This application note describes the ONFI 1.0 nvSRAM architecture, protocols, and key differences from ONFI 1.0 standard. This application note also provides an example circuit for interfacing an ONFI 1.0 nvSRAM with a standard ONFI 1.0 controller.

nvSRAMs Versus NAND Flash

The nvSRAM differs from the NAND flash memory in design, cell architecture, and the process technology. [Table 1](#) provides a high-level comparison between the nvSRAM and NAND flash memory technologies.

Table 1. nvSRAM Versus NAND Flash Memory

Parameters	nvSRAM	NAND Flash
Nonvolatile memory cell	SONOS (Silicon-Oxide-Nitride-Oxide-Silicon)	Floating gate
Erase Cycle	Not applicable	Memory block must be erased before programming with new data
Page program cycle time	Not applicable. Data is always written to the SRAM array and is automatically saved to the nonvolatile memory at power down	Typically 200 μ s to 300 μ s
Endurance	1,000,000 cycles (nonvolatile cell)	100,000 cycles
Data retention	20 years @ 85 °C	10 years @ 85 °C
Page Write	Writes the entire memory array at bus speed	The Page Write operation writes in the page buffer at bus speed. However, every page write is followed by the page program cycle to transfer the data from the page buffer to the NAND flash memory.
Page Read	Reads the entire memory array at bus speed	The Page Read operation reads from the page buffer at bus speed. However, after every page read command, the system needs to wait for "t _R " time before the data is available for access.
Page size	Not applicable. The entire memory can be accessed as a single page when executing bulk write and bulk read operations	2 KB or above
Block size	Not applicable	64 pages or above

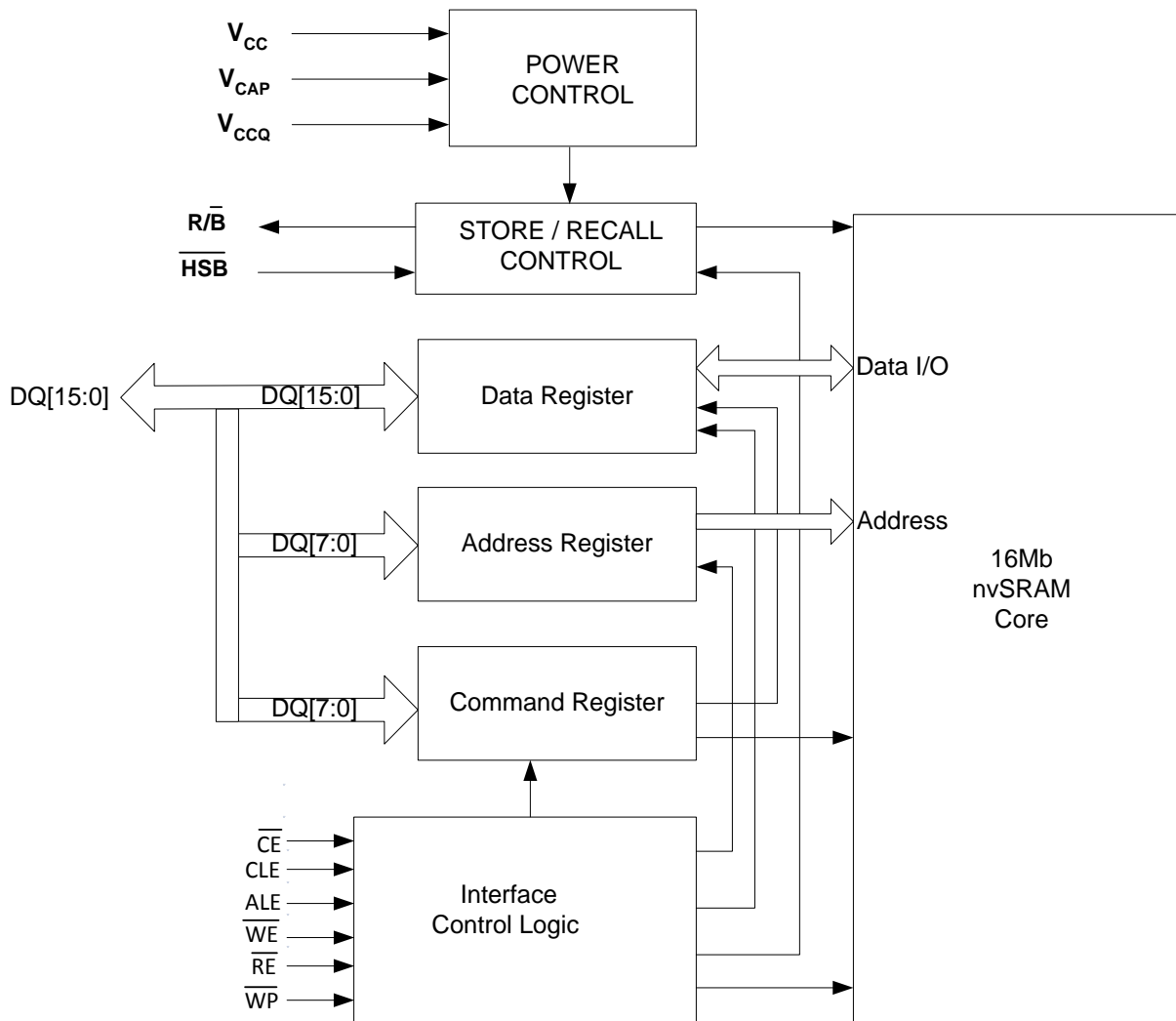
ONFI 1.0 nvSRAM Architecture

ONFI 1.0 is a highly multiplexed x8 I/O (DQ[7:0]) and x16 I/O (DQ[15:0]) architecture to transmit the command, address, and data bytes over the same I/O bus. In the x8 interface, the command, address, and data bytes are transmitted over the same bus. In the x16 interface, the command and address bytes are always transmitted over the lower 8-bit bus, while the data words are transmitted

over the 16-bit bus, but only for the main memory write and read operations. Other read operations such as Status Register, Device ID, and Parameter Page Transmit always occur over the lower 8-bit bus of the x16 I/O interface.

Figure 1 shows the ONFI 1.0 nvSRAM block diagram with I/Os (DQ[15:0]) interface details.

Figure 1. ONFI 1.0 nvSRAM Block Diagram

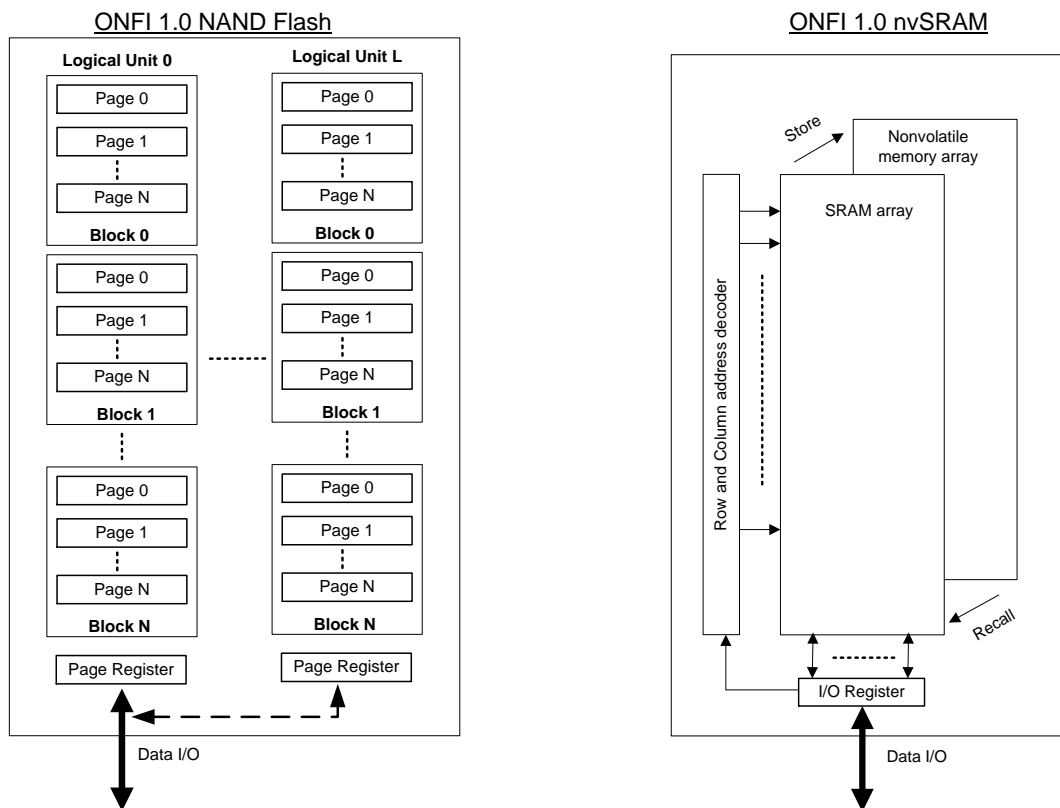


Memory Organization

The ONFI 1.0 NAND flash supports a hierarchal architecture, and the entire memory is divided into several pages, blocks, and planes. The ONFI 1.0 nvSRAM doesn't support the hierarchal architecture, so the entire memory array can be treated as a single page or a single block of memory.

Figure 2 illustrates the memory organization differences between the NAND flash and the nvSRAM architecture.

Figure 2. ONFI 1.0 NAND Flash and nvSRAM Memory Architecture



ONFI 1.0 nvSRAM Data Interface

The ONFI 1.0 control signals \overline{CE} , \overline{ALE} , \overline{CLE} , \overline{WE} , and \overline{RE} are used to determine the command, address, data write, and data read accesses on the multiplexed I/O bus of the ONFI 1.0 nvSRAM. The write protect pin (\overline{WP}) enables or disables SRAM write in ONFI 1.0 nvSRAM. The \overline{CE} control is used to select the device for access on the ONFI 1.0 bus. [Table 2](#) shows the ONFI 1.0 nvSRAM bus state for different states of the input control signals.

Refer to the [device datasheet](#) for the AC/DC specifications and parameter details used in this application note.

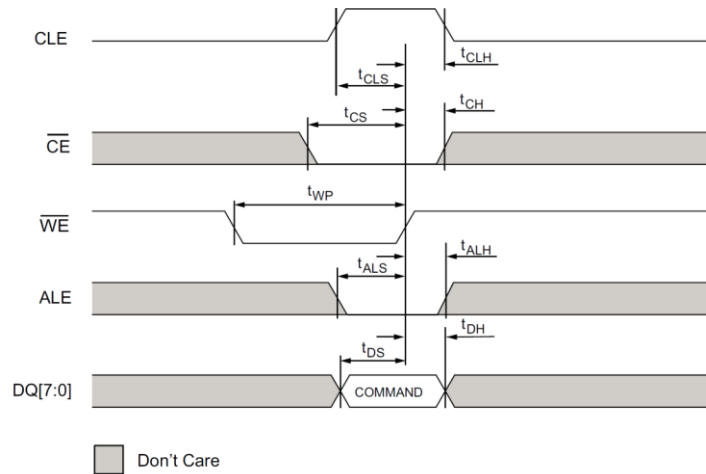
Table 2: ONFI 1.0 nvSRAM Bus State

\overline{CE}	\overline{ALE}	\overline{CLE}	\overline{WE}	\overline{RE}	\overline{WP}	BUS STATE	COMMENTS
1	X	X	X	X	X	Standby	The nvSRAM enters the low-power standby mode when the device status is ready and R/\overline{B} is pulled HIGH by the external pull-up resistor. When \overline{CE} is disabled, all nvSRAM I/Os are disabled except \overline{WP} , R/\overline{B} , and \overline{HSB} .
0	0	0	1	1	X	Bus Idle	Bus is in the idle state. All inputs are enabled but the commands, addresses, and data bytes are ignored. There is also no data output from the device.
0	0	1	0	1	X	Command cycle	Latch the data byte as a command on the bus.
0	1	0	0	1	X	Address cycle	Latch the data byte as an address on the bus.
0	0	0	0	1	H	Write Cycle	Latch the data on the data bus for write.
0	0	0	1	0	X	Read Cycle	Send the data on bus for read.
0	1	1	X	X	X	Undefined	ONFI 1.0 doesn't specify the device state for this input signal condition; so, it is described as an undefined bus state in the ONFI 1.0 nvSRAM.
0	0	0	0	1	L	Write protect to SRAM	\overline{WP} is toggled before initiating the SRAM write to prevent the write operation on the SRAM.

Command Cycle

A command is written from DQ[7:0] to the command register on the rising edge of the \overline{WE} control when \overline{CE} is LOW, ALE is LOW, CLE is HIGH, and \overline{RE} is HIGH. Figure 3 shows the command cycle timing.

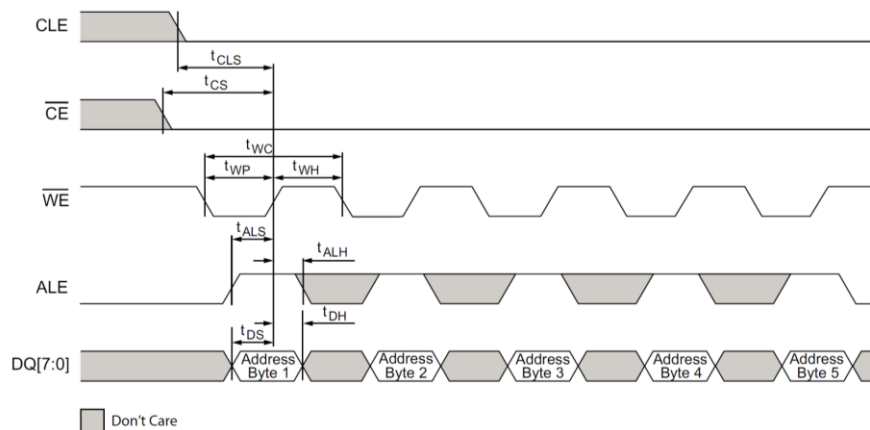
Figure 3. ONFI 1.0 nvSRAM Command Cycle Timing



Address Cycle

An address is written from DQ[7:0] to the address register on the rising edge of the \overline{WE} control when \overline{CE} is LOW, ALE is HIGH, CLE is LOW, and \overline{RE} is HIGH. In five-byte addressing, the least significant address byte is sent in the first address cycle and the most significant address byte is sent in the fifth address cycle. The nvSRAM requires only the first three address bytes to address its entire 16 Mb memory. The two extra MSBs are "Don't Care" address bytes. Figure 4 shows the address cycle timing.

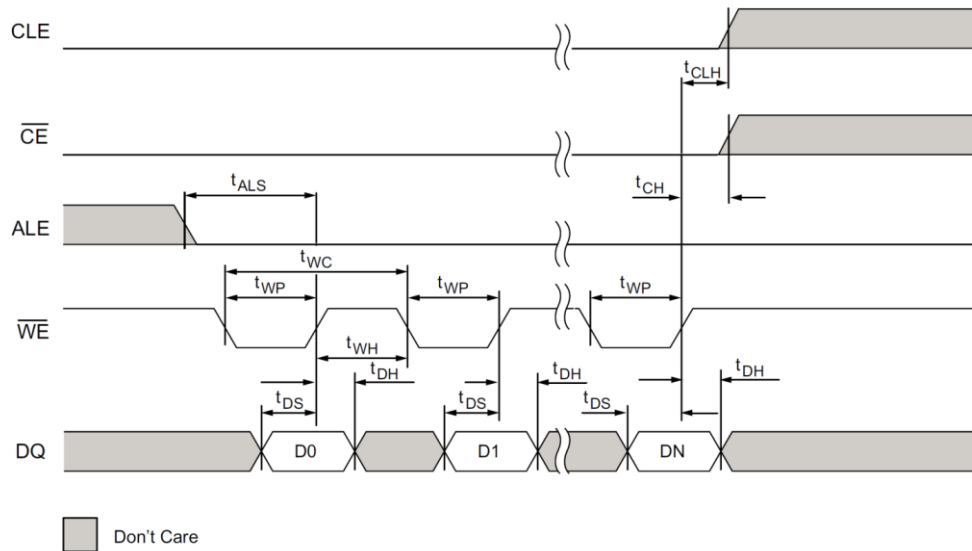
Figure 4. ONFI 1.0 nvSRAM Address Cycle Timing



Data Input Cycle (Write Cycle)

The data byte/word is written from DQ (DQ[7:0] or DQ[15:0]) to the data register of the nvSRAM on the rising edge of the \overline{WE} control when \overline{CE} is LOW, ALE is LOW, CLE is LOW, and \overline{RE} is HIGH. Figure 5 shows the Data Input (Write) cycle timing.

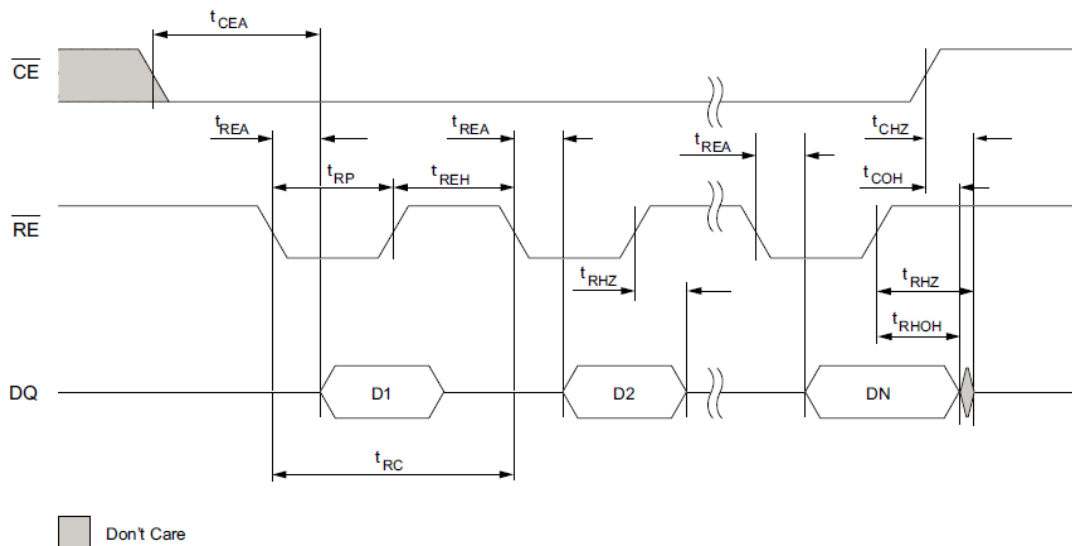
Figure 5. ONFI 1.0 nvSRAM Data Input (Write) Cycle Timing



Data Output Cycle (Read Cycle)

The data byte/word is sent out (during read) on the DQ bus (DQ[7:0] or DQ[15:0]) by the nvSRAM if its status is ready. Data is output from the data register on every falling edge of the \overline{RE} control when \overline{CE} is LOW, ALE is LOW, CLE is LOW, and \overline{WE} is HIGH. Figure 6 shows the Data Output (Read) cycle timing.

Figure 6. ONFI 1.0 nvSRAM Data Output (Read) Cycle Timing



ONFI 1.0 nvSRAM Access Op-codes and Protocols

Table 3 lists the command, address, and data cycles for executing each of the following commands for ONFI 1.0 nvSRAM access.

Table 3. ONFI 1.0 nvSRAM Commands

<i>NVSRAM Function</i>	<i>Command Cycle1</i>	<i>Address Cycle/s</i>	<i>Data Cycle/s</i>	<i>Command Cycle 2</i>	<i>Description</i>
Read from SRAM	00h	Memory address (5 Bytes)	-	30h	Reads the data from the SRAM address location transmitted in the five address bytes.
Write into SRAM	80h,	Memory address (5 Bytes)	(1 to N)	10h	Writes the data into the SRAM address location transmitted in the five bytes address. The length of the data bytes can be anywhere between 1 to N. The maximum value of N is the full-memory array.
Read Status Register	70h	-	-	-	Reads the status of the device.
Read ID (ONFI Signature)	90h	20h (1 Byte)	-	-	Reads four bytes of the ONFI signature.
Read ID (Manufacturer ID and Device ID)	90h	00h (1 Byte)	-	-	Reads the four bytes of the manufacturer ID (two bytes MID and two bytes DID)
Read Parameter Page	ECh	00h (1 Byte)	-	-	The read parameter page function reads the data structure that describes the target's organization, features, timings, and other behavioral parameters.
Reset	FFh	-	-	-	Aborts the current operation (all writes and reads) and puts the NVSRAM into the default state. If a nonvolatile operation is in progress, it will be completed first and then the Reset request will be serviced.
ONFI 1.0 nvSRAM-Specific Commands, Not Applicable to NAND Flash					
Software Recall	FCh	-	-	-	This initiates the Recall operation to transfer data from the nonvolatile memory to the SRAM. This command is not an ONFI 1.0 standard command.
Software Store	84h	-	-	A5h	This initiates the Store operation to transfer data from the SRAM to the nonvolatile memory. This command is not an ONFI 1.0 standard command.
AutoStore Disable	A3h	-	-	-	This command disables the AutoStore function in the ONFI 1.0 nvSRAM. This command is not an ONFI 1.0 standard command.
AutoStore Enable	ACh	-	-	-	This command enables the AutoStore function in the ONFI 1.0 nvSRAM. A capacitor of an appropriate value must be connected to the V _{CAP} pin to perform AutoStore on power loss. This command is not an ONFI 1.0 standard command.
Reserved Commands					
Get Features	EEh	-	-	-	These are reserved commands in the ONFI 1.0 nvSRAM.
Set Features	EFh	-	-	-	

Table 4. ONFI 1.0 Flash commands not applicable to nvSRAM

NAND Flash Function	Command Cycle 1	Address Cycle/s	Data Cycle/s	Command Cycle 2	Description
Copyback Read	00h	5 Bytes	-	35h	These commands are not applicable to the ONFI 1.0 nvSRAM.
Change Read Column	05h	-	-	E0h	
Read Cache Enhanced	00h	5 Bytes	-	31h	
Read Cache	31h	-	-	-	
Read Cache End	3Fh	-	-	-	
Block Erase	60h	3 Bytes	-	D0h	
Interleaved	60h	3 Bytes	-	D1h	
Read Status Enhanced	78h	3 Bytes	-	-	
Page Program Interleaved	80h	5 Bytes	Yes	11h	
Page Cache Program	80h	5 Bytes	Yes	15h	
Copyback Program	85h	5 Bytes	Yes	10h	
Copyback Program Interleaved	85h	5 Bytes	Yes	11h	
Change Write Column	85h	2 Bytes	Yes		
Read unique ID	EDh	1 Byte	-	-	

ONFI 1.0 Command Description and Timings

This section describes the ONFI 1.0 nvSRAM access command cycle timings. This also highlights differences from the ONFI 1.0 NAND flash wherever applicable. All commands except the status register read (70h) and reset (FFh) are ignored when the nvSRAM is busy (RDY bit is set to '0' in the status register).

Read (00h, 30h)

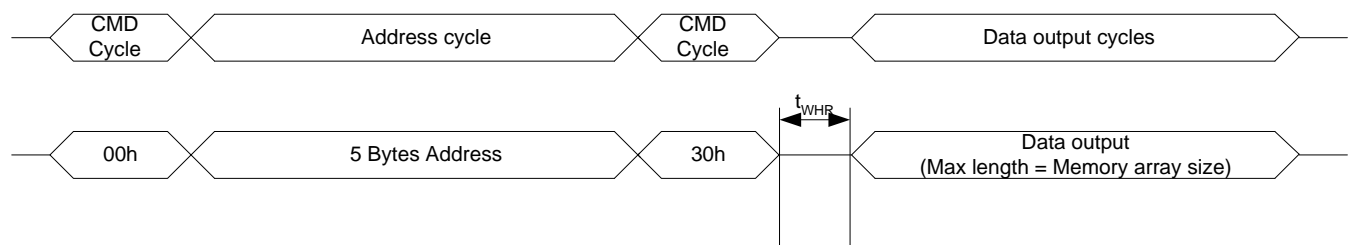
ONFI 1.0 nvSRAM

The ONFI 1.0 nvSRAM Read command reads the data-bytes (on the x8 interface) or data words (on the x16 interface). After receiving Read command cycles, the nvSRAM enters the data output mode (Read mode) and

starts sending the data out on its data bus for every \overline{RE} toggle (\overline{CE} remains LOW) or \overline{CE} toggle (\overline{RE} remains LOW). The address counter advances to the next accessible location automatically. The device comes out of the Read mode only when a new command cycle is received (command or address cycle, either valid or invalid). The Read command can be used either for accessing a single byte/word or for burst access. The maximum length of the data burst in the ONFI 1.0 nvSRAM is the memory array size.

Figure 7 shows the ONFI 1.0 nvSRAM Read cycle timing.

Figure 7. ONFI 1.0 nvSRAM Read Cycle

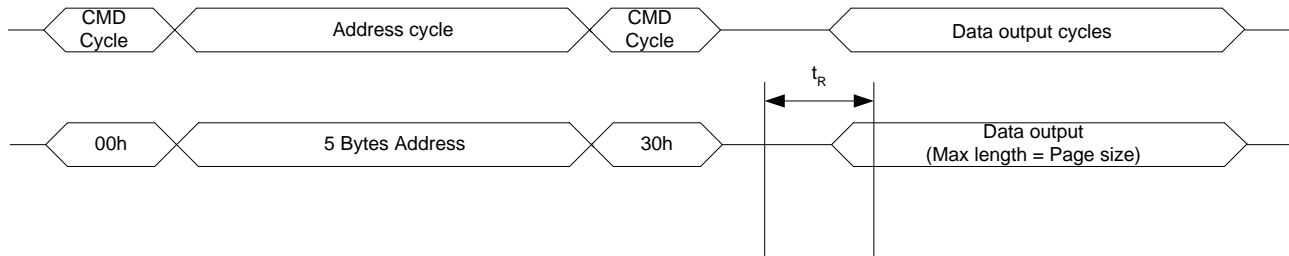


ONFI 1.0 NAND Flash

The ONFI 1.0 NAND flash Page Read command is identical to the ONFI 1.0 nvSRAM except that the page data is available only t_R time after the 30h command is transmitted. The t_R time is the wait time to transfer data from the flash array to the data memory register before it is available on the data bus.

The flash Read (Page Read) command is used either to access a single byte/word or a burst of data bytes/words. The maximum size of the data burst in the flash memory can be equal to its page size. Figure 8 shows the ONFI 1.0 NAND flash Read cycle timing.

Figure 8. ONFI 1.0 NAND Flash Read Cycle



Write (80h, 10h)

ONFI 1.0 nvSRAM

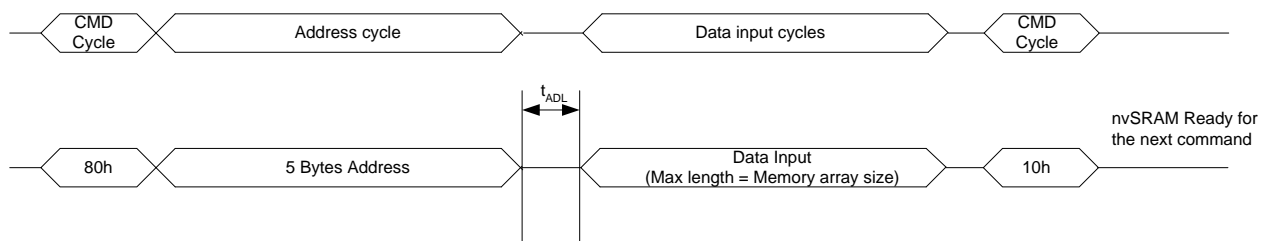
The ONFI 1.0 nvSRAM Write command writes the data-bytes (on the x8 interface) or data words (on the x16 interface). After receiving a valid write command and address cycles, all subsequent data bytes or words are written directly in the SRAM of the nvSRAM. The device comes out of the Write mode only when a new command cycle is received (command or address cycle, valid or invalid).

The Write command can write either a single data word or a data burst. All data bytes are written to the SRAM array

immediately and transferred to the nonvolatile memory array automatically on power down (AutoStore). The 10h command at the end of the write cycle is to make the ONFI 1.0 nvSRAM protocol compatible to the ONFI 1.0 standard, but this is an optional command for the ONFI 1.0 nvSRAM. The ONFI 1.0 nvSRAM write will be successful even without executing the 10h command.

Figure 9 shows the ONFI 1.0 nvSRAM Write cycle timing.

Figure 9. ONFI 1.0 nvSRAM Write Cycle



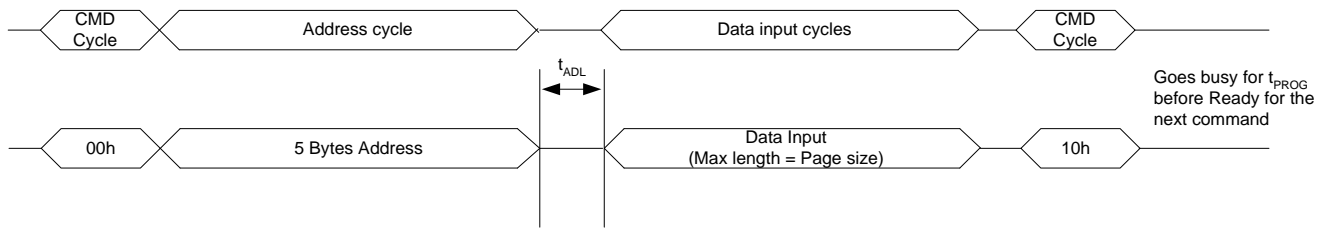
ONFI 1.0 NAND Flash

The ONFI 1.0 NAND flash Page Write command is identical to the ONFI 1.0 nvSRAM write except that the page data is programmed into the nonvolatile memory only after the 10h command is received. The NAND flash takes t_{PROG} time to complete the page program cycle before the flash is accessible for a new page write or read operation.

The NAND flash Write (Page Write) command is either used to write a single byte/word or a burst of data bytes/words. The maximum size of the data burst in the flash memory can be equal to its page size.

Figure 10 shows the ONFI 1.0 NAND flash Write cycle timing.

Figure 10. ONFI 1.0 NAND Flash Write Cycle



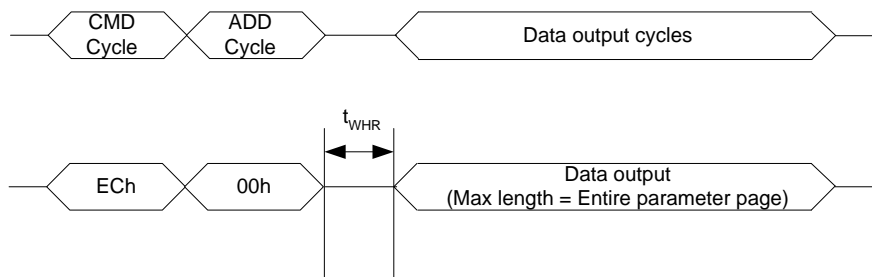
Read Parameter Page (ECh)

ONFI 1.0 nvSRAM

The ONFI 1.0 nvSRAM Read Parameter Page command reads the parameter page data and outputs it on the 8-bit data bus for every \overline{RE} toggle \overline{CE} toggle. In x16 interface parts, the parameter page data outputs only on the lower 8-bit of x16 data bus; the upper 8-bit of the x16 data bus carries garbage data. The Parameter Page Read

command always starts at the 00h address of the parameter page with an auto increment until the page boundary is reached. The Read Parameter Page command cannot access from the intermediate location of the Parameter Page. Figure 11 shows the ONFI 1.0 nvSRAM Parameter Page Read timing.

Figure 11. ONFI 1.0 nvSRAM Read Parameter Page Cycle

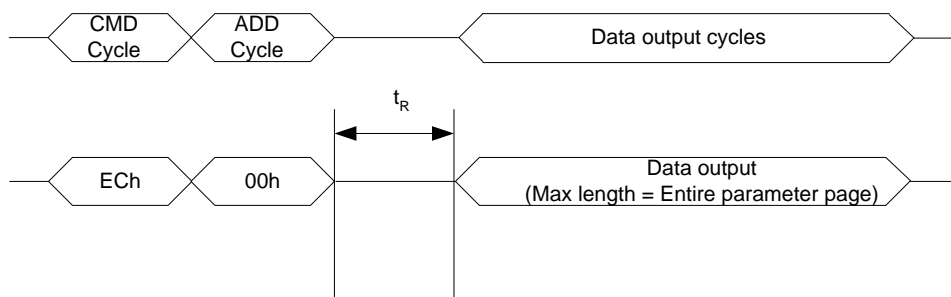


ONFI 1.0 NAND Flash

The ONFI 1.0 NAND flash Read Parameter Page command is identical to the ONFI 1.0 nvSRAM except that the parameter page data is available only t_R time after the Read Parameter Page command is checked in.

The t_R time is the wait time to transfer the page data from the flash array to the data memory register. Figure 12 shows the ONFI 1.0 NAND flash Read Parameter Page timing.

Figure 12. ONFI 1.0 NAND Flash Read Parameter Page Cycle

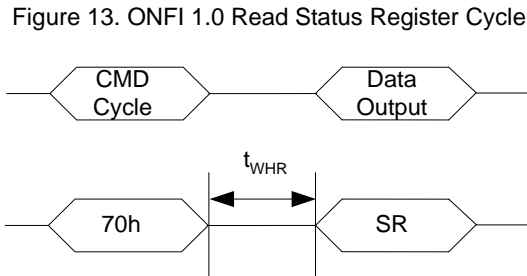


Read Status Register (70h)

ONFI 1.0 nvSRAM

The Read Status Register command reads the Status Register (SR) content on the 8-bit data bus. In x16 interface devices, the Status Register content is

transmitted over the lower 8-bit of x16 data bus. [Figure 13](#) shows the Read Status Register Cycle for the ONFI 1.0.



ONFI 1.0 NAND Flash

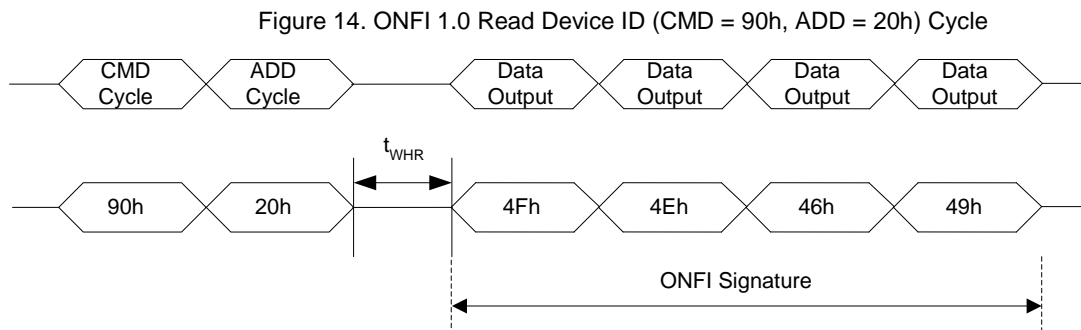
The timing diagram for the ONFI 1.0 NAND flash is the same as that of the ONFI 1.0 nvSRAM.

Read Device ID (90h) - Read ONFI Signature

ONFI 1.0 nvSRAM

The Read Device ID command (90h) with address byte 20h reads the four-byte ONFI signature and outputs them on the 8-bit data bus. In x16 interface parts, the device

outputs the signature bytes only on the lower 8-bit of the x16 data bus. [Figure 14](#) shows the ONFI 1.0 Read Device ID cycle timing.



ONFI 1.0 NAND Flash

The timing diagram for the ONFI 1.0 NAND flash is the same as that of the ONFI 1.0 nvSRAM.

Read Device ID (90h) - Read MID and DID

ONFI 1.0 nvSRAM

The Read Device ID command (90h) with address byte 00h reads the manufacturer ID (MID) and device ID (DID) and outputs them on the 8-bit data bus. In x16 interface parts, the device outputs the signature bytes only on the lower 8-bit part of the x16 data bus.

The ONFI 1.0 standard defines only the first two bytes for the MID and DID. Reading the device ID beyond the first

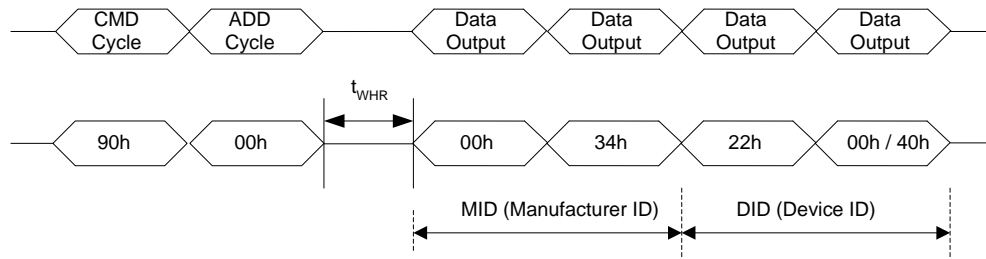
two bytes yields values specified by the manufacturer datasheet.

The ONFI 1.0 nvSRAM returns four bytes as shown in [Figure 15](#). The value for the MID and DID for x8 and x16 interface parts as follows:

ONFI 1.0 nvSRAM (x8):00 34 00 00h

ONFI 1.0 nvSRAM (x16):00 34 00 40h

Figure 15. ONFI 1.0 Read Device ID (CMD = 90h, ADD = 00h) Cycle



ONFI 1.0 NAND Flash

The ONFI 1.0 NAND flash behaves in an identical way to the ONFI 1.0 nvSRAM Read Device ID command except that the ONFI 1.0 NAND flash returns a 5-byte device ID.

Reset (FFh)

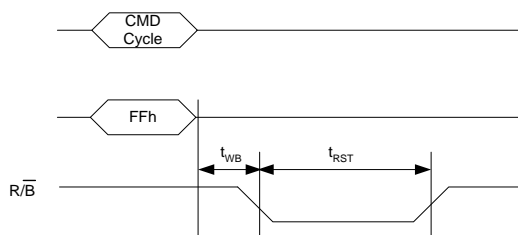
ONFI 1.0 nvSRAM

The Reset command puts the nvSRAM in its default power-up state. The Reset command can be executed when the device is in any state, except when ONFI 1.0 nvSRAM power-up RECALL cycle is in progress. During the power-up RECALL cycle, the Reset command should not be issued and the host must wait for the R/B to become HIGH, which indicates that the power up Recall cycle is complete and the ONFI 1.0 nvSRAM is ready for access. Figure 16 defines the Reset behavior and timings. For a device that supports 16-bit data access, the upper 8 bits DQ[15:8] are “Don’t Care” bits when transmitting the Reset command.

If the Reset (FFh) command is issued when a nonvolatile operation is in progress, then the reset request is executed only after the ongoing nonvolatile operation is completed. Depending upon the present state of the device, the t_{RST} timing varies based on the following:

- If the Reset command is executed when the device is ready, it takes t_{SS} time to process the reset request.
- If the Reset command is issued when the software Recall cycle is in progress, it takes t_{RECALL} time to process the Reset request.
- If the reset command is issued when a Software or HSB Store cycle is in progress

Figure 16. ONFI 1.0 nvSRAM Reset Cycle



ONFI 1.0 NAND Flash

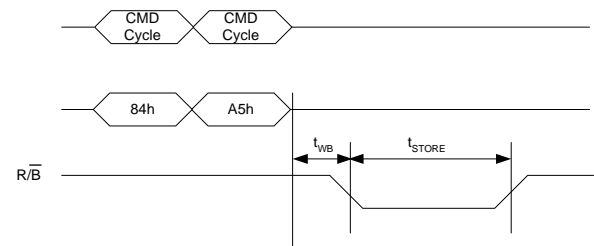
The ONFI 1.0 NAND flash Reset command is identical to the ONFI nvSRAM Reset command except that the ONFI 1.0 NAND flash aborts the command sequence in progress including the PROGRAM and ERASE commands. The contents of the memory location being programmed or the block being erased are no longer valid. The data may be partially erased or programmed and is invalid.

Software Store (84h, A5h)

ONFI 1.0 nvSRAM

The Software Store command is specific to the ONFI 1.0 nvSRAM. This command is used to initiate the nonvolatile Store operation on demand. The nonvolatile Store operation saves the SRAM content into the nonvolatile memory and takes t_{STORE} time to complete the Software Store cycle.

Figure 17. ONFI 1.0 nvSRAM Software Store Cycle



ONFI 1.0 NAND Flash

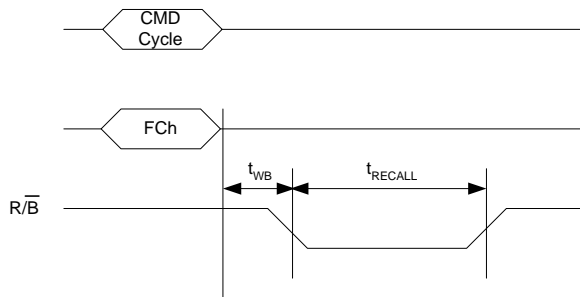
This command is not applicable for the ONFI 1.0 NAND flash.

Software Recall (FCh)

ONFI 1.0 nvSRAM

The Software Recall command is specific to the ONFI 1.0 nvSRAM. This command initiates a memory Recall operation and recalls the memory content from the nonvolatile memory to the SRAM. The ONFI 1.0 nvSRAM takes t_{RECALL} time to complete the Software Recall cycle.

Figure 18. ONFI 1.0 nvSRAM Software Recall Cycle



ONFI 1.0 NAND Flash

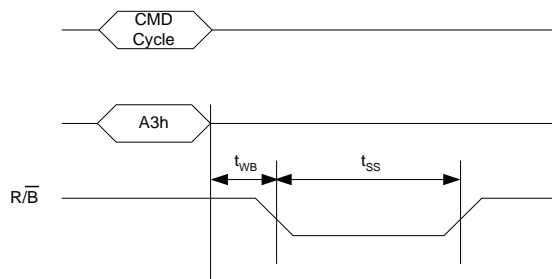
This command is not applicable for the ONFI 1.0 NAND flash.

AutoStore Enable (A3h)

ONFI 1.0 nvSRAM

The AutoStore Enable command is specific to the ONFI 1.0 nvSRAM. This command is used to enable the AutoStore feature if it was disabled previously. All devices are shipped from factory with AutoStore enabled. The ONFI 1.0 nvSRAM takes t_{SS} time to process the AutoStore Enable command.

Figure 19. ONFI 1.0 nvSRAM AutoStore Enable Cycle



ONFI 1.0 NAND Flash

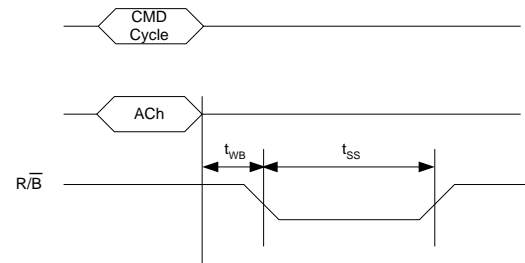
This command is not applicable for the ONFI 1.0 NAND flash.

AutoStore Disable (ACh)

ONFI 1.0 nvSRAM

The AutoStore Disable command is specific to the ONFI 1.0 nvSRAM and is used to disable the AutoStore feature. The nonvolatile Store (either HSB or software Store) should follow the AutoStore Disable command. Not executing the nonvolatile Store cycle following the AutoStore Disable command disables the AutoStore only for the current cycle; it doesn't survive for subsequent power cycles. The ONFI 1.0 nvSRAM takes t_{SS} time to process the AutoStore Disable command.

Figure 20. ONFI 1.0 nvSRAM AutoStore Disable Cycle



ONFI 1.0 NAND Flash

This command is not applicable for the ONFI 1.0 NAND flash.

Reserved Commands

ONFI 1.0 nvSRAM

The GetFeature (EEh) and SetFeature (EFh) commands are reserved for the ONFI 1.0 nvSRAM. These two commands are treated as valid commands and therefore do not set the FAIL flag bit in the status register unlike other invalid or not supported commands when they are executed.

ONFI 1.0 NAND Flash

The GetFeature (EEh) and SetFeature (EFh) commands are optional commands in the ONFI 1.0 standard.

ONFI 1.0 nvSRAM Packages

The ONFI 1.0 nvSRAM is not package-compatible with ONFI 1.0 NAND flash devices. Table 5 lists the packages supported for ONFI 1.0 nvSRAM and NAND flash devices.

Table 5. ONFI 1.0 nvSRAM and NAND Flash Packages

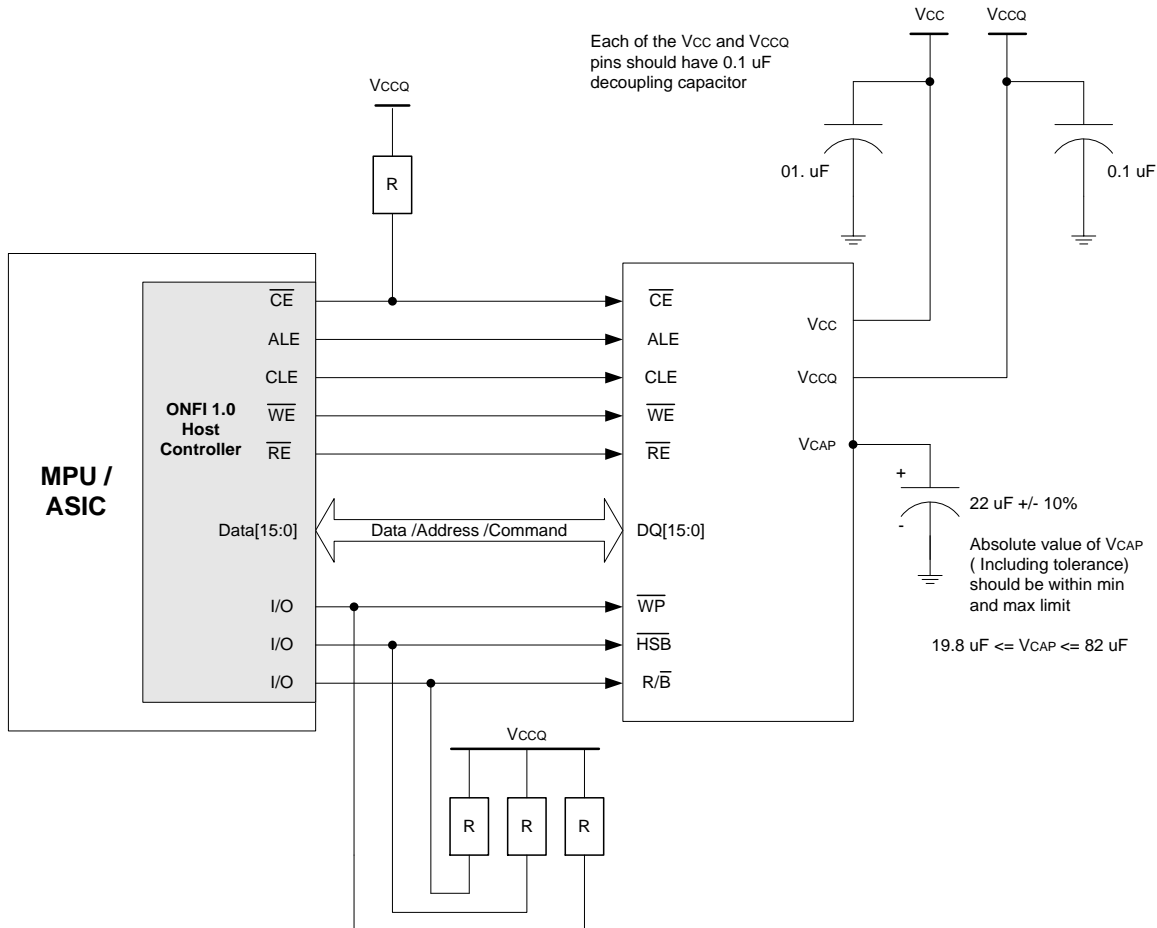
ONFI 1.0 nvSRAM	ONFI 1.0 NAND Flash
165-ball FBGA	48-TSOP
	48-pin WSOP
	LGA-52
	BGA-63

Refer to the [ONFI 1.0 nvSRAM datasheet](#) for the 165-ball FBGA package details.

Typical ONFI 1.0 nvSRAM Interface in a System

This section provides an example circuit demonstrating the nvSRAM with a standard ONFI 1.0 host controller. Figure 21 shows a typical configuration of the ONFI 1.0 nvSRAM with the NAND host controller.

Figure 21. Typical ONFI 1.0 nvSRAM connection in a system



Design Notes

1. The \overline{WP} and \overline{HSB} are active LOW input signals. If not used, these two control pins should be pulled to V_{CCQ} using an external pull-up resistor of the value between 2.2 k Ω and 10 k Ω .
2. Each V_{CC} and V_{CCQ} pin should be connected to one 0.1 μ F decoupling capacitor.
3. R/\overline{B} is an active LOW, open-drain output driver and requires an external pull-up resistor to drive this pin to HIGH when the device is not busy. The R/\overline{B} output can be tied to the other device R/\overline{B} as a wired-OR logic. The value of the external pull-up resistor on R/\overline{B} is determined based on multiple factors such as the sink current specification (I_{OL}), V_{OL} level, minimum rise time (t_R), and the total bus load on the pin.

Determining the Pull-Up Value for R/\overline{B}

The combination of resistive pull-up (R_P) on the R/\overline{B} and capacitive loading (C_B) of the R/\overline{B} circuit determines the maximum rise time of the R/\overline{B} signal. The actual value used for R_P depends on the system timing requirements. Large values of R_P cause the rise time to be delayed significantly. The rise time is approximately two time-constants (t_c) between the 10% and 90% points.

$$\text{One time-constant } (t_c) = R \times C \quad \text{Equation 1}$$

Where $R = R_P$ (resistance of pull-up resistor), and $C = C_B$ (total capacitive load).

$$\text{Rise time (max)} = 2 \times (R_P \times C_B) \quad \text{Equation 2}$$

$$\text{Therefore, the max value of } R_P = \frac{\text{Rise time (max)}}{(2 \times C_B)} \quad \text{Equation 3}$$

The fall time of the R/\bar{B} signal is determined mainly by the output impedance of the R/\bar{B} signal and the total load capacitance C_B . The minimum value for R_p is determined by the output drive capability of the R/\bar{B} signal (V_{OL} , I_{OL}) and the output voltage swing $V_{CC}(\text{max})$.

$$R_p = \frac{V_{CC}(\text{MAX}) - V_{OL}(\text{MAX})}{(I_{OL} + \Sigma I_L)} \quad \text{Equation 4}$$

Where ΣI_L is the sum of the input leakage currents of all devices' R/\bar{B} pins tied together.

Summary

The ONFI 1.0 nvSRAM follows the majority of access opcodes and timings specifications of the ONFI 1.0 standard. This allows interfacing Cypress's ONFI 1.0 nvSRAM to the ONFI 1.0 bus and sharing it with other ONFI 1.0 NAND flash memories. AN91206 provides a detailed description on ONFI 1.0 nvSRAM access opcodes, protocols, and cycle timings. This application note also highlights key differences between Cypress's ONFI 1.0 nvSRAM and the ONFI 1.0 NAND flash memory.

Users can refer to this application note to develop the design schematic and firmware code for ONFI 1.0 nvSRAM interfaces in a target system. A reference block diagram, design notes, and design schematic will help in designing with ONFI 1.0 nvSRAM quickly. Refer to the [ONFI 1.0 nvSRAM datasheet](#) for details on timing diagrams and AC parameters.

Related Documents

Datasheets

[ONFI 1.0 nvSRAM datasheet](#)

Application Note / Whitepaper

[Nonvolatile SRAM \(nvSRAM\) Basics](#)

Document History

Document Title: AN91206 – Designing with Cypress ONFI 1.0 nvSRAM

Document Number: 001-91206

Revision	ECN	Orig. of Change	Submission Date	Description of Change
**	4498621	ZSK	09/18/2014	Initial release.
*A	5862596	ZSK	08/24/2017	Updated to new template. Completing Sunset Review.

Worldwide Sales and Design Support

Cypress maintains a worldwide network of offices, solution centers, manufacturer's representatives, and distributors. To find the office closest to you, visit us at [Cypress Locations](#).

Products

ARM® Cortex® Microcontrollers	cypress.com/arm
Automotive	cypress.com/automotive
Clocks & Buffers	cypress.com/clocks
Interface	cypress.com/interface
Internet of Things	cypress.com/iot
Memory	cypress.com/memory
Microcontrollers	cypress.com/mcu
PSoC	cypress.com/psoc
Power Management ICs	cypress.com/pmic
Touch Sensing	cypress.com/touch
USB Controllers	cypress.com/usb
Wireless Connectivity	cypress.com/wireless

PSoC® Solutions

[PSoC 1](#) | [PSoC 3](#) | [PSoC 4](#) | [PSoC 5LP](#) | [PSoC 6](#)

Cypress Developer Community

[Forums](#) | [WICED IOT Forums](#) | [Projects](#) | [Videos](#) | [Blogs](#) | [Training](#) | [Components](#)

Technical Support

cypress.com/support

PSoC is a registered trademark and PSoC Creator is a trademark of Cypress Semiconductor Corporation.



Cypress Semiconductor
198 Champion Court
San Jose, CA 95134-1709

© Cypress Semiconductor Corporation, 2014-2017. This document is the property of Cypress Semiconductor Corporation and its subsidiaries, including Spansion LLC ("Cypress"). This document, including any software or firmware included or referenced in this document ("Software"), is owned by Cypress under the intellectual property laws and treaties of the United States and other countries worldwide. Cypress reserves all rights under such laws and treaties and does not, except as specifically stated in this paragraph, grant any license under its patents, copyrights, trademarks, or other intellectual property rights. If the Software is not accompanied by a license agreement and you do not otherwise have a written agreement with Cypress governing the use of the Software, then Cypress hereby grants you a personal, non-exclusive, nontransferable license (without the right to sublicense) (1) under its copyright rights in the Software (a) for Software provided in source code form, to modify and reproduce the Software solely for use with Cypress hardware products, only internally within your organization, and (b) to distribute the Software in binary code form externally to end users (either directly or indirectly through resellers and distributors), solely for use on Cypress hardware product units, and (2) under those claims of Cypress's patents that are infringed by the Software (as provided by Cypress, unmodified) to make, use, distribute, and import the Software solely for use with Cypress hardware products. Any other use, reproduction, modification, translation, or compilation of the Software is prohibited.

TO THE EXTENT PERMITTED BY APPLICABLE LAW, CYPRESS MAKES NO WARRANTY OF ANY KIND, EXPRESS OR IMPLIED, WITH REGARD TO THIS DOCUMENT OR ANY SOFTWARE OR ACCOMPANYING HARDWARE, INCLUDING, BUT NOT LIMITED TO, THE IMPLIED WARRANTIES OF MERCHANTABILITY AND FITNESS FOR A PARTICULAR PURPOSE. To the extent permitted by applicable law, Cypress reserves the right to make changes to this document without further notice. Cypress does not assume any liability arising out of the application or use of any product or circuit described in this document. Any information provided in this document, including any sample design information or programming code, is provided only for reference purposes. It is the responsibility of the user of this document to properly design, program, and test the functionality and safety of any application made of this information and any resulting product. Cypress products are not designed, intended, or authorized for use as critical components in systems designed or intended for the operation of weapons, weapons systems, nuclear installations, life-support devices or systems, other medical devices or systems (including resuscitation equipment and surgical implants), pollution control or hazardous substances management, or other uses where the failure of the device or system could cause personal injury, death, or property damage ("Unintended Uses"). A critical component is any component of a device or system whose failure to perform can be reasonably expected to cause the failure of the device or system, or to affect its safety or effectiveness. Cypress is not liable, in whole or in part, and you shall and hereby do release Cypress from any claim, damage, or other liability arising from or related to all Unintended Uses of Cypress products. You shall indemnify and hold Cypress harmless from and against all claims, costs, damages, and other liabilities, including claims for personal injury or death, arising from or related to any Unintended Uses of Cypress products.

Cypress, the Cypress logo, Spansion, the Spansion logo, and combinations thereof, WICED, PSoC, CapSense, EZ-USB, F-RAM, and Traveo are trademarks or registered trademarks of Cypress in the United States and other countries. For a more complete list of Cypress trademarks, visit cypress.com. Other names and brands may be claimed as property of their respective owners.