

CYPRESS SEMICONDUCTOR

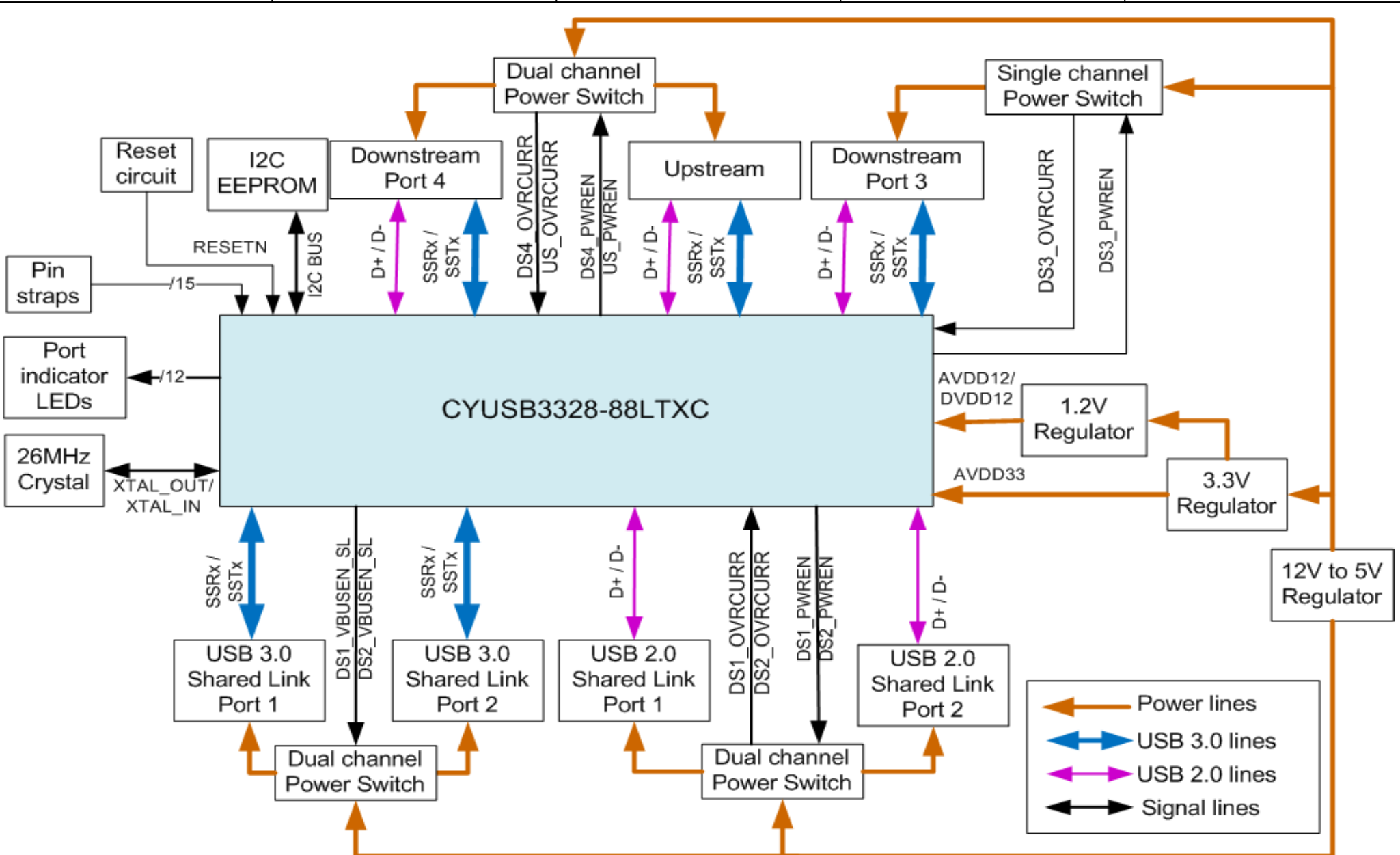
CY4613-DVK-BOARD

PAGE NO	TITLE
01	INDEX PAGE
02	BLOCK DIAGRAM
03	POWER SUPPLY
04	POWER & DECOUPLING
05	CYUSB3328-88LTXC-DEVICE CONNECTION
06	POWER SWITCHES & LED INDICATORS

PCBA NUMBER 121-60127-01
PCB NUMBER 600-60160-01
FAB DRAWING NUMBER 610-60153-01
ASSEMBLY DRAWING NUMBER 620-60158-01
SCHEMATIC NUMBER 630-60156-01

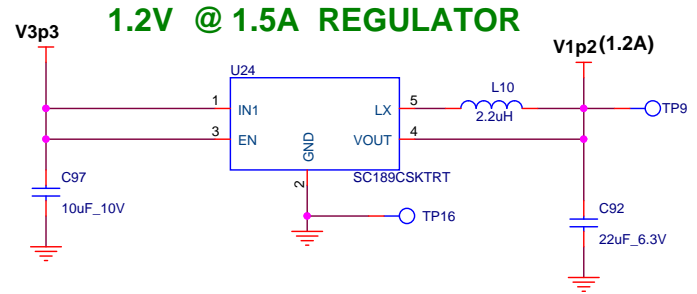
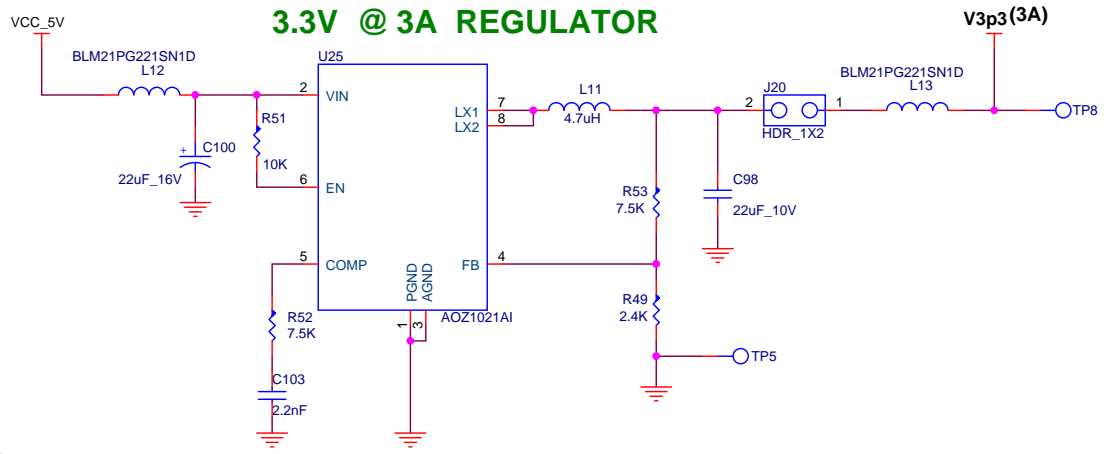
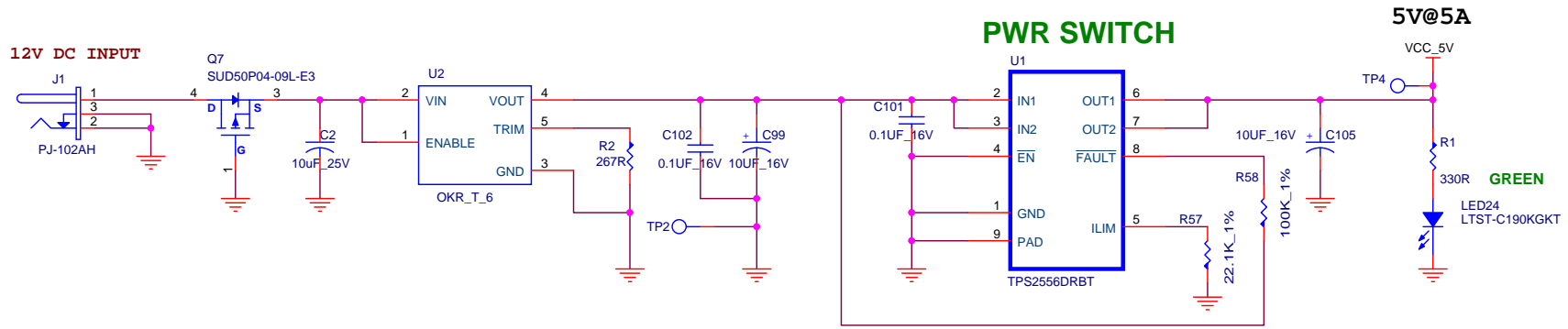


CYPRESS SEMICONDUCTOR © 2014		
Title CY4613 INDEX PAGE		
Size A	Document Number 630-60156-01	Rev 5.0
Date: Tuesday, July 01, 2014	Sheet 1	of 6



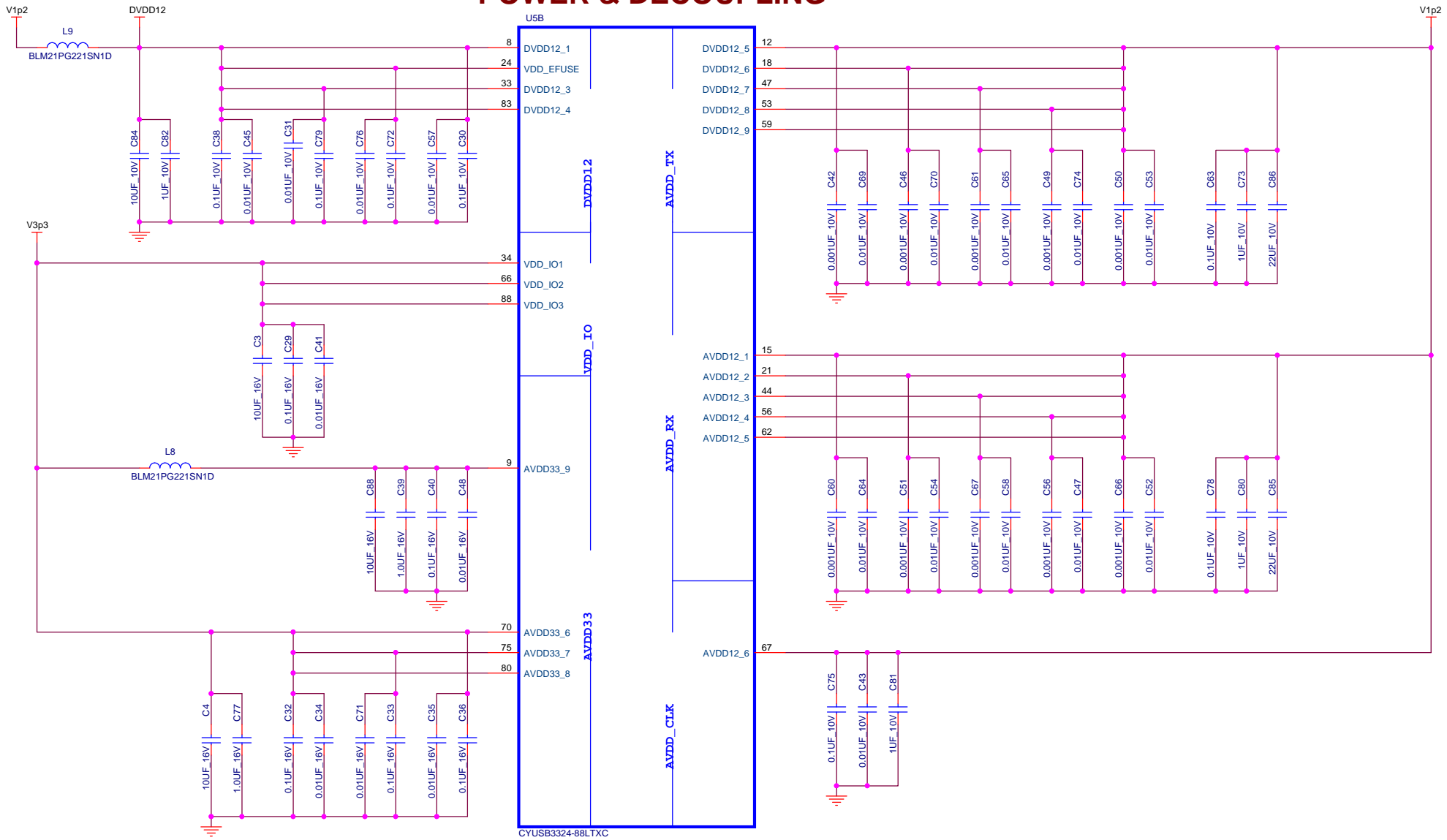
CYPRESS SEMICONDUCTOR © 2014		
Title		
BLOCK DIAGRAM		
Size	Document Number	Rev
A	630-60156-01	5.0
Date:	Tuesday, July 01, 2014	Sheet 2 of 6

POWER SUPPLY

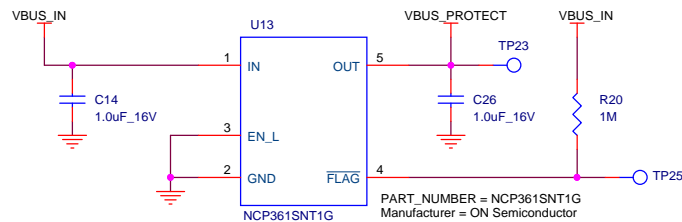


CYPRESS SEMICONDUCTOR © 2014		
Title POWER SUPPLY		
Size Custom	Document Number 630-60156-01	Rev 5.0
Date: Tuesday, June 03, 2014	Sheet 3	of 6

POWER & DECOUPLING

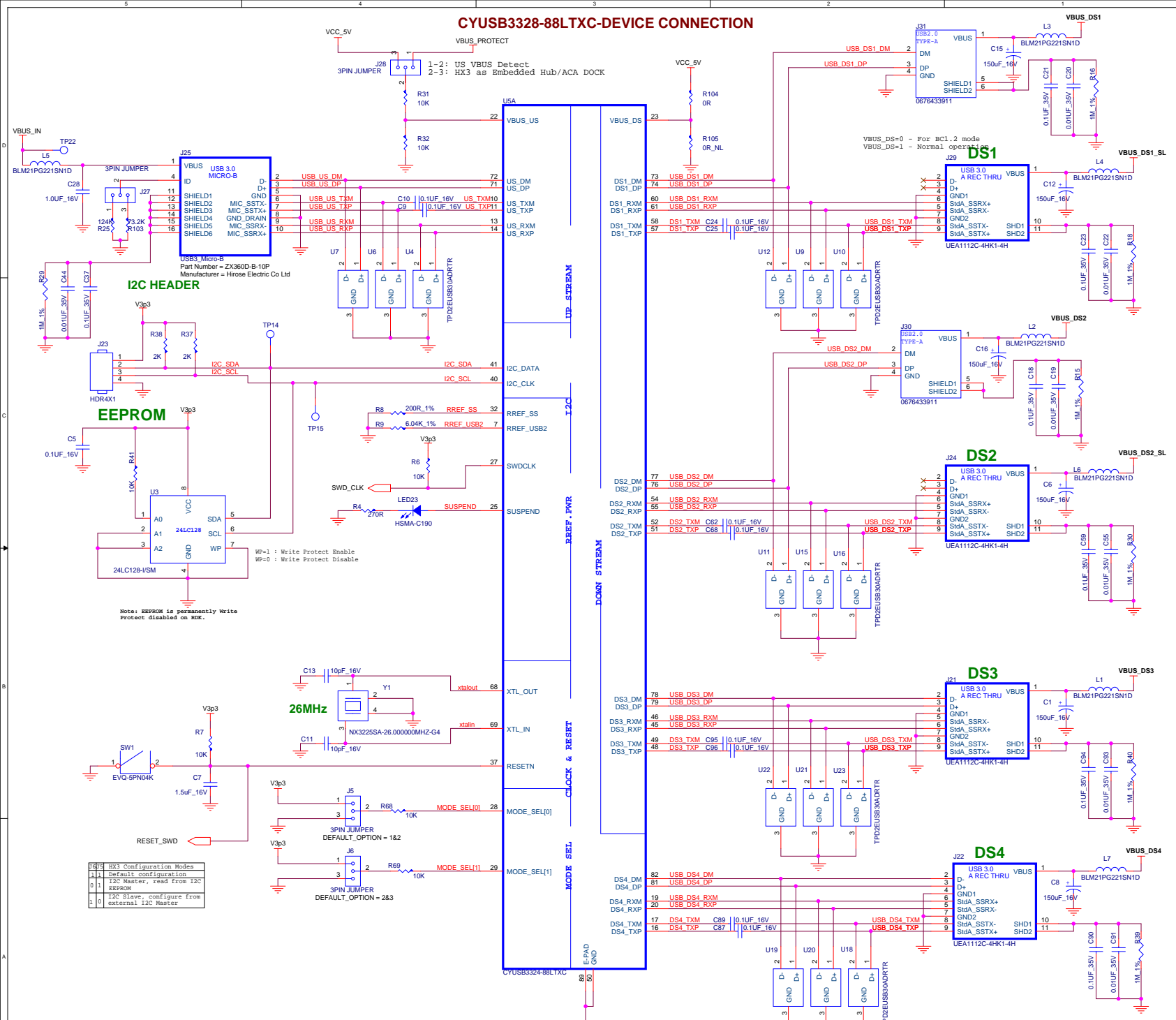


USB POSITIVE OVERVOLTAGE & OVERCURRENT PROTECTION CONTROLLER



CYPRESS SEMICONDUCTOR © 2014		
POWER & DECOUPLING		
Title		
Size Custom	Document Number 630-60156-01	Rev 5.0
Date:	Tuesday, July 01, 2014	Sheet 4 of 6

CYUSB3328-88LTXC-DEVICE CONNECTION

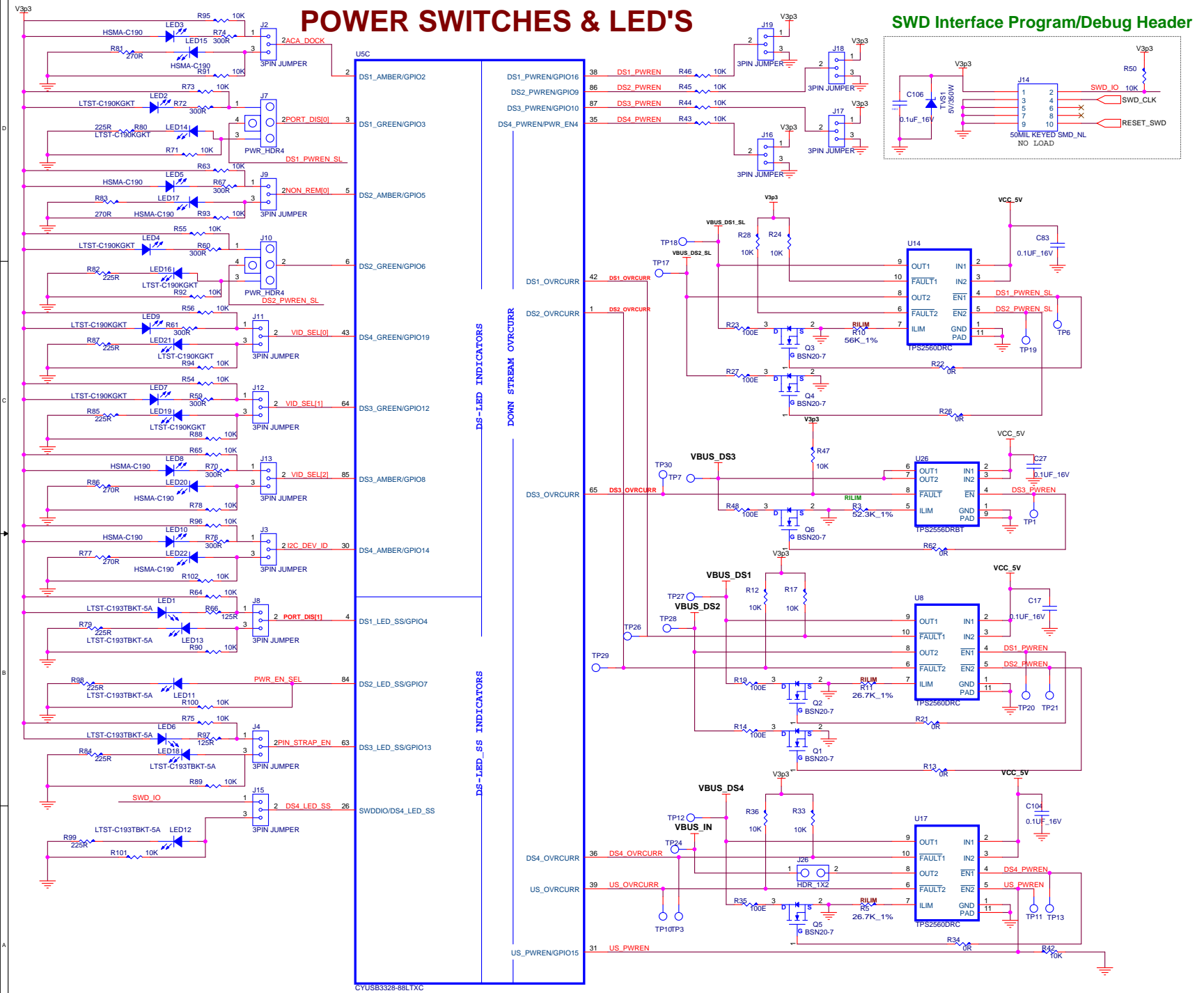
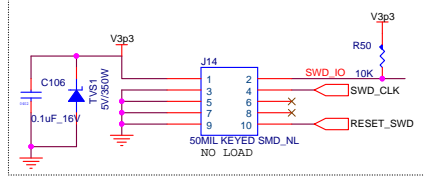


Note: Connect the HX3 EPAD to GND through the via stitches.



POWER SWITCHES & LED'S

SWD Interface Program/Debug Header



CYPRESS SEMI CONDUCTOR © 2014		
Title POWER SWITCHES & LED INDICATORS		
Size Custom	Document Number 630-60156-01	Rev 5.0
Date: Tuesday, July 01, 2014	Sheet 6	of 6

