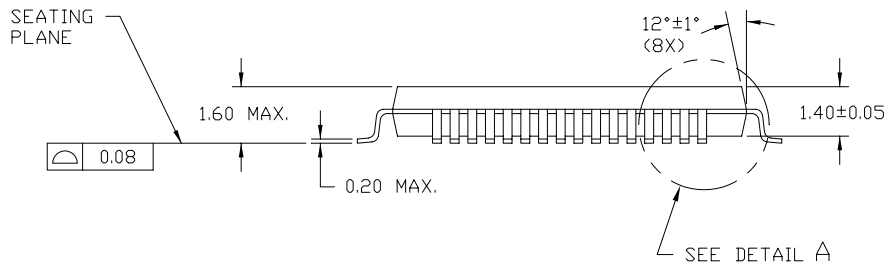
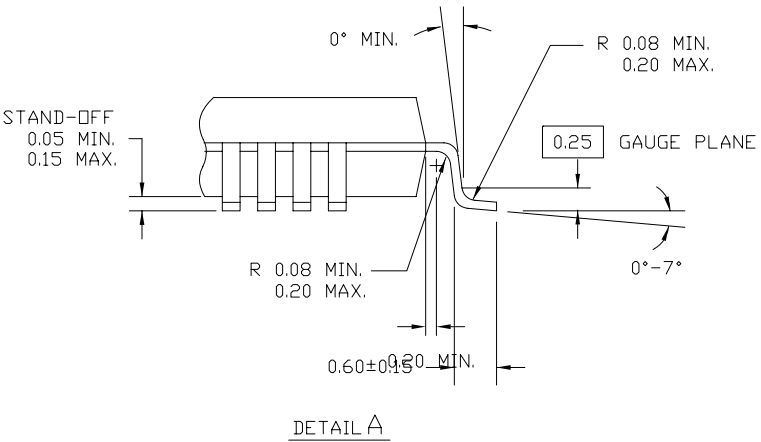
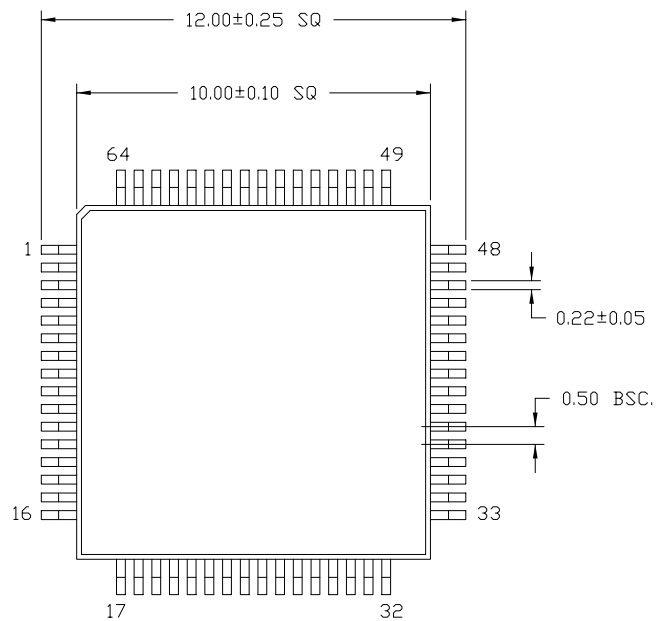


REVISIONS						
PAGE	ZONE	REV	ECN	DESCRIPTION	DATE	APPROVED
1	-	**	583	NEW RELEASE	10/21/93	N/A
1	-	*A	49400	CHANGE TITLE	03/25/97	N/A
1	-	*B	2859822	Changed template, & title from 64 LD TQFP (10 X 10 X 1.4) PKG OUTLINE to PACKAGE OUTLINE, 64LD TQFP 10X10X1.4 MM A64SB.	01/20/10	QAD

64 Lead Thin Plastic Quad Flatpack 10 X 10 X 1.4mm - A64

DIMENSIONS ARE IN MILLIMETERS



UNLESS OTHERWISE SPECIFIED ALL DIMENSIONS ARE IN MILLIMETERS STANDARD TOLERANCES ON: DECIMALS .XX ± 0.05 .XXX ± .XXXX + ANGLES ± 1°	DESIGNED BY HTN	DATE 03/25/97	CYPRESS Company Confidential								
	DRAWN BY HTN	DATE 03/25/97									
	CHECKED BY TSV	DATE 1/20/10									
	APPROVED BY QAD	DATE 1/20/10									
MATERIAL N/A	APPROVED BY JGUA	DATE 1/20/10	TITLE PACKAGE OUTLINE, 64LD TQFP 10X10X1.4 MM A64SB								
FINISH N/A	APPROVED BY N/A	DATE N/A	<table border="1"> <tr> <td>SIZE A</td> <td>PART NO. A64SB</td> <td>DWG NO. 51-85051</td> <td>REV *B</td> </tr> <tr> <td>SCALED TO FIT</td> <td>N/A</td> <td>SHEET 1</td> <td>OF 1</td> </tr> </table>	SIZE A	PART NO. A64SB	DWG NO. 51-85051	REV *B	SCALED TO FIT	N/A	SHEET 1	OF 1
SIZE A	PART NO. A64SB	DWG NO. 51-85051	REV *B								
SCALED TO FIT	N/A	SHEET 1	OF 1								

THIS DRAWING CONTAINS INFORMATION WHICH IS THE PROPRIETARY PROPERTY OF CYPRESS SEMICONDUCTOR CORPORATION. THIS DRAWING IS RECEIVED IN CONFIDENCE AND ITS CONTENTS MAY NOT BE DISCLOSED WITHOUT WRITTEN CONSENT OF CYPRESS SEMICONDUCTOR CORPORATION.