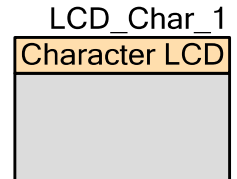


Character LCD

1.90

Features

- Implements the industry-standard Hitachi HD44780 LCD display driver chip protocol
- Requires only seven I/O pins on one I/O port
- Contains built-in character editor to create user-defined custom characters
- Supports horizontal and vertical bar graphs



General Description

The Character LCD component contains a set of library routines that enable simple use of one, two, or four-line LCD modules that follow the Hitachi 44780 standard 4-bit interface. The component provides APIs to implement horizontal and vertical bar graphs, or you can create and display your own custom characters.

When to Use a Character LCD

Use the Character LCD component to display text data to the user of the product or to a developer during design and debug.

Input/Output Connections

This section describes the various input and output connections available for the Character LCD.

LCD_Port – Pin Editor

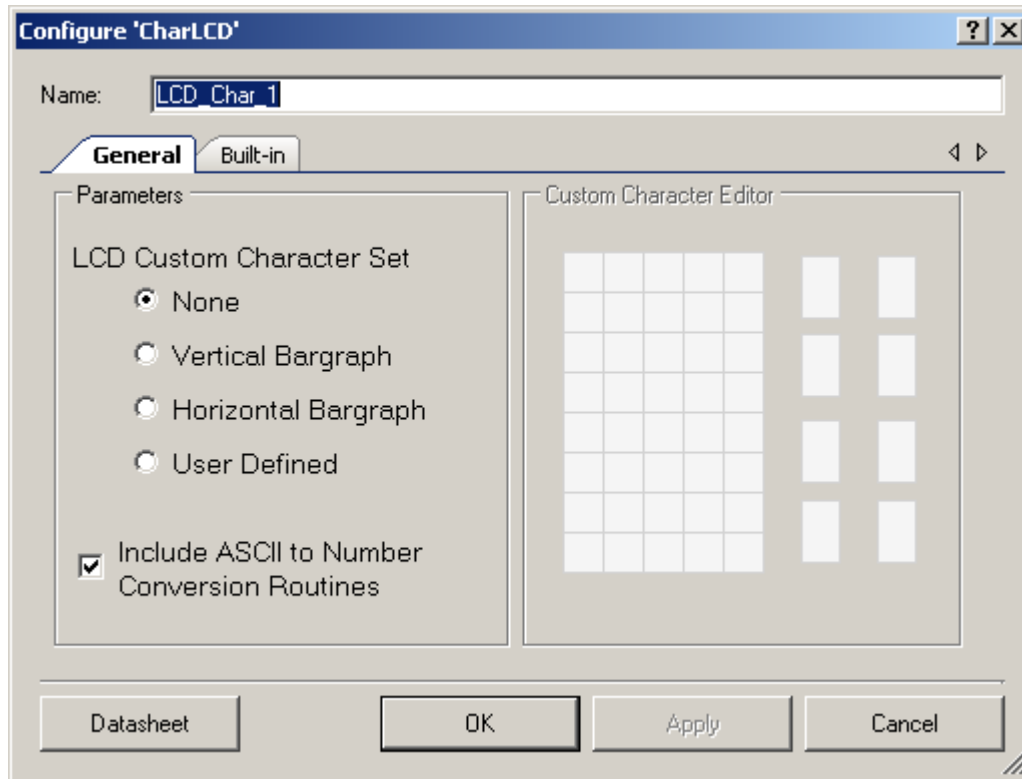
The LCD uses seven consecutive pins of a physical port. To place the Character LCD onto your desired port, use the Design-Wide Resources Pin Editor. The Pin Editor allows you to place this component's digital port on any free output port.

Note The seven pins can be placed to start at either Pin 1 or Pin 0 of the selected port, but may not span ports. These pins are for the exclusive use of the LCD port and cannot be used for any other purpose.

No direct access to the Character LCD's port is needed as the software APIs manage all reads and writes for you. The pin connections between an LCD module and a PSoC logical port are detailed in [Functional Description](#).

Component Parameters

Drag a Character LCD component onto your design and double-click it to open the Configure dialog.



Parameters

LCD Custom Character Set

This parameter enables the selection of the following options:

- **None** (Default) – Do not do anything with custom characters.
- **Vertical Bar Graph** – Generate custom characters and API to manipulate a vertical bar graph.
- **Horizontal Bar Graph** – Generate custom characters and API to manipulate a horizontal bar graph.
- **User Defined** – Create custom characters and API to manipulate them.

After the component has loaded in the characters, the LCD_Char_PutChar() function and the custom character constants (from the header file) can be used to display them.

Conversion Routines

Selecting the **Include ASCII to Number Conversion Routines** option adds several API functions to the generated code. (Refer to the API table or function descriptions for more information about these routines.)

Custom Character Editor

The **Custom Character Editor** makes user-defined character sets easy to create through the use of a GUI. Each of the 8 characters can be up to 5x8 pixels, though some hardware may not display more than the top 5x7.

To use the **Custom Character Editor**, select **User Defined** as the option for the **LCD Custom Character Set**. Then, click on the thumbnail of the character you want to edit.

To toggle a pixel in your character, click on the chosen pixel in the enlarged character view. You may also click and drag to toggle multiple pixels.

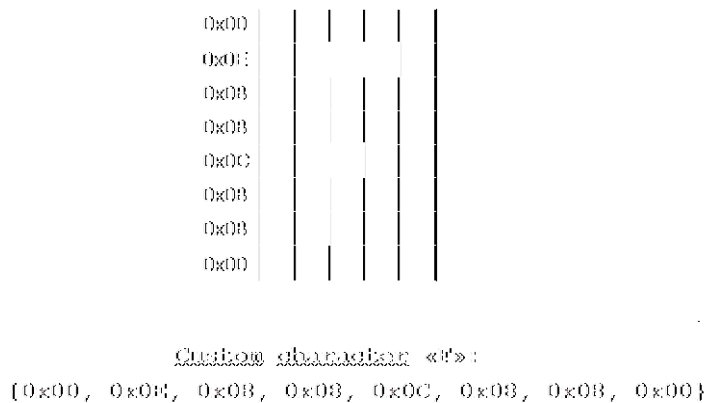
After creating a custom character set, the GUI will generate a look-up array of eight custom characters. Then the look-up array can be loaded to a LCD module. By default, the LCD_Char_Start() routine loads custom characters if any were selected or created.

The component’s functionality allows you to create custom character sets in the code and load them at run time. In that case, the last loaded character set overwrites the previous one and becomes active. To restore the original custom character set use LCD_Char_customFonts[] as a parameter for LCD_Char_LoadCustomFonts(). You don’t need to add LCD_Char_customFonts[] as an external reference as it is already included in LCD_Char.h.

At run time, LCD_Char_LoadCustomFonts() can use that code as a parameter to load the original character set to the LCD module.

Figure 1 shows a custom character encoded into an 8-byte custom character lookup array row.

Figure 1. Custom Character Encoding



As shown in the diagram, each row of a character is encoded as a single byte, from which only the five least-significant bits are used. The top row of the first character is encoded in the first byte of the custom font array. The next row of the first character is the second byte in the array. The first row of the second character is the ninth byte in the array, and so on. The entire custom font array consists of eight custom characters, creating a total array size of 64 bytes.

Application Programming Interface

Application Programming Interface (API) routines allow you to configure the component using software. The following table lists and describes the interface to each function together with related constants provided by the "include" files. The subsequent sections cover each function in more detail.

By default, PSoC Creator assigns the instance name "LCD_Char_1" to the first instance of a component in a given project. You can rename it to any unique value that follows the syntactic rules for identifiers. The instance name becomes the prefix of every global function name, variable, and constant symbol. For readability, the instance name used in the following table is "LCD_Char."

Functions	Description
LCD_Char_Start()	Starts the module and loads custom character set to LCD, if it was defined.
LCD_Char_Stop()	Turns off the LCD
LCD_Char_DisplayOn()	Turns on the LCD module's display
LCD_Char_DisplayOff()	Turns off the LCD module's display
LCD_Char_PrintString()	Prints a null-terminated string to the screen, character by character
LCD_Char_PutChar()	Sends a single character to the LCD module data register at the current position.
LCD_Char_Position()	Sets the cursor's position to match the row and column supplied
LCD_Char_WriteData()	Writes a single byte of data to the LCD module data register
LCD_Char_WriteControl()	Writes a single-byte instruction to the LCD module control register
LCD_Char_ClearDisplay()	Clears the data from the LCD module's screen
LCD_Char_IsReady()	Polls LCD until the ready bit is set
LCD_Char_Sleep()	Prepares component for entering sleep mode
LCD_Char_Wakeup()	Restores components configuration and turns on the LCD
LCD_Char_Init()	Performs initialization required for component's normal work
LCD_Char_Enable()	Turns on the display
LCD_Char_SaveConfig()	Empty API provided to store any required data prior entering to a Sleep mode.
LCD_Char_RestoreConfig()	Empty API provided to restore saved data after exiting a Sleep mode.

The following optional functions are included, when needed, if a user-selected custom font is selected. The LCD_Char_LoadCustomFonts() function comes with every custom font set, whether it is user-defined or PSoC Creator generated. The LCD_Char_LoadCustomFonts() function can be used to load the user-defined or the bar graph characters into the LCD hardware. If loading custom fonts created by the tool, you will need to import a pointer to the custom font to your project prior to using this function (refer to the description of LCD_Char_LoadCustomFonts()). By default, the LCD_Char_Init() routine loads the user-selected custom font. The draw bar graph commands are generated when a bar graph is selected and enable the easy, dynamic adjustment of bar graphs.

Optional Custom Font Functions	Description
LCD_Char_LoadCustomFonts()	Loads custom characters into the LCD module
LCD_Char_DrawHorizontalBG()	Draws a horizontal bar graph. Only available when a bar graph character set has been selected.
LCD_Char_DrawVerticalBG()	Draws a vertical bar graph. Only available when a bar graph character set has been selected.

The following optional functions are included when needed by your selection:

Optional Number to ASCII Conversion Routines	Description
LCD_Char_PrintInt8()	Prints a two-ASCII-character hex representation of the 8-bit value to the Character LCD module.
LCD_Char_PrintInt16()	Prints a four-ASCII-character hex representation of the 16-bit value to the Character LCD module.
LCD_Char_PrintNumber()	Prints the decimal value of a 16-bit value as left-justified ASCII characters

void LCD_Char_Start(void)

Description: This function initializes the LCD hardware module as follows:

- Enables 4-bit interface
- Clears the display
- Enables auto cursor increment
- Resets the cursor to start position

It also loads a custom character set to LCD if it was defined in the customizer's GUI.

Parameters: None

Return Value: None

Side Effects: None



void LCD_Char_Stop(void)

Description: Turns off the display of the LCD screen.

Parameters: None

Return Value: None

Side Effects: None

void LCD_Char_PrintString(char8 const string[])

Description: Writes a null-terminated string of characters to the screen beginning at the current cursor location.

Parameters: char8 const string[]: Null-terminated array of ASCII characters to be displayed on the LCD module's screen.

Return Value: None

Side Effects: None

void LCD_Char_PutChar(char8 character)

Description: Writes an individual character to the screen at the current cursor location. Used to display custom characters through their named values. (LCD_Char_CUSTOM_0 through LCD_Char_CUSTOM_7).

Parameters: char8 character: ASCII character to be displayed on the LCD module's screen.

Return Value: None

Side Effects: None

void LCD_Char_Position(uint8 row, uint8 column)

Description: Moves the cursor to the location specified by arguments **row** and **column**.

Parameters: uint8 row: The row number at which to position the cursor. Minimum value is zero.

uint8 column: The column number at which to position the cursor. Minimum value is zero.

Return Value: None

Side Effects: None



void LCD_Char_WriteData(uint8 dByte)

Description: Writes data to the LCD RAM in the current position. Upon write completion, the position is incremented or decremented depending on the entry mode specified.

Parameters: dByte: A byte value to be written to the LCD module.

Return Value: None

Side Effects: None

void LCD_Char_WriteControl(uint8 cByte)

Description: Writes a command byte to the LCD module. Different LCD models can have their own commands. Review the specific LCD datasheet for commands valid for that model.

Parameters: cByte: 8-bit value representing the command to be loaded into the command register of the LCD module. Valid command parameters are specified in the table below:

Value	Description
LCD_Char_CLEAR_DISPLAY	Clear display
LCD_Char_RESET_CURSOR_POSITION LCD_Char_CURSOR_HOME	Return cursor and LCD to home position
LCD_Char_CURSOR_LEFT	Set left cursor move direction
LCD_Char_CURSOR_RIGHT	Set right cursor move direction
LCD_Char_DISPLAY_CURSOR_ON	Enable display and cursor
LCD_Char_DISPLAY_ON_CURSOR_OFF	Enable display, cursor off
LCD_Char_CURSOR_WINK	Enable display, cursor off, set cursor wink
LCD_Char_CURSOR_BLINK	Enable display and cursor, set cursor blink
LCD_Char_CURSOR_SH_LEFT	Move cursor/Shift display left
LCD_Char_CURSOR_SH_RIGHT	Move cursor/shift display right
LCD_Char_DISPLAY_2_LINES_5x10	Set display to be 2 lines 10 characters

Return Value: None

Side Effects: None



void LCD_Char_ClearDisplay(void)

Description: Clears the contents of the screen and resets the cursor location to be row and column zero. It calls LCD_Char_WriteControl() with the appropriate argument to activate the display.

Parameters: None

Return Value: None

Side Effects: Cursor position reset to row 0 column0.

void LCD_Char_IsReady(void)

Description: Polls LCD until the ready bit is set

Parameters: None

Return Value: None

Side Effects: Changes pins to HI-Z.

void LCD_Char_DisplayOff(void)

Description: Turns the display off, but does not reset the LCD module in any way. It calls function LCD_Char_WriteControl() with the appropriate argument to deactivate the display.

Parameters: None

Return Value: None

Side Effects: None

void LCD_Char_DisplayOn(void)

Description: Turns the display on, *without* initializing it. It calls function LCD_Char_WriteControl() with the appropriate argument to activate the display.

Parameters: None

Return Value: None

Side Effects: None



void LCD_Char_Sleep(void)

- Description:** This is the preferred routine to prepare the component for sleep. The LCD_Char_Sleep() routine saves the current component state. Then it calls the LCD_Char_Stop() function and calls LCD_Char_SaveConfig() to save the hardware configuration.
- Call the LCD_Char_Sleep() function before calling the CyPmSleep() or the CyPmHibernate() function. Refer to the PSoC Creator *System Reference Guide* for more information about power management functions.
- Parameters:** None
- Return Value:** None
- Side Effects:** Doesn't change component pins' drive modes. Use Port Component APIs for that purpose. Because Character LCD is an interface component that has its own protocol, you need to reinitialize the component after you have saved or restored component pin states.

void LCD_Char_Wakeup(void)

- Description:** Restores component's configuration and turns on the LCD.
- Parameters:** None
- Return Value:** None
- Side Effects:** None

void LCD_Char_Init(void)

- Description:** Performs initialization required for the component's normal work. LCD_Char_Init() also loads the custom character set if it was defined in the Configure dialog.
- Parameters:** None
- Return Value:** None
- Side Effects:** None

void LCD_Char_Enable(void)

- Description:** Turns on the display.
- Parameters:** None
- Return Value:** None
- Side Effects:** None



void LCD_Char_SaveConfig(void)

Description: Empties API provided to store any required data prior to entering Sleep mode.

Parameters: None

Return Value: None

Side Effects: None

void LCD_Char_RestoreConfig(void)

Description: Empties API provided to restore saved data after exiting Sleep mode.

Parameters: None

Return Value: None

Side Effects: None

void LCD_Char_LoadCustomFonts(uint8 const customData[])

Description: Loads eight custom characters (bar graph or user-defined fonts) into the LCD module to use the custom fonts during runtime. Only available if a custom character set was selected in the customizer.

Parameters: uint8 const customData[]: Pointer to the head of an array of bytes. Array should be 64 bytes long as 5x8 characters require 8 bytes per character.

Return Value: None

Side Effects: Overwrites any previous custom characters that may have been stored in the LCD module.

void LCD_Char_DrawHorizontalBG(uint8 row, uint8 column, uint8 maxCharacters, uint8 value)

Description: Draws a horizontal bar graph. Only available if a horizontal or vertical bar graph was selected.

Parameters: uint8 row: The row of the first character in the bar graph.

uint8 column: The column of the first character in the bar graph.

uint8 maxCharacters: Number of whole characters the bar graph consumes. Represents height or width depending upon the bar graph selection. Each character is 5 pixels wide and 8 pixels high.

uint8 value: Number of shaded pixels to draw. May not exceed total pixel length (height) of the bar graph.

Return Value: None

Side Effects: None



void LCD_Char_DrawVerticalBG(uint8 row, uint8 column, uint8 maxCharacters, uint8 value)

- Description:** Draws a vertical bar graph. Only available if a horizontal or vertical bar graph was selected.
- Parameters:**
- uint8 row: The row of the first character in the bar graph.
 - uint8 column: The column of the first character in the bar graph.
 - uint8 maxCharacters: Number of whole characters the bar graph consumes. Represents height or width depending upon the bar graph selection. Each character is 5 pixels wide and 8 pixels high.
 - uint8 value: Number of shaded pixels to draw. May not exceed total pixel length (height) of the bar graph.
- Return Value:** None
- Side Effects:** None

void LCD_Char_PrintInt8(uint8 value)

- Description:** Prints a two-ASCII-character representation of the 8-bit value to the Character LCD module.
- Parameters:** uint8 value: The 8-bit value to be printed in hexadecimal ASCII characters.
- Return Value:** None
- Side Effects:** None

void LCD_Char_PrintInt16(uint16 value)

- Description:** Prints a four-ASCII-character representation of the 16-bit value to the Character LCD module.
- Parameters:** uint16 value: The 16-bit value to be printed in hexadecimal ASCII characters.
- Return Value:** None
- Side Effects:** None



void LCD_Char_PrintNumber(uint16 value)

- Description:** Prints the decimal value of a 16-bit value as left-justified ASCII characters.
- Parameters:** uint16 value: The 16-bit value to be printed in ASCII characters as a decimal number.
- Return Value:** None
- Side Effects:** None

MISRA Compliance

This section describes the MISRA-C:2004 compliance and deviations for the component. There are two types of deviations defined: project deviations – deviations that are applicable for all PSoC Creator components and specific deviations – deviations that are applicable only for this component. This section provides information on component specific deviations. The project deviations are described in the MISRA Compliance section of the *System Reference Guide* along with information on the MISRA compliance verification environment.

The Character LCD component has the following specific deviations:

MISRA-C:2004 Rule	Rule Class (Required/Advisory)	Rule Description	Description of Deviation(s)
19.7	R	A function shall be used in preference to a function-like macro.	<p>Following macros were marked obsolete: LCD_PrintDecUInt16(x), LCD_PrintHexUInt8(x), LCD_PrintHexUInt16(x)</p> <p>They are redefine functionality of : LCD_PrintNumber(), LCD_PrintInt8(), LCD_PrintInt16()</p> <p>They will be removed in future version of the component.</p>

This component has the following embedded component - Pins. Refer to the corresponding component datasheet for information on their MISRA compliance and specific deviations.

Sample Firmware Source Code

PSoC Creator provides many example projects that include schematics and example code in the Find Example Project dialog. For component-specific examples, open the dialog from the Component Catalog or an instance of the component in a schematic. For general examples, open the dialog from the Start Page or **File** menu. As needed, use the **Filter Options** in the dialog to narrow the list of projects available to select.

Refer to the "Find Example Project" topic in the PSoC Creator Help for more information.



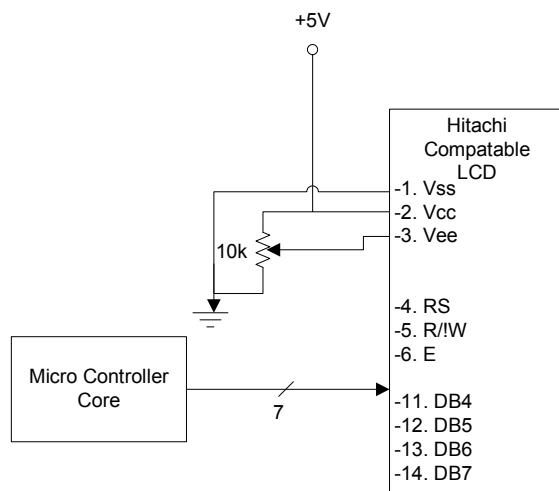
Functional Description

The LCD module provides a visual display for alphanumeric characters as well as limited custom fonts. The APIs configures the PSoC device as necessary to easily interface between the standard Hitachi LCD display driver and the PSoC device.

The following table describes the LCD logical port pin to physical LCD module pin mapping. The LCD's Logical port can be mapped to start on the first or second physical pin of a port; it may not span ports. That is, LogicalPort_0 could theoretically be Port 2, Pin 0 or Port 2, Pin 1. Using the pin editor to force the LCD logical port to begin at pin 0 improves efficiency by reducing the number of shifts required to align data for a write.

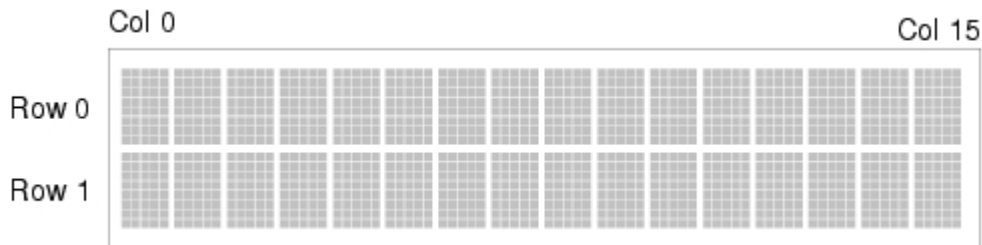
Logical Port Pin	LCD Module Pin	Description
LCDPort_0	DB4	Data Bit 0
LCDPort_1	DB5	Data Bit 1
LCDPort_2	DB6	Data Bit 2
LCDPort_3	DB7	Data Bit 3
LCDPort_4	E	LCD Enable (strobe to confirm new data available)
LCDPort_5	RS	Register Select (select data or control input data)
LCDPort_6	R!/W	Read/not Write (toggle for polling the ready bit of the LCD)

Figure 2. Pin Editor Diagram



The LCD_Char_Position() function manages display addressing as follows. Row zero, column zero is in the upper left corner with the column number increasing to the right. In a four-line display, writing beyond column 19 of row 0 can result in row 2 being corrupted because the addressing maps row 0, column 20 to row 2, column 0. This is not an issue in the standard 2x16 Hitachi module.



Figure 3. 2x16 Hitachi LCD Module

Resources

The Character LCD component uses 7 I/O pins.

API Memory Usage

The component memory usage varies significantly, depending on the compiler, device, number of APIs used and component configuration. The following table provides the memory usage for all APIs available in the given component configuration.

The measurements have been done with the associated compiler configured in Release mode with optimization set for Size. For a specific design the map file generated by the compiler can be analyzed to determine the memory usage.

Configuration	PSoC 3 (Keil_PK51)		PSoC 4 (GCC)		PSoC 5LP (GCC)	
	Flash Bytes	SRAM Bytes	Flash Bytes	SRAM Bytes	Flash Bytes	SRAM Bytes
None	652	3	610	6	642	6
Vertical	1049	3	874	6	894	6
Horizontal	979	3	830	6	852	6
User Defined	790	3	724	6	760	6
None + Conversion Routines	918	3	772	6	826	6

DC and AC Electrical Characteristics

N/A

Component Changes

This section lists the major changes in the component from the previous versions.



Version	Description of Changes	Reason for Changes / Impact
1.90	Added PSoC4 support.	Fixed number of type conversion issues in component source code.
	Updated datasheet with memory usage for PSoC 4	
1.80	Added MISRA Compliance section.	The component has specific deviations described.
	Functions LCD_PrintDecUint16(x), LCD_PrintHexUint8(x) and LCD_PrintHexUint16(x) were made obsolete.	
	Updated API Memory Usage table.	
	MISRA related changes. Following API function's declarations were changed: from LCD_Char_LoadCustomFonts(uint8* customData) to LCD_Char_LoadCustomFonts(uint8 const customData[]); from LCD_Char_PrintString(const char8* string) to LCD_Char_PrintString(char8 const string[]).	MISRA doesn't allow using variables as arrays when they are declared as pointers.
In Custom Character Editor section a note about adding and external reference to LCD_Char_customFonts[] was removed.	LCD_Char.h file now includes LCD_Char_customFonts[].	
1.70	Increased delays between signal transitions when writing to the LCD display.	On the CY8CKIT-050 development board with optimized compiler settings, the signals to the LCD were not making full transitions.
1.60	Added characterization section to datasheet	
	Added all component APIs with the CYREENTRANT keyword when they are included in the .cyre file.APIs.	Not all APIs are truly reentrant. Comments in the component API source files indicate which functions are candidates. This change is required to eliminate compiler warnings for functions that are not reentrant used in a safe way: protected from concurrent calls by flags or Critical Sections.Add the capability for customers to specify any individual generated functions as reentrant.
	LCD_Char_DrawHorizontalBG() and LCD_Char_DrawVerticalBG() bar graph added to a conditional compilation.	To prevent usage of bar graph API function with improper custom character set.
1.50.c	Added instruction to datasheet to restore default customer font set	



Version	Description of Changes	Reason for Changes / Impact
1.50.b	Removed void LCD_Char_WriteControl(uint8 command) API.	void LCD_Char_WriteControl(uint8 command) API was described twice in the API section, so the extra description was deleted.
	Removed a note about the necessity of calling LCD_Char_LoadCustomFonts() from the description of LCD_Char_DrawHorizontalBG() and LCD_Char_DrawVerticalBG() APIs.	Now there is no need to call LCD_Char_LoadCustomFonts() prior using LCD_Char_DrawHorizontalBG() or LCD_Char_DrawVerticalBG() as it is done in the component's LCD_Char_Start() routine.
1.50.a	Updated LCD_Char_WriteData(), LCD_Char_WriteControl(), and LCD_Char_Sleep() API's description in the datasheet	There was no description of parameters in function LCD_Char_WriteData(), so the appropriate description was added. The description of LCD_Char_Sleep() was very poor so it was updated with more details. The description of LCD_Char_WriteControl() were extended with details of possible input parameter values.
	Minor datasheet edits and updates	
1.50	Added LCD_Char_Sleep(), LCD_Char_Wakeup(), LCD_Char_Enable(), LCD_Char_Init(), LCD_Char_SaveConfig(), LCD_Char_RestoreConfig() APIs.	To support low power modes and provide common interfaces for most components.
	Added new API file - <i>CharLCD_PM.c</i> which contains declaration of Sleep mode APIs.	To support low power modes.
	Added a call to LCD_Char_LoadCustomFonts() in the LCD_Char_Init() API.	The selected custom font in the Configure dialog is automatically loaded the first time LCD_Char_Start() is called in the project.
1.40	Added an additional delay into the initialization sequence of the LCD_Char_Start() function in order to meet the timing requirements for the display.	Prevents failures in initialization that were present when running the system at high frequencies.
1.30	Replaced Digital Port component with a Pins component in the Char LCD schematic.	Old Digital Port was deprecated and was replaced with the new Pins component.
	Added description of IsReady function.	There was no mention about LCD_Char_IsReady() in the old version of datasheet.
	Deleted the function LCD_Char_DelayUS() and replaced it with LCD_Char_CyDelay() or LCD_Char_IsReady().	This was to address a timing issue with the component which caused some failures.
1.20.a	Added information to the component that advertizes its compatibility with silicon revisions.	The tool reports an error/warning if the component is used on incompatible silicon. If this happens, update to a revision that supports your target device.
1.20	Updated Symbol	To comply with corporate standard.
1.10.a	Added information to the component that advertizes its compatibility with silicon revisions.	The tool reports an error/warning if the component is used on incompatible silicon. If this happens, update to a revision that supports your target device.

Version	Description of Changes	Reason for Changes / Impact
1.10	Various updates from version 0.2	0.2 version was included with alpha builds, but was not a completely functional component.

© Cypress Semiconductor Corporation, 2010-2013. The information contained herein is subject to change without notice. Cypress Semiconductor Corporation assumes no responsibility for the use of any circuitry other than circuitry embodied in a Cypress product. Nor does it convey or imply any license under patent or other rights. Cypress products are not warranted nor intended to be used for medical, life support, life saving, critical control or safety applications, unless pursuant to an express written agreement with Cypress. Furthermore, Cypress does not authorize its products for use as critical components in life-support systems where a malfunction or failure may reasonably be expected to result in significant injury to the user. The inclusion of Cypress products in life-support systems application implies that the manufacturer assumes all risk of such use and in doing so indemnifies Cypress against all charges.

PSoC[®] is a registered trademark, and PSoC Creator[™] and Programmable System-on-Chip[™] are trademarks of Cypress Semiconductor Corp. All other trademarks or registered trademarks referenced herein are property of the respective corporations.

Any Source Code (software and/or firmware) is owned by Cypress Semiconductor Corporation (Cypress) and is protected by and subject to worldwide patent protection (United States and foreign), United States copyright laws and international treaty provisions. Cypress hereby grants to licensee a personal, non-exclusive, non-transferable license to copy, use, modify, create derivative works of, and compile the Cypress Source Code and derivative works for the sole purpose of creating custom software and or firmware in support of licensee product to be used only in conjunction with a Cypress integrated circuit as specified in the applicable agreement. Any reproduction, modification, translation, compilation, or representation of this Source Code except as specified above is prohibited without the express written permission of Cypress.

Disclaimer: CYPRESS MAKES NO WARRANTY OF ANY KIND, EXPRESS OR IMPLIED, WITH REGARD TO THIS MATERIAL, INCLUDING, BUT NOT LIMITED TO, THE IMPLIED WARRANTIES OF MERCHANTABILITY AND FITNESS FOR A PARTICULAR PURPOSE. Cypress reserves the right to make changes without further notice to the materials described herein. Cypress does not assume any liability arising out of the application or use of any product or circuit described herein. Cypress does not authorize its products for use as critical components in life-support systems where a malfunction or failure may reasonably be expected to result in significant injury to the user. The inclusion of Cypress' product in a life-support systems application implies that the manufacturer assumes all risk of such use and in doing so indemnifies Cypress against all charges.

Use may be limited by and subject to the applicable Cypress software license agreement.

