



THIS SPEC IS OBSOLETE

Spec No: 001-32909

Spec Title: PROGRAMMABLE ANALOG HIGH
CURRENT SOURCE, PSOC(R) 1 STYLE -
AN2203

Sunset Owner: Rajiv Vasanth Badiger (RJVB)

Replaced By: 001-40440

AN2203

Author: Dave Van Ess

Associated Project: Yes

Associated Part Family: CY8C24xxxA, CY8C27xxx, CY29xxx

Software Version: PSoC Designer™ 5.1 SP1

Associated Application Notes: AN2089

Application Notes Abstract

The unique configuration of the PSoC[®]1 switched capacitor blocks allows, with the addition of an external pass transistor and current setting resistor, the construction of a programmable current source. A detailed explanation of this function is provided, demonstrating how to build a programmable current source using a single switched capacitor block.

Introduction

One of the first functions required by users was a programmable current source. The first response to this need was a bipolar current source capable of sourcing or sinking 40 mA, documented in application note, AN2089: *Programmable Bipolar Analog Current Source, PSoC Style*.

Of course, the natural user was to ask for more; "More current please!"

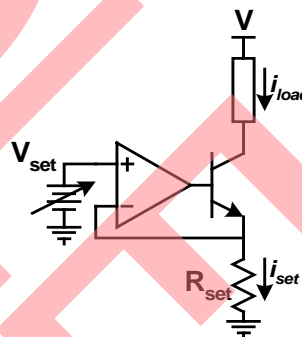
This application note provides:

- A brief explanation of opamp based current sources.
- An explanation of how a switched capacitor integrator can be substituted to simulate an opamp.
- An example of analog current source implemented with a single PSoC analog switched capacitor block.

Current Source

Figure 1 shows a classic design of a current source built with an opamp and a bipolar pass transistor.

Figure 1. Opamp and Pass Transistor Current Source



This circuit has an opamp configured with negative feedback. The opamp attempts to do whatever is necessary to make a voltage difference between its inputs zero. This condition is met when the opamp's output is a base emitter junction greater than V_{set} as shown in Equation 1.

$$V_{out} = V_{be} + V_{set} \quad \text{Equation 1}$$

The voltage across the reference resistor is one base emitter junction lower than the opamp output or V_{set} . Equation 2 defines the current generated by the resistor.

$$i_{set} = \frac{V_{set}}{R_{set}} \quad \text{Equation 2}$$

The load current is approximately equal to the set current. It differs by the beta value of the transistor. The actual load current is shown in Equation 3.

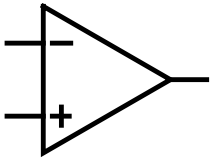
$$i_{load} = \frac{\beta}{\beta + 1} \cdot i_{set} \quad \text{Equation 3}$$

This circuit is easily constructed given an unencumbered opamp. This set of connections is possible using continuous time PSoC blocks, but due to routing phase shift, this topology is unstable. What is needed is an equivalent PSoC topology that is stable.

Faux Opamp S'il Vous Plait

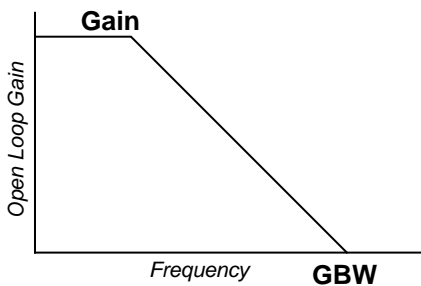
A generic compensated opamp is shown in Figure 2.

Figure 2. Generic Compensated Opamp



Its Bode plot is shown in Figure 3.

Figure 3. Typical Opamp Bode Plot



The opamp has an open loop DC **Gain** and rolls off at the roll-off frequency **Gain/GBW**. The frequency where the gain is equal to one is known as the gain bandwidth (**GBW**). The transfer function is shown in Equation 4.

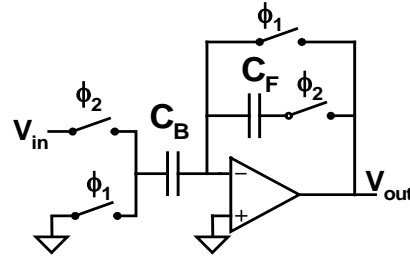
$$H(s) = \frac{-Gain}{1 + \frac{s}{2\pi GBW/Gain}} \approx \frac{1}{\frac{s}{2\pi GBW}} \quad \text{Equation 4}$$

For frequencies greater than the roll-off point, this transfer function approximates an integrator.

For close loop control circuits, an integrator can be used in lieu of an opamp.

A switched capacitor integrator is shown in Figure 4.

Figure 4. Switched Capacitor Integrator



The transfer function is shown in Equation 5.

$$H(s) = \frac{-\left(1 + \frac{s}{2f_s}\right)}{\left(\frac{s}{f_s C_B/C_F}\right)} \approx \frac{-1}{\left(\frac{s}{f_s C_B/C_F}\right)} \quad \text{Equation 4}$$

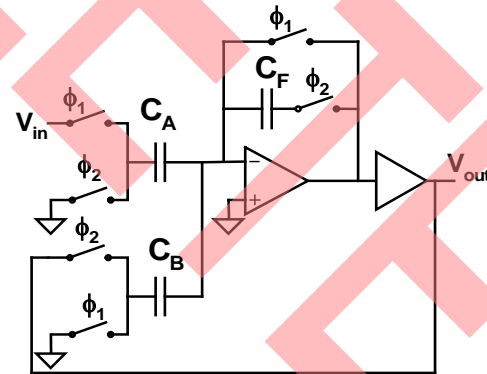
Combining Equations 4 and 5 produce the gain bandwidth value for a switched capacitor integrator, shown in Equation 6.

$$GBW = \frac{f_s C_B}{2\pi C_F} \quad \text{Equation 5}$$

Changing the values of C_B , C_F , or f_s alters the gain bandwidth. Flexible control of **GBW** allows the user to design a stable, closed loop feedback system.

A differential input integrator is shown in Figure 5.

Figure 5. Differential Input Integrator



The output of the integrator is connected to an analog buffer and brought out to a pin. This analog output is fed back to a pin having a negative (C_B) input to the integrator. The transfer function is shown in Equation 7.

$$H(s) = \frac{\frac{C_A}{C_B} \left(1 + \frac{s}{2f_s}\right)}{\frac{s}{f_s} \left(\frac{C_F}{C_B} + \frac{1}{2}\right) + 1} \approx \frac{\frac{C_A}{C_B}}{\frac{s}{f_s} \left(\frac{C_F}{C_B} + \frac{1}{2}\right) + 1} \quad \text{Equation 6}$$

This transfer equation is that of a single pole low pass filter with gain. The general form is shown in Equation 8.

$$H(s) = \frac{\text{Gain}}{\frac{s}{2\pi f_0} + 1} \quad \text{Equation 7}$$

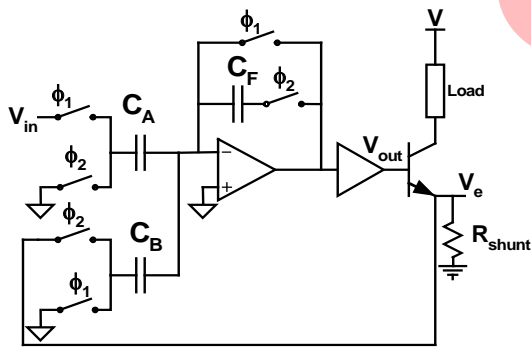
Combining these two equations result in the gain (Equation 9) and the roll-off frequency (Equation 10).

$$\text{Gain} = \frac{C_A}{C_B} \quad \text{Equation 8}$$

$$f_0 = \frac{f_s}{2\pi \left(\frac{C_F}{C_B} + \frac{1}{2}\right)} \quad \text{Equation 9}$$

To make a current source, a bipolar transistor is added to the output of a differential integrator. The transistor's emitter is fed back to the negative input. The schematic is shown in Figure 6.

Figure 6. Faux Opamp Current Source



Its operation is defined in Equations 11 and 12.

$$V_{out} = V_{in} \frac{C_A}{C_F} \frac{1 + \frac{s}{f_s}}{\frac{s}{f_s}} - V_e \frac{C_B}{C_F} \frac{1 + \frac{s}{f_s}}{\frac{s}{f_s}} \quad \text{Equation 10}$$

$$V_e = V_{out} - v_{be} \quad \text{Equation 11}$$

Combining these two equations to solve for V_e , results in Equation 13.

$$V_e = V_{in} \frac{\frac{C_A}{C_B} \left(1 + \frac{s}{2f_s}\right)}{\frac{s}{f_s} \left(\frac{C_F}{C_B} + \frac{1}{2}\right) + 1} - v_{be} \frac{\frac{s}{f_s} \frac{C_F}{C_B}}{\frac{s}{f_s} \left(\frac{C_F}{C_B} + \frac{1}{2}\right) + 1} \quad \text{Equation 12}$$

The output voltage at the emitter is a function of V_{in} and the base emitter voltage drop v_{be} . Note that the transfer function for contribution v_{be} provides a high pass filter. Because v_{be} is a DC value, nothing is contributed. This leads to a more simplified Equation 14.

$$\frac{V_e}{V_{in}} = \frac{\frac{C_A}{C_B} \left(1 + \frac{s}{2f_s}\right)}{\frac{s}{f_s} \left(\frac{C_F}{C_B} + \frac{1}{2}\right) + 1} \approx \frac{\frac{C_A}{C_B}}{\frac{s}{f_s} \left(\frac{C_F}{C_B} + \frac{1}{2}\right) + 1} \quad \text{Equation 13}$$

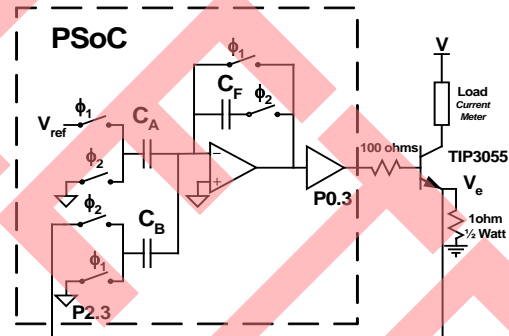
Again, this transfer function is a single pole low pass filter with gain. Its gain and roll-off values are the same as those defined in Equations 9 and 10.

The resistor at the emitter converts this voltage to a current. This current flows through the collector to the load.

So Build Something Already

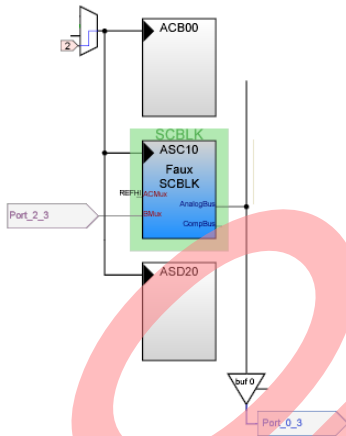
This example is a 500 mA current source. Its schematic is shown in Figure 7.

Figure 7. 500 mA PSoC Current Source Implementation



A 100 ohm resistor is in series with the base of the transistor. This isolates the analog buffer from the input capacitance of the power transistor's base emitter junction to guarantee stable operation of the output buffer. Figure 8 shows the user module placement for this example.

Figure 8. Current Source User Module Placement



Several system parameters must be set. They are:

- **Set AGND to V_{bg} (1.3V).** This sets the analog ground 1.3 volts above V_{ss} .
- **Set Vref to V_{bg} .**
- **Set VC2 to 1 MHz.** This value is selected as the column clock frequency.

$$f_s = \frac{f_{cc}}{4} = \frac{1.0MHz}{4} = 250kHz \quad \text{Equation 14}$$

This is a good sample frequency for an autozeroed integrator.

The global resources are shown in Figure 9.

Figure 9. Global Resources for 500 mA Current Source

Global Resources	
CPU_Clock	3_MHz (SysClk/8)
32K_Select	Internal
PLL_Mode	Disable
Sleep_Timer	512_Hz
VC1= SysClk/N	6
VC2= VC1/N	4
VC3 Source	SysClk*2
VC3 Divider	256
SysClk Source	Internal 24_MHz
SysClk*2 Disable	Yes
Analog Power	SC On/Ref High
Ref Mux	BandGap+/-BandGap
AGndBypass	Disable
Op-Amp Bias	Low
A_Buff_Power	Low
SwitchModePump	OFF
Trip Voltage [LVD (SMP)]	4.64V (5.00V)
LVD ThrottleBack	Disable
Supply Voltage	5.0V
Watchdog Enable	Disable

To generate 500 mA, a 1 ohm resistor is used. V_e must be set to be $\frac{1}{2}$ volt above V_{ss} . This resistor dissipates $\frac{1}{4}$ watt of power. A $\frac{1}{2}$ watt resistor was selected. With V_{ss} selected to be 1.3V below ground, Equation 16 defines the required value of V_e .

$$V_e = V_{ss} + .5v = -1.3v + .5v = -.8v \quad \text{Equation 15}$$

Using the gain equation (Equation 9), Equation 17 gives the value of V_e as a function of V_{ref} , A_{sign} , C_A , and C_B , the gain equation.

$$V_e = A_{sign} \cdot V_{ref} \cdot \frac{C_A}{C_B} \quad \text{Equation 16}$$

Equation 17 is rearranged and shown in Equation 18.

$$A_{sign} \frac{C_A}{C_B} = \frac{V_e}{V_{ref}} = \frac{-.8v}{1.3v} \quad \text{Equation 17}$$

One solution for Equation 18 is given in Equation 19.

$$\begin{aligned} C_A &= 16 \\ C_B &= 26 \\ A_{sign} &= Neg \end{aligned} \quad \text{Equation 18}$$

With these values for C_A , C_B , and A_{sign} and setting the other parameters to configure a differential autozeroed integrator, the SCBlock is fully parameterized. The parameter selection is shown in Figure 10.

Figure 10. Parameter Selection for Faux SCBlock

User Module Parameters	
FCap	32
ClockPhase	Norm
ASign	Neg
ACap	16
ACMux	REFHI
BCap	26
AnalogBus	AnalogOutBus_0
CompBus	Disable
AutoZero	On
CCap	0
ARefMux	AGND
FSW1	On
FSW0	Off
BMux	Port_2_3
Power	High

Adapted from the equation, the roll-off frequency is calculated as shown in Equation 20.

$$f_0 = \frac{f_s}{2\pi \left(\frac{C_F}{C_B} + \frac{1}{2} \right)} = \frac{250kHz_s}{2\pi \left(\frac{32}{26} + \frac{1}{2} \right)} = 23.0kHz \quad \text{Equation 19}$$

For a DC current source, a roll-off frequency of 23 kHz, allows for fast response to load changes.

Now for the Software

There isn't any! The SCBlock is configured at start up and immediately starts functioning as a current source. Most users choose not to have to write any 'C' code. Those uncomfortable or inexperienced with 'C' may choose not to write any assembly code.

But I Don't Have a Port 2

The previous solution had V_e coming in on one of the port 2 switched capacitor inputs. This allows it a range that includes the supply rails. It also requires the use of a port 2 switched capacitor input. If you don't have a port 2, you are not out of luck. There are two solutions.

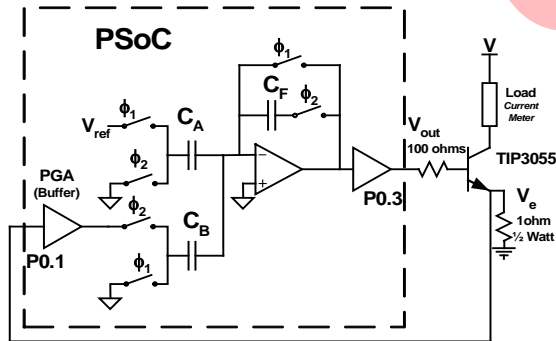
The Marketing Solution

Have you considered getting a part that includes port 2? Think of it as "super sizing" your order. For a few more pennies per pin you can get at least eight more general-purpose I/O pins, some with switched capacitor inputs. How many times at a project's conclusion have you wished you had fewer resources?

The Technical Solution

Figure 11 looks like the implementation in Figure 2 except that V_e now feeds a Programmable Gain Amplifier (PGA) configured as a unity gain Buffer. The PGA input is on Port 0[2]; its output is fed directly into the B input of the differential integrator.

Figure 11. 500 mA PSoC Current Source Buffer Input Implementation

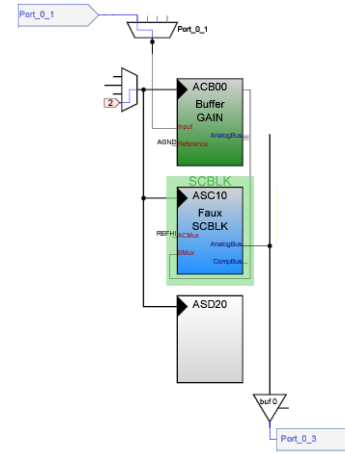


Whenever a component is added to a feedback loop, the question of stability arises. Will this circuit be stable? Applying the defined parameters to Equation 6, results gain bandwidth value. It is shown in Equation 21.

$$GBW = \frac{f_s}{2\pi} \frac{C_B}{C_F} = \frac{250kHz}{2\pi} \frac{26}{32} = 32.3kHz \quad \text{Equation 20}$$

A PGA (unity gain, high power) has a 3 dB roll-off point of about 6 MHz. At 32 kHz, this buffer adds no significant phase shift to the signal. This implementation is unconditionally stable. The block placement is shown in Figure 12.

Figure 12. Current Source with Buffered Feedback User Module Placement



The parameter selection for the PGA buffer is shown in Figure 13.

Figure 13. Analog Buffer Parameters

User Module Parameters	
Gain	1.000
Input	AnalogColumn_InputMUX_0
Reference	AGND
AnalogBus	Disable

The only change to the SCBlock parameters is to connect the input to C_B from port 2[3] to the output of the buffer (ACB00) as shown in Figure 14.

Figure 14. SCBlock B Input Parameter Selection



Software?

An API call is required to power on the PGA **Buffer**. Code 1 shows how it is done in 'C'.

Code 1.

```
Buffer_Start(Buffer_HIGHPOWER);
```

Code 2 shows the assembly implementation.

Code 2.

```
mov  A,Buffer_HIGHPOWER
call Buffer_Start
jmp  _main
```

About the Author

Name: Dave Van Ess

Title: Staff Applications Engineer

Background: BSEE from University of California, Berkeley.

More than 27 years experience in circuit, signal processing, digital, software, analog, and system design.

Holder of five U.S. patents (plus three pending) for medical systems and signal processing. Holder of one U.S. patent (plus one pending) for PSoC enhancements. Author of numerous application notes and technical articles.

Joined Cypress in 2000.

Contact: dvw@cypress.com

Summary

Switched capacitor blocks are easily configured to be integrators. When configured as an integrator, a switch capacitor block can function as an op-amp. Parameterization of the capacitor values and sample frequency allow precise control of its gain bandwidth, insuring closed loop stability. The addition of an external pass transistor and current setting resistor, allows easy construction of a current.

Document History

Document Title: Programmable Analog High Current Source, PSoC® 1 Style – AN2203

Document Number: 001-32909

Revision	ECN	Orig. of Change	Submission Date	Description of Change
**	1494923	DWV	09/21/07	Recataloged application note.
*A	2577399	YJI	10/03/08	Added part CY29xxx to associated parts.
*B	3223406	YJI	04/12/11	Application note updated for PSoC Designer 5.1 SP1
*C	4345951	RJVB	04/14/2014	Obsolete document. Completing Sunset Review.

In March of 2007, Cypress recataloged all of its Application Notes using a new documentation number and revision code. This new documentation number and revision code (001-xxxxx, beginning with rev. **), located in the footer of the document, will be used in all subsequent revisions.

PSoC is a registered trademark of Cypress Semiconductor Corp. "Programmable System-on-Chip," PSoC Designer, and PSoC Express are trademarks of Cypress Semiconductor Corp. All other trademarks or registered trademarks referenced herein are the property of their respective owners.

Cypress Semiconductor
198 Champion Court
San Jose, CA 95134-1709
Phone: 408-943-2600
Fax: 408-943-4730
<http://www.cypress.com/>

© Cypress Semiconductor Corporation, 2007-2014. The information contained herein is subject to change without notice. Cypress Semiconductor Corporation assumes no responsibility for the use of any circuitry other than circuitry embodied in a Cypress product. Nor does it convey or imply any license under patent or other rights. Cypress products are not warranted nor intended to be used for medical, life support, life saving, critical control or safety applications, unless pursuant to an express written agreement with Cypress. Furthermore, Cypress does not authorize its products for use as critical components in life-support systems where a malfunction or failure may reasonably be expected to result in significant injury to the user. The inclusion of Cypress products in life-support systems application implies that the manufacturer assumes all risk of such use and in doing so indemnifies Cypress against all charges.

This Source Code (software and/or firmware) is owned by Cypress Semiconductor Corporation (Cypress) and is protected by and subject to worldwide patent protection (United States and foreign), United States copyright laws and international treaty provisions. Cypress hereby grants to licensee a personal, non-exclusive, non-transferable license to copy, use, modify, create derivative works of, and compile the Cypress Source Code and derivative works for the sole purpose of creating custom software and or firmware in support of licensee product to be used only in conjunction with a Cypress integrated circuit as specified in the applicable agreement. Any reproduction, modification, translation, compilation, or representation of this Source Code except as specified above is prohibited without the express written permission of Cypress.

Disclaimer: CYPRESS MAKES NO WARRANTY OF ANY KIND, EXPRESS OR IMPLIED, WITH REGARD TO THIS MATERIAL, INCLUDING, BUT NOT LIMITED TO, THE IMPLIED WARRANTIES OF MERCHANTABILITY AND FITNESS FOR A PARTICULAR PURPOSE. Cypress reserves the right to make changes without further notice to the materials described herein. Cypress does not assume any liability arising out of the application or use of any product or circuit described herein. Cypress does not authorize its products for use as critical components in life-support systems where a malfunction or failure may reasonably be expected to result in significant injury to the user. The inclusion of Cypress' product in a life-support systems application implies that the manufacturer assumes all risk of such use and in doing so indemnifies Cypress against all charges.

Use may be limited by and subject to the applicable Cypress software license agreement.