



THIS SPEC IS OBSOLETE

Spec Number: [001-84741](#)

Spec Title: PSoC® 5 to PSoC 5LP Migration Guide

Sunset Owner: MKEA

Replaced By: None

## PSoC<sup>®</sup> 5 to PSoC 5LP Migration Guide

**Author: Mark Ainsworth**

**Associated Project: No**

**Associated Part Family: All PSoC 5 and PSoC 5LP parts**

**Software Version: PSoC<sup>®</sup> Creator™ 2.1 SP1 and higher**

**For a complete list of related application notes, [click here](#).**

**If you have a question, or need help with this application note, contact the author at [mkea@cypress.com](mailto:mkea@cypress.com)**

AN84741 provides an overview of topics to consider when migrating from PSoC<sup>®</sup> 5 to PSoC 5LP devices. Device considerations and PSoC Creator topics are also discussed.

### Contents

PSoC <sup>®</sup> 5 to PSoC 5LP Migration Guide .....	1
Contents .....	1
Introduction .....	1
Device Differences .....	2
Hardware Design Considerations .....	4
Power System .....	4
Pin Assignment and PCB Design .....	4
Analog Performance .....	4
PSoC Creator Considerations .....	4
PSoC 5LP Device Selection .....	4
Static Timing Analysis Warnings .....	5
Analog Routing Differences .....	5
Porting Firmware .....	5
Summary .....	6
Related Application Notes .....	6
About the Author .....	6
Appendix A – Memory Map .....	7
Document History .....	8
Worldwide Sales and Design Support .....	9
Products .....	9
PSoC <sup>®</sup> Solutions .....	9

### Introduction

If, instead of PSoC 5, you want to migrate from a PSoC 3 design to PSoC 5LP, see [AN77835, PSoC 3 to PSoC 5LP Migration Guide](#).

The PSoC 5 and PSoC 5LP devices are designed for easy migration from PSoC 5 to PSoC 5LP. Although there are some differences such as additional features in PSoC 5LP, the programmable analog, programmable digital, programmable routing, pin functions, and other features are quite similar. Furthermore, the PSoC Creator IDE handles a lot of the migration issues for you, automatically. Often, migrating a PSoC Creator design is as simple as specifying a new part and then rebuilding the project.

However, you should keep in mind some considerations when planning for migration. For example, additional features in PSoC 5LP may make it desirable to reassign pins on the PCB.

This application note discusses all of the topics that you should consider when migrating a project or product from PSoC 5 to PSoC 5LP. Both device level and PSoC Creator project level considerations are covered. If you are new to PSoC 5 or PSoC 5LP, see one of the PSoC 5 or PSoC 5LP datasheets or [AN77759, Getting Started with PSoC 5LP](#). For hardware design topics, see [AN61290, PSoC 3 and PSoC 5LP Hardware Starting Guide](#).

## Device Differences

The major difference between PSoC 5 and PSoC 5LP is additional features, including boost, EMIF, CAN, temperature sensor, and faster SAR ADCs. For details see [Table 1](#), and for more information see the specific device datasheets.

**Note** At this time all PSoC 5LP datasheet specifications are preliminary.

Table 1. Major Differences between PSoC 5 and PSoC 5LP

Consideration	PSoC 5	PSoC 5LP
Functional blocks available only in PSoC 5LP	Not available	Boost External Memory Interface (EMIF) CAN Die temperature sensor
Nonvolatile latches (NVLs) NOT available in PSoC 5	Fixed settings are: I/O ports always in high impedance analog configuration until they are configured. no configurable XRES - Pin P1[2] is always a GPIO boot speed is per 12 MHz FIMO always using SWD - no JTAG no ECC, that flash can only be used for configuration or general purpose storage	Full NVL-based configuration; for details see the PSoC 5LP datasheet.
Operating voltage	2.7 V–5.5 V	1.8 V–5.5 V
Operating frequency	67 MHz max (ES1 versions were formerly specified at 80 MHz)	67 MHz max
MHzECO	MHzECO pins cannot be used as GPIOs	Can be used as GPIOs
Low-power modes	Sleep: wakeup only from central time wheel (CTW) at 128 msec max intervals. No PICU (including USBIOs), I <sup>2</sup> C, or comparator wakeup. 10-µF capacitors required on each Vccx for sleep. Only ILO can be used for timing during sleep. Watchdog timer (WDT) can only be used in active mode	Sleep: wakeup from a variety of sources including central time wheel (CTW) at 4096 ms max interval, RTC, I <sup>2</sup> C, comparator, and pin interrupts (PICU). ILO or kHzECO can be used for timing during sleep.
	Hibernate: wakeup only from device reset. No PICU (including USBIOs) wakeup.	Hibernate: wakeup from PICU.
Internal main oscillator (IMO)	3 MHz to 48 MHz, 5% accuracy at 3 MHz. For communication functions such as UART it is recommended to use an external crystal instead of the IMO. With either IMO or crystal as a source, the PLL can be used to generate higher frequencies, with the same accuracy as the source.	3 MHz to 62 MHz, 1% accuracy at 3 MHz. With either IMO or crystal as a source, the PLL can be used to generate higher frequencies, with the same accuracy as the source.
USB	For USB a 24 MHz external crystal is required, and bus clock must be > 33 MHz.	IMO has a mode that adjusts to the USB signal as a reference, requiring no external crystal for USB.
Timers	Fixed-function timer interrupt outputs not available, can still route the TC output to an interrupt through the DSI. UDB-based timer, counter and PWM components can be created.	Four fixed-function timers that can operate in counter, timer or PWM mode. UDB-based timer, counter and PWM components can also be created.

Consideration	PSoC 5	PSoC 5LP
UDBs	Sync and pulse modes not available in control registers	Sync and pulse modes are available in control registers
Debug	JTAG not available, only SWD. SWV is always on when SWD is being used; impacts usage of P1[3]. Pull-down required on SWDCK if doing SWD over USBIOs.	JTAG, SWD, SWV, TRACEPORT. JTAG support available from a variety of third party sources, see <a href="#">General PSoC Programming</a>
Electrical specifications <b>(At this time, all PSoC 5LP            datasheet specifications            are preliminary.)</b>	Full-chip $I_{DD}$ at 6 MHz: 6 mA typ	Full-chip $I_{DD}$ at 6 MHz: 3.1 mA typ
	Each $V_{DDIO}$ can source up to 20 mA through its pins, and sink up to 100 mA.	Each $V_{DDIO}$ can source and sink up to 100 mA through its pins.
	Opamp: $V_{OS}$ 3 mV max, max drive current 10 mA. Only one power mode (high),	Opamp: $V_{OS}$ 2.5 mV max, max drive current 25 mA. Four power modes available.
	Del-sig ADC: $G_e$ 0.6%, $V_{OS}$ (buffered) $\pm 0.65$ mV, $I_{DD}$ 4 mA. No rail-to-rail mode in the buffer, EOC signal cannot be routed through the DSI.	Del-sig ADC: $G_e$ 0.2%, $V_{OS}$ (buffered) $\pm 0.2$ mV, $I_{DD}$ from 1.2 mA to 4 mA
	SAR ADCs: up to 700 ksp/s	SAR ADCs: up to 1 Msps
	Voltage reference: $-0.7\%$ / $+0.9\%$	Voltage reference: $\pm 0.1\%$
	Comparator: $V_{OS}$ 15 mV	Comparator: $V_{OS}$ 10 mV
	DAC: update rate 5.5 Msps, $G_e$ $\pm 5\%$ , ZSe $\pm 2.5$ LSB, INL $\pm 3$ LSB, DNL $\pm 1.6$ LSB, glitches in response	DAC: update rate 8 Msps, $G_e$ $\pm 2.5\%$ , ZSe $\pm 1$ LSB, INL $\pm 1$ LSB, DNL $\pm 1$ LSB
	SC/CT (PGA, TIA, mixer): TIA, PGA $V_{OS}$ 20 mV, TIA input BW 1 MHz, PGA $G_e$ $\pm 2\%$	SC/CT (PGA, TIA, mixer): TIA, PGA $V_{OS}$ 10 mV, TIA input BW 1.2 MHz, PGA $G_e$ $\pm 0.15\%$
	LCD: $I_{DD}$ 63 $\mu$ A, segment driver current 148 $\mu$ A	LCD: $I_{DD}$ 38 $\mu$ A, segment driver current 260 $\mu$ A
USB: $I_{USB}$ in configured mode 55 mA	USB: $I_{USB}$ in configured mode 10 mA	
Flash: total device programming time 9 s typ.	Flash: total device programming time 5 s typ.	

## Hardware Design Considerations

To plan for project migration, the first step is to review your overall system, focusing on the power system, PCB design, and the PSoC Creator project. As [Table 1](#) shows, PSoC 5LP has some differences from PSoC 5.

### Power System

[Table 1](#) shows several considerations that may affect your product's power system design:

- The minimum operating voltage for PSoC 5 is 2.7 V, whereas PSoC 5LP can run down to 1.8 V. Note that PSoC V<sub>DDIO</sub> voltages and pins can be set up for level shifting, to more easily interface PSoC with other ICs on the PCB.
- Depending on usage, PSoC 5 and PSoC 5LP consume different amounts of current. Generally PSoC 5LP consumes less than PSoC 5.
- PSoC 5 low-power modes and wakeup conditions are more restricted than for PSoC 5LP, so you should review your product's sleep and wakeup requirements.
- The boost feature is not available in PSoC 5.

### Pin Assignment and PCB Design

[Table 1](#) also shows considerations that may affect your PSoC pin assignments, as well as your overall PCB layout and design. Specifically:

- The PSoC 5 MHzECO pins cannot be used as GPIOs; they can with PSoC 5LP. Also with PSoC 5, many functions such as UART require a crystal (MHzECO) or other high precision clock source, which may not be needed with PSoC 5LP.
- JTAG is not available in PSoC 5, only SWD / SWV. This impacts usage of certain P1 pins, including P1[3]. All debug and trace functions, with corresponding pin usage, are available in PSoC 5LP.
- The EMIF, CAN, and temperature sensor features are not available in PSoC 5; they are in PSoC 5LP.

### Analog Performance

Finally, [Table 1](#) shows differences in the electrical specifications that may affect the analog performance of your PSoC Creator project. You should review your product's analog system requirements and make sure that they can be met by PSoC 5 and PSoC 5LP.

## PSoC Creator Considerations

When you do change the device in your product, you must update your PSoC Creator project. This application note covers how to migrate PSoC Creator 2.1 SP1 projects. If you currently have a PSoC Creator 1.0 project, you should first migrate it to PSoC Creator 2.1 SP1. When you do, you may need to handle some issues, including:

- Obsolete devices
- Migrating components from PSoC Creator 1.0

Information on these topics can be found in the [PSoC Creator 2.0 Migration Guide](#) and the [PSoC Creator 2.1 SP1 Migration Guide](#).

Once you have a stable and working project with PSoC Creator 2.1 SP1, you should save an archive or backup copy – this is always good practice. You can then change the device in that project. There are two steps involved:

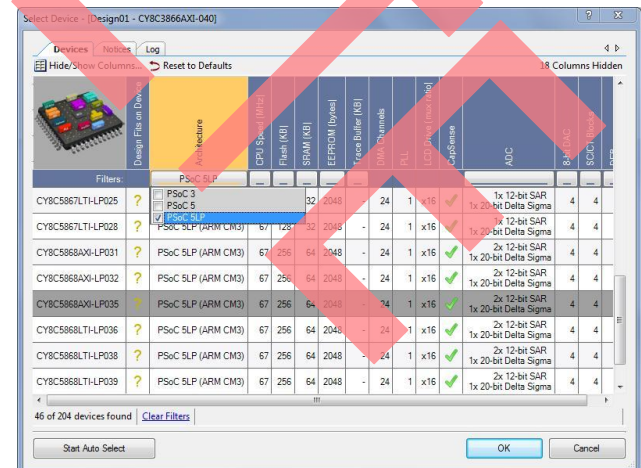
- Selecting the new device
- Clearing initial build errors

The remainder of this application note details how each of these steps should be done.

### PSoC 5LP Device Selection

The first step to migrate a project is to select the appropriate device. The differences noted in [Table 1](#) notwithstanding, all of the devices have similar packages, pinouts, peripheral blocks, and functions, so in many cases it is easy to find the right device. The best way to start is to review the various device family datasheets. In addition, PSoC Creator offers a handy dialog to assist with device selection, as [Figure 1](#) shows.

Figure 1. PSoC Creator Device Selector Dialog



Once you have selected your new device, you must change your PSoC Creator project from a PSoC 5 project to a PSoC 5LP project - do the following steps:

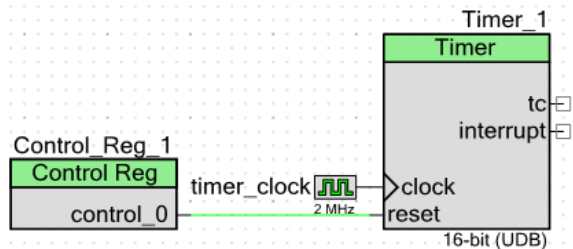
- Go to menu item Project > Device Selector
- In the dialog box (see Figure 1) click the button under the "Architecture" column, and make sure that "PSoC 5LP" is checked.
- Click on the row for the device you want, then click OK. The dialog box will close and the project in the Workspace Explorer window will show the new device.
- Rebuild the changed project.

### Static Timing Analysis Warnings

One class of warnings that may come up when migrating a design is static timing analysis (STA). These occur when signals between digital blocks may not meet setup and hold time requirements for more information, see AN81623, PSoC Digital Design Best Practices. Let us look at one example.

In Figure 2, a control register is driving the reset input of a UDB-based timer. What is not apparent is that the highest frequency clock in the design, that is, the bus clock, is clocking the control register. With a high frequency bus clock, you can get setup time violations between bus clock and the timer clock:

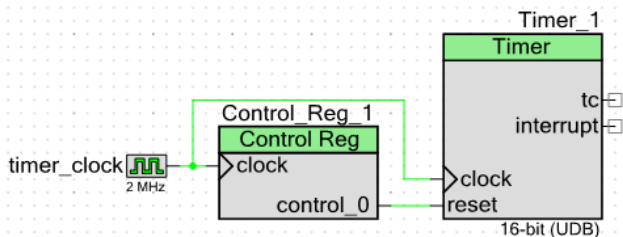
Figure 2. STA Errors from Multiple Clocks



Warning-1366: Setup time violation found in a path from clock ( CyBUS\_CLK ) to clock ( timer\_clock ).

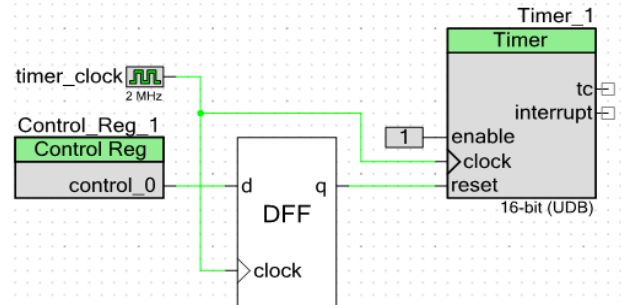
In PSoC 5LP, this is easy to fix by putting the control register in Sync mode, as Figure 3 shows:

Figure 3. PSoC 5LP Sync Mode



However, this solution cannot be used with PSoC 5 because the control registers are clocked only by bus clock. Therefore, an alternate solution, which works for all devices, is to use a DFF as Figure 4 shows:

Figure 4. PSoC 5 and PSoC 5LP DFF Solution



Note also that this design actually causes another STA warning due to another control register associated with the UDB datapaths in the Timer component. The best way to handle this warning is to turn on the Timer hardware enable and then, assuming you want the Timer to be always enabled, just tie it high.

The full STA report is provided as a standalone HTML report in the Results tab of the Workspace Explorer window.

### Analog Routing Differences

The analog routing in PSoC 5 is different from that in PSoC 5LP. This is most easily seen at the inputs to the delta-sigma ADC and the SC/CT blocks. For details, see Figure 8-2 in the respective datasheets. PSoC Creator is aware of the routing differences, so in many cases you can just rebuild the project for the new device, and the project's functions and performance generally remain unchanged.

However, note that you can constrain or manually optimize the analog routing, by using the Manual Routing components or the Analog Editor in PSoC Creator 2.1. If your design has these constraints, it may not directly port to the new device. In this case, you must either change your usage of the Manual Routing components or re-route manually using the Analog Editor.

### Porting Firmware

Because PSoC 5 and PSoC 5LP both have the Cortex-M3 CPU, there are no firmware porting issues. PSoC Creator supports the gcc and MDK compilers for both families.

## Summary

This application note has provided a detailed discussion of considerations for migrating designs from PSoC 5 to PSoC 5LP devices.

The best way to avoid problems when migrating designs is to plan ahead. The overall product requirements and system-level design should be reviewed to make certain that all device families can be used. Then, design the PCB so that parts from both families can be used. Finally, design the PSoC Creator project schematic, .cydwr file, and code such that the project can be rebuilt for all devices that you plan to use.

## Related Application Notes

- AN77835 – PSoC 3 to PSoC 5LP Migration Guide
- [AN77759](#) - Getting Started With a PSoC 5LP
- [AN61290](#) - PSoC 3 and PSoC 5LP Hardware Starting Guide
- [AN81623](#) – PSoC 3 and PSoC 5LP Digital Design Best Practices

---

## About the Author

Name: Mark Ainsworth  
Title: Applications Engineer Principal  
Background: Mark Ainsworth has a BS in Computer Engineering from Syracuse University and a MSEE from University of Washington.  
Contact: [mkea@cypress.com](mailto:mkea@cypress.com)

## Appendix A – Memory Map

The ARM Cortex-M3 architecture uses a single 32-bit linear memory map, as Figure 5 shows. The SRAM in PSoC 5 and PSoC 5LP actually occupies the addresses 0x1FFF8000 to 0x20007FFF, centered on the boundary between the Cortex-M3 Code and SRAM spaces.

The remainder of the code space is occupied solely by flash, starting at address 0. The PSoC 5 and PSoC 5LP registers occupy the Cortex-M3 Peripheral space.

Figure 5. PSoC 5 Cortex-M3 Memory Map

Vendor-specific	1.0GB	0xFFFFFFFF	0xE0100000
Private peripheral bus - External		0xE00FFFFFF	0xE0040000
Private peripheral bus - Internal		0xE003FFFF	0xE0000000
External device	1.0GB	0xDFFFFFFF	0xA0000000
External RAM	1.0GB	0x9FFFFFFF	0x60000000
Peripheral	0.5GB	0x5FFFFFFF	0x40000000
SRAM	0.5GB	0x3FFFFFFF	0x20000000
Code	0.5GB	0x1FFFFFFF	0x00000000



## Document History

Document Title: PSoC® 5 to PSoC 5LP Migration Guide

Document Number: 001-84741

Revision	ECN	Orig. of Change	Submission Date	Description of Change
**	3818456	MKEA	11/21/2012	New application note
*A	4193454	MKEA	11/15/2013	Obsolete application note

## Worldwide Sales and Design Support

Cypress maintains a worldwide network of offices, solution centers, manufacturer's representatives, and distributors. To find the office closest to you, visit us at [Cypress Locations](#).

### Products

Automotive	<a href="http://cypress.com/go/automotive">cypress.com/go/automotive</a>
Clocks & Buffers	<a href="http://cypress.com/go/clocks">cypress.com/go/clocks</a>
Interface	<a href="http://cypress.com/go/interface">cypress.com/go/interface</a>
Lighting & Power Control	<a href="http://cypress.com/go/powerpsoc">cypress.com/go/powerpsoc</a> <a href="http://cypress.com/go/plc">cypress.com/go/plc</a>
Memory	<a href="http://cypress.com/go/memory">cypress.com/go/memory</a>
PSoC	<a href="http://cypress.com/go/psoc">cypress.com/go/psoc</a>
Touch Sensing	<a href="http://cypress.com/go/touch">cypress.com/go/touch</a>
USB Controllers	<a href="http://cypress.com/go/usb">cypress.com/go/usb</a>
Wireless/Rf	<a href="http://cypress.com/go/wireless">cypress.com/go/wireless</a>

### PSoC® Solutions

[psoc.cypress.com/solutions](http://psoc.cypress.com/solutions)

[PSoC 1](#) | [PSoC 3](#) | [PSoC 5LP](#)

### Cypress Developer Community

[Community](#) | [Forums](#) | [Blogs](#) | [Video](#) | [Training](#)

### Technical Support

[cypress.com/go/support](http://cypress.com/go/support)

PSoC is a registered trademark of Cypress Semiconductor Corp. All other trademarks or registered trademarks referenced herein are the property of their respective owners.



Cypress Semiconductor  
198 Champion Court  
San Jose, CA 95134-1709  
Phone : 408-943-2600  
Fax : 408-943-4730  
Website : [www.cypress.com](http://www.cypress.com)

© Cypress Semiconductor Corporation, 2012. The information contained herein is subject to change without notice. Cypress Semiconductor Corporation assumes no responsibility for the use of any circuitry other than circuitry embodied in a Cypress product. Nor does it convey or imply any license under patent or other rights. Cypress products are not warranted nor intended to be used for medical, life support, life saving, critical control or safety applications, unless pursuant to an express written agreement with Cypress. Furthermore, Cypress does not authorize its products for use as critical components in life-support systems where a malfunction or failure may reasonably be expected to result in significant injury to the user. The inclusion of Cypress products in life-support systems application implies that the manufacturer assumes all risk of such use and in doing so indemnifies Cypress against all charges.

This Source Code (software and/or firmware) is owned by Cypress Semiconductor Corporation (Cypress) and is protected by and subject to worldwide patent protection (United States and foreign), United States copyright laws and international treaty provisions. Cypress hereby grants to licensee a personal, non-exclusive, non-transferable license to copy, use, modify, create derivative works of, and compile the Cypress Source Code and derivative works for the sole purpose of creating custom software and or firmware in support of licensee product to be used only in conjunction with a Cypress integrated circuit as specified in the applicable agreement. Any reproduction, modification, translation, compilation, or representation of this Source Code except as specified above is prohibited without the express written permission of Cypress.

Disclaimer: CYPRESS MAKES NO WARRANTY OF ANY KIND, EXPRESS OR IMPLIED, WITH REGARD TO THIS MATERIAL, INCLUDING, BUT NOT LIMITED TO, THE IMPLIED WARRANTIES OF MERCHANTABILITY AND FITNESS FOR A PARTICULAR PURPOSE. Cypress reserves the right to make changes without further notice to the materials described herein. Cypress does not assume any liability arising out of the application or use of any product or circuit described herein. Cypress does not authorize its products for use as critical components in life-support systems where a malfunction or failure may reasonably be expected to result in significant injury to the user. The inclusion of Cypress' product in a life-support systems application implies that the manufacturer assumes all risk of such use and in doing so indemnifies Cypress against all charges. Use may be limited by and subject to the applicable Cypress software license agreement.