

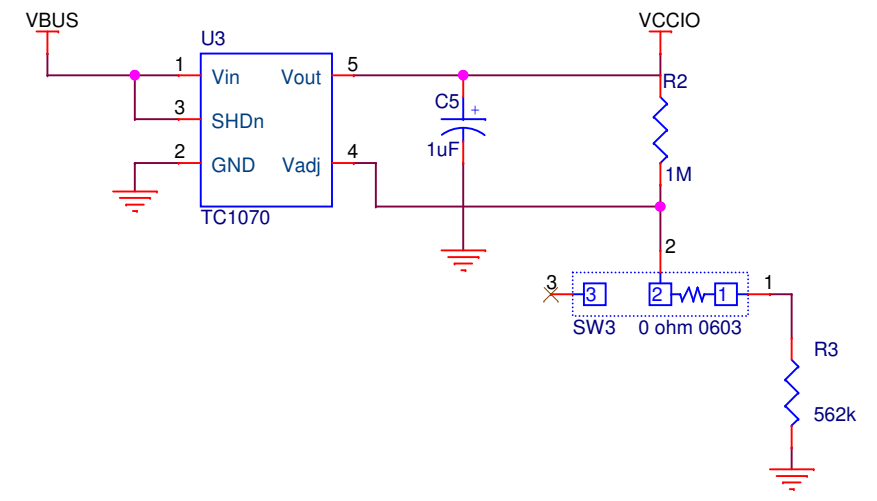
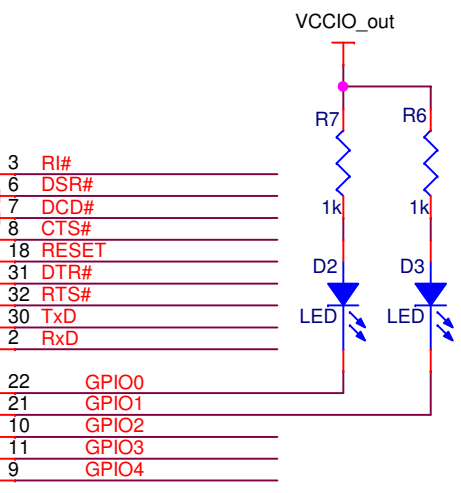
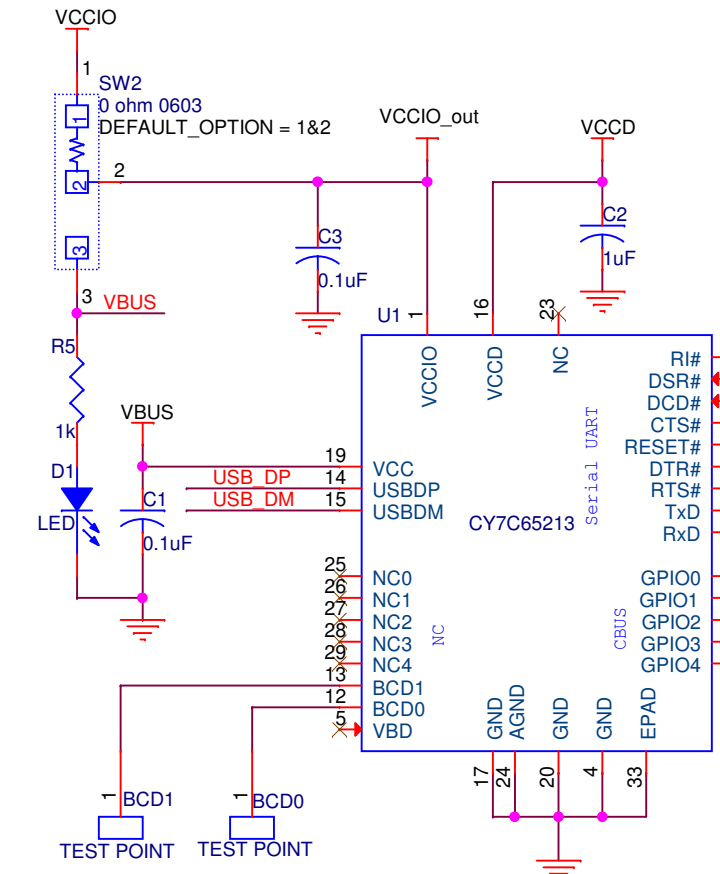
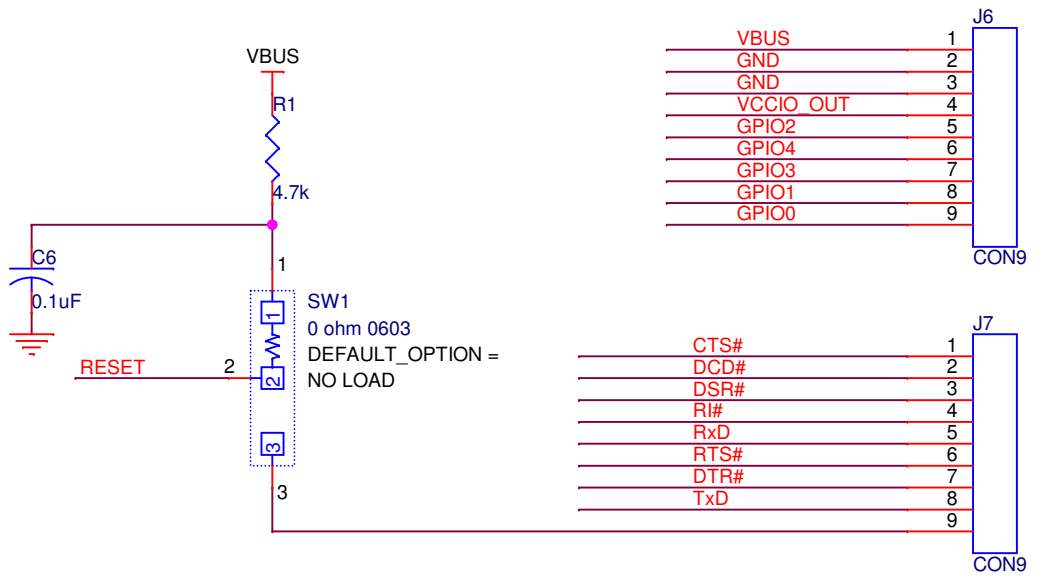
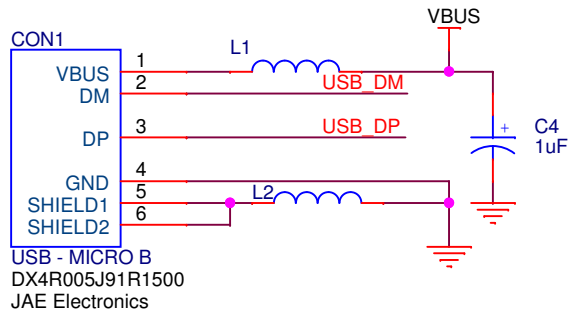
**CYUSBS232 USB-UART LP BOARD  
REV 03**

<b>PAGE NO</b>	<b>TITLE</b>
<b>01</b>	<b>TITLE PAGE</b>
<b>02</b>	<b>CY7C65213 DEVICE CONNECTION</b>

**PCBA NUMBER : 121-60077-01  
PCB NUMBER : 600-60096-01  
FAB DRAWING NUMBER : 610-60095-01  
ASSEMBLY DRAWING NUMBER : 620-60096-01**



<b>CYPRESS SEMICONDUCTOR © 2013</b>		
Title CYUSBS232 USB-UART LP BOARD		
Size A	Document Number 630-60096-01	Rev 03
<b>TITLE PAGE</b>		
Date:	Wednesday, August 28, 2013	Sheet 1 of 2



<b>CYPRESS SEMICONDUCTOR © 2013</b>		
Title CYUSBS232 USB-UART LP BOARD		
Size A	Document Number 630-60096-01	Rev 03
<b>CY7C65213 DEVICE CONNECTION</b>		
Date:	Wednesday, August 28, 2013	Sheet 2 of 2