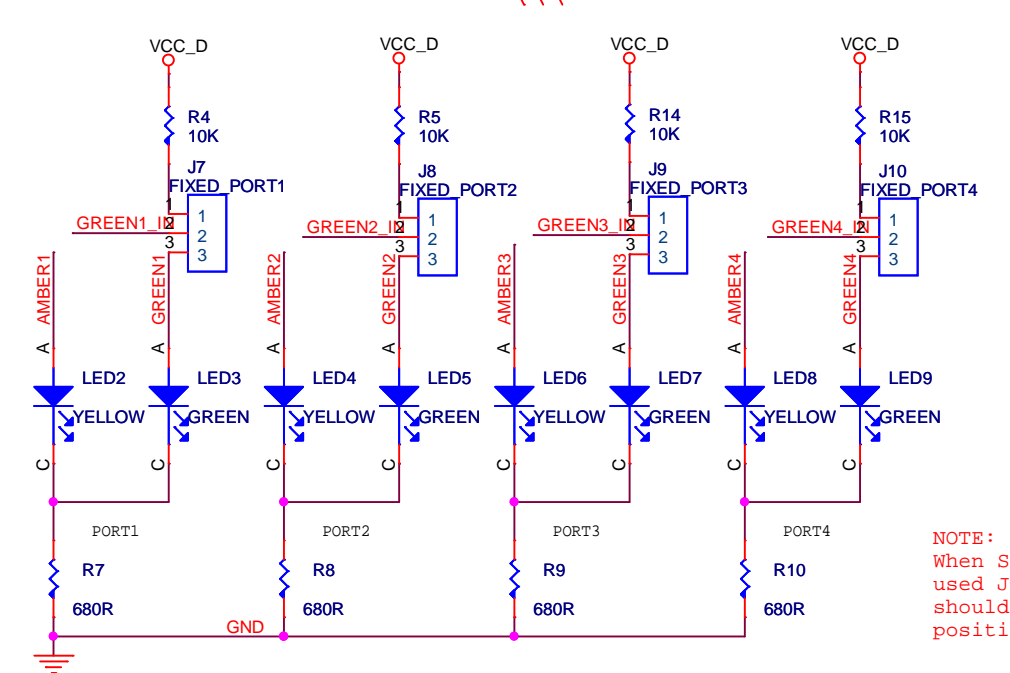
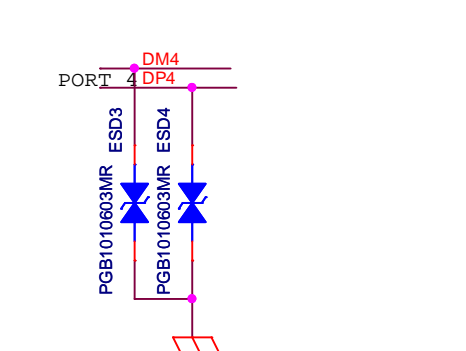
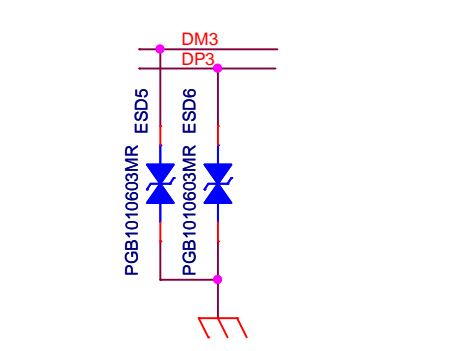
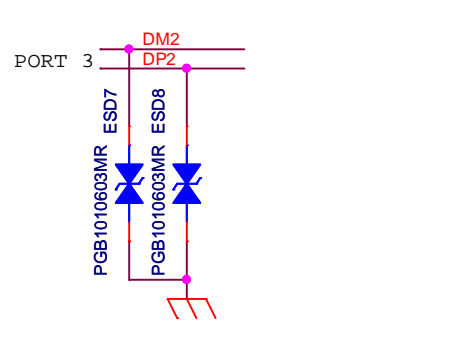
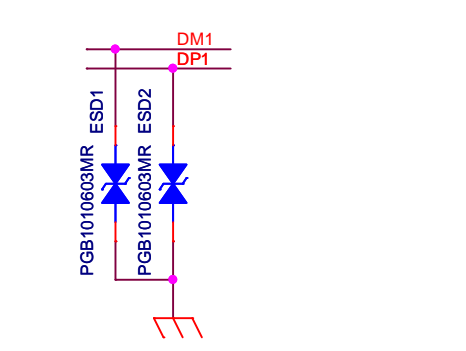
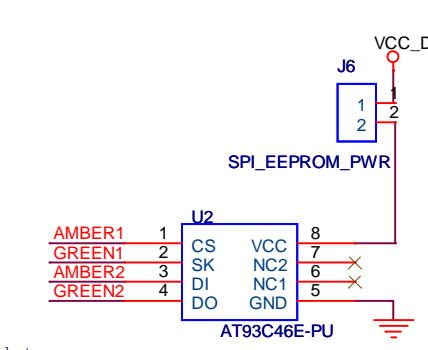
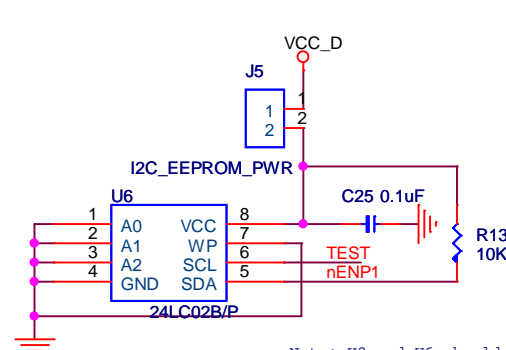
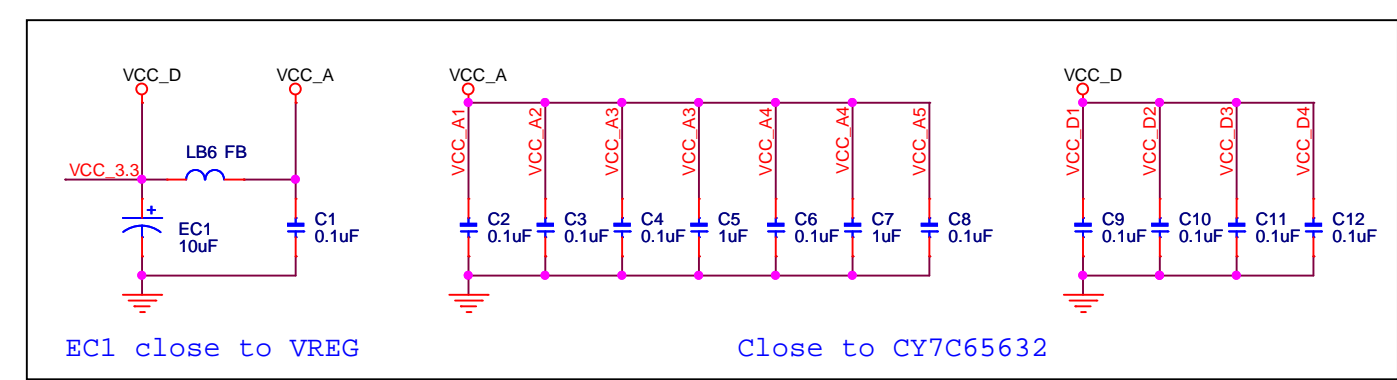
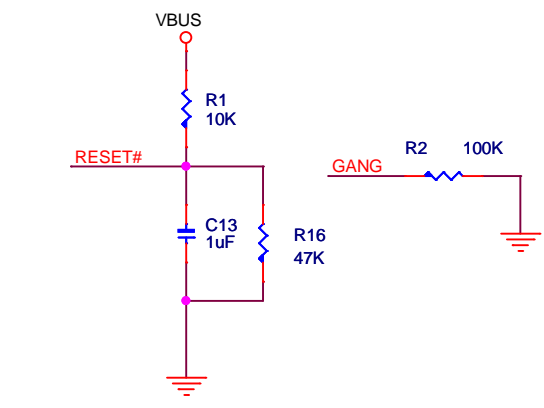
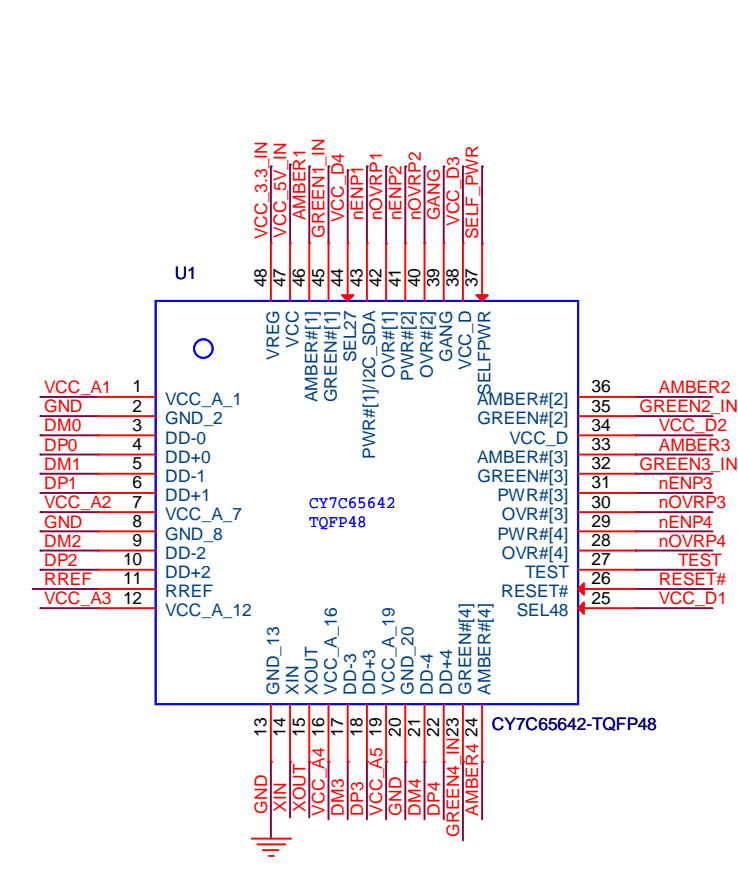


USB Downstream Ports



NOTE: When SPI EEPROM is used J9 and J10 should be in position 2-3.



Note: U2 and U6 should be placed on sockets

