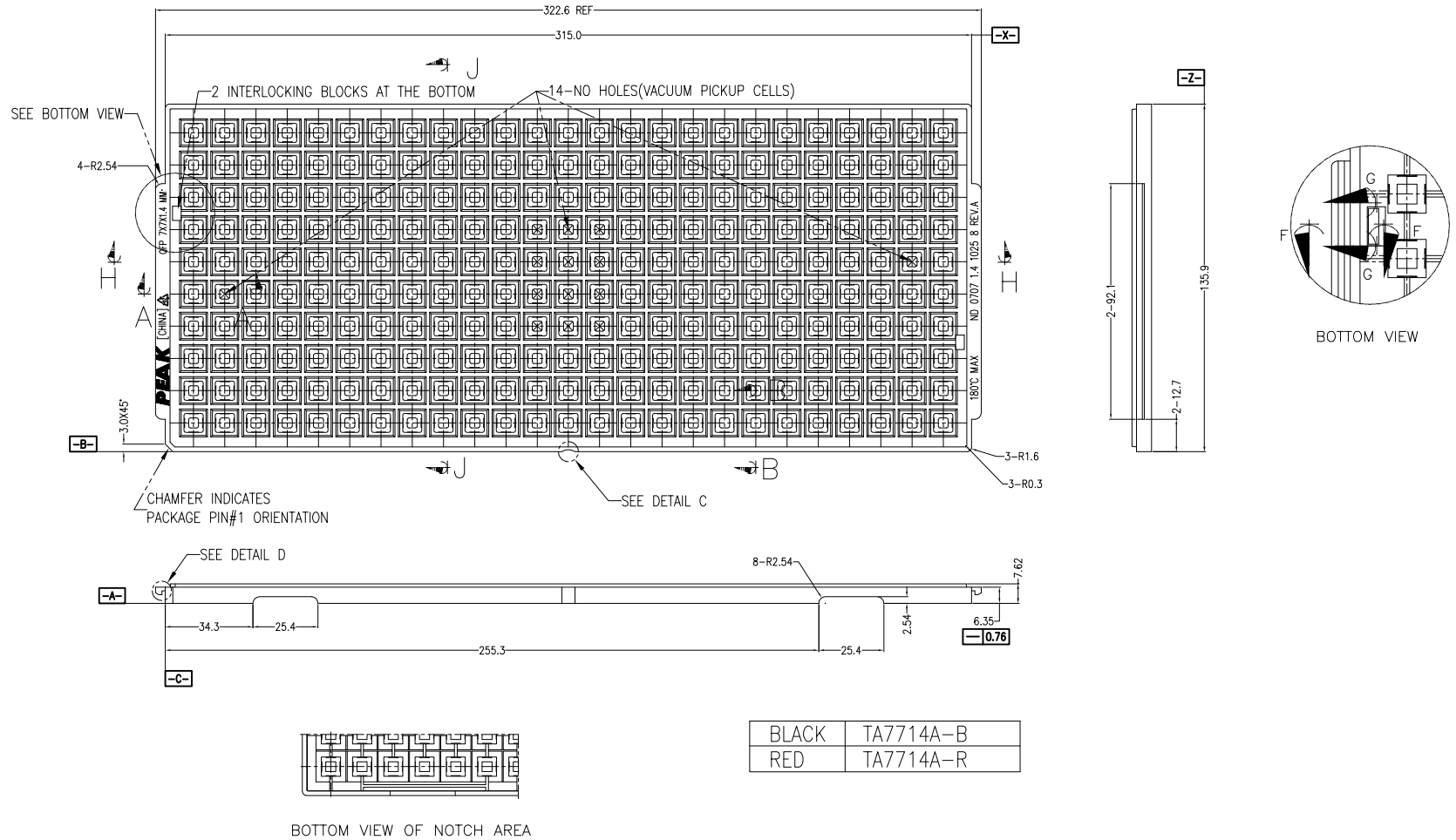


REVISIONS

PAGE	ZONE	REV	ECN	DESCRIPTION	DATE	APPROVED
		**	52666	NEW RELEASE	10/17/97	
		*A	3443757	CHANGE TITLE FROM TQFP TRAY 7 X 7 X 1.4(ANAM) TO TRAY, TQFP 7X7X1.4 (PEAK) UPDATED DRAWING, CHANGE TEMPLATE	12/09/11	QAD/KGL/AZY
		*B	3770544	TRANSFER DRAWING TO CML TEMPLATE	10/09/12	QAD/KGL

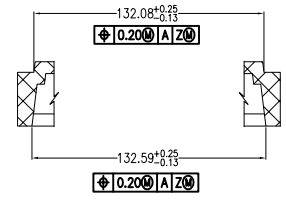
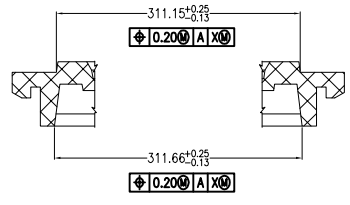
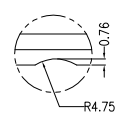
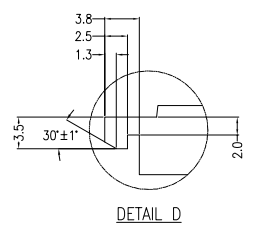
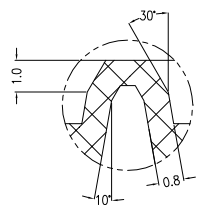
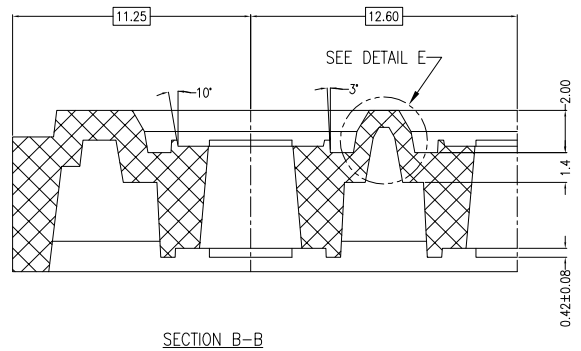
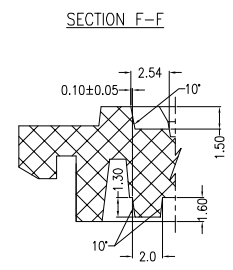
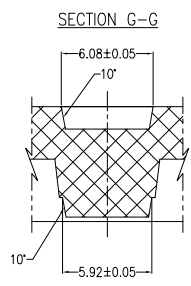
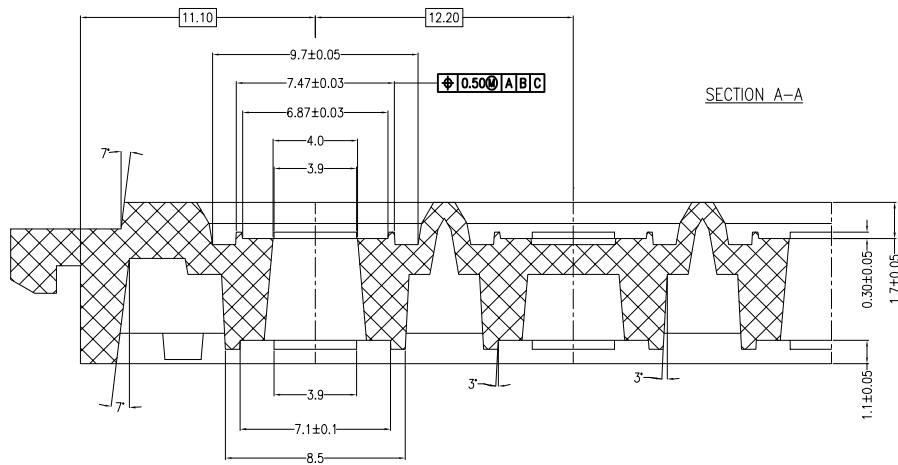


NOTES:

1. MATERIAL - PP8.
2. ALL DIMENSIONS ARE IN MILLIMETERS.
3. TOLERANCES - X.X = ±0.25
- X.XX = ±0.13
DRAFT ANGLES FOR REFERENCE.
UNLESS OTHERWISE SPECIFIED.
4. ESD - SURFACE RESISTIVITY
- 10⁹ TO 10¹¹ OHMS/SQ.
5. FOR PACKAGE - 1.4MM THICKNESS.
6. SUPPLIER PART NO. : ND 0707 1.4 1025 8 REV.A
7. DATE CODE AT TRAY BOTTOM SIDE.

THIS DRAWING CONTAINS INFORMATION WHICH IS THE PROPRIETARY PROPERTY OF CYPRESS SEMICONDUCTOR CORPORATION. THIS DRAWING IS RECEIVED IN CONFIDENCE AND ITS CONTENTS MAY NOT BE DISCLOSED WITHOUT WRITTEN CONSENT OF CYPRESS SEMICONDUCTOR CORPORATION.

UNLESS OTHERWISE SPECIFIED		DESIGNED BY	DATE	
ALL DIMENSIONS ARE IN MILLIMETERS STANDARD TOLERANCES ON:		DRAWN	DATE	
DECIMALS	ANGLES	XVC	10/08/12	TITLE TRAY, TQFP 7X7X1.4 (PEAK) SIZE PART NO. DWG NO. REV TA7714A-x 51-52030 xB
.XX ± 0.25	± 0.5°	CHK BY	DATE	
.XXX ± 0.13		ZJL	10/08/12	
MATERIAL SEE NOTES		APPROVED BY	DATE	SCALE FIT TO SCALE
		QAD	10/08/12	SHEET 1 OF 2
		APPROVED BY	DATE	
		KGL	10/08/12	
FINISH				



NOTE:
SCALLOP IS CENTERED
ON SIDE OF TRAY

THIS DRAWING CONTAINS INFORMATION WHICH IS THE PROPRIETARY PROPERTY OF CYPRESS SEMICONDUCTOR CORPORATION. THIS DRAWING IS RECEIVED IN CONFIDENCE AND ITS CONTENTS MAY NOT BE DISCLOSED WITHOUT WRITTEN CONSENT OF CYPRESS SEMICONDUCTOR CORPORATION.

UNLESS OTHERWISE SPECIFIED ALL DIMENSIONS ARE IN MILLIMETERS STANDARD TOLERANCES ON: DECIMALS ± 0.25 XXX ± 0.13 XXXX		DESIGNED BY XVC		DATE 10/08/12				
ANGLES ± 0.5°		DRAWN ZJL		DATE 10/08/12				
MATERIAL SEE NOTES		CHK BY QAD		DATE 10/08/12		TITLE TRAY, TQFP 7X7X1.4 (PEAK)		
FINISH		APPROVED BY KGL		DATE 10/08/12		SIZE TA7714A-x	PART NO. 51-52030	DWG NO. REV x-B
SCALE FIT TO SCALE						SHEET 2 OF 2		