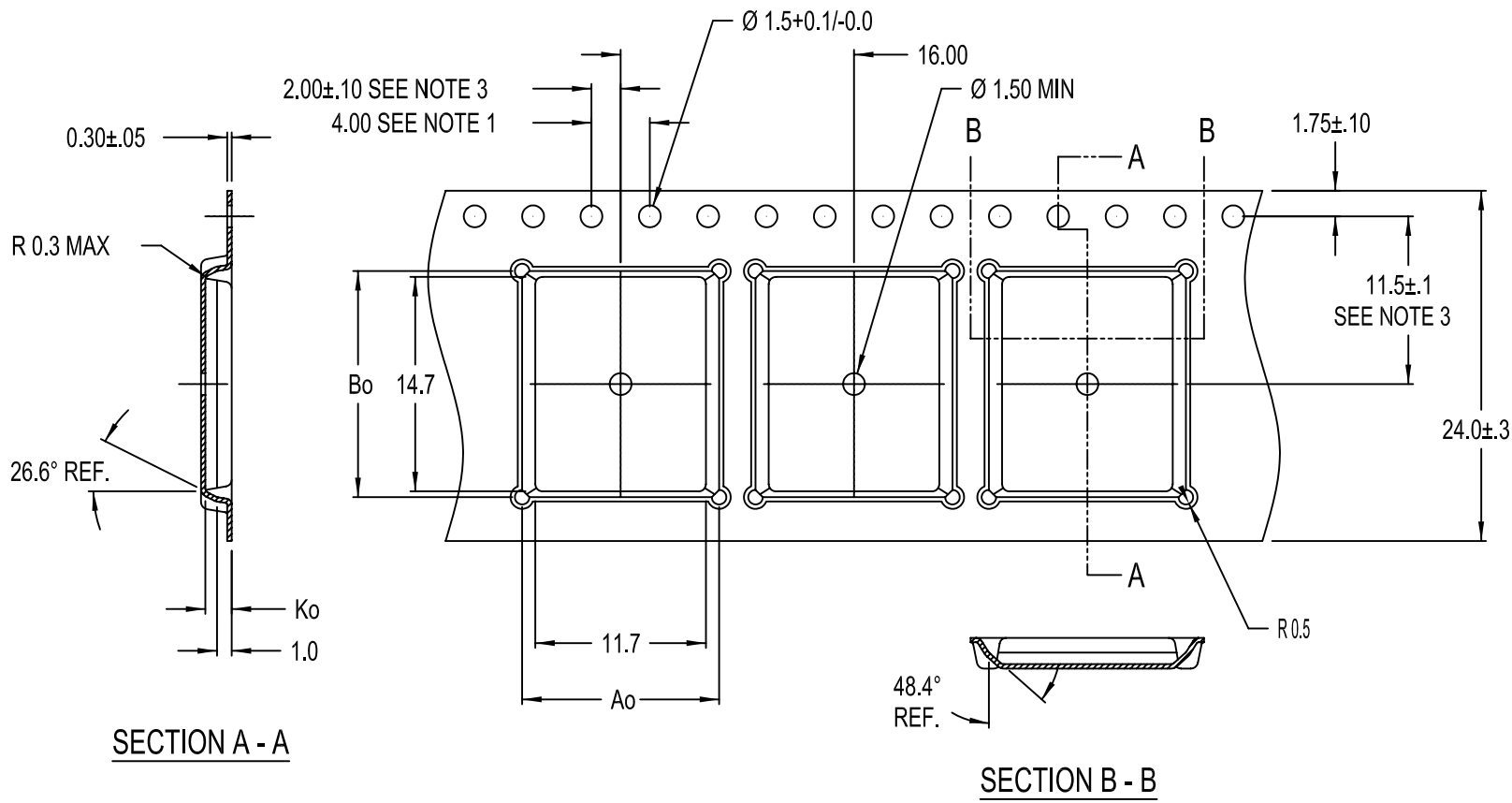


REVISIONS						
PAGE	ZONE	REV	ECN	DESCRIPTION	DATE	APPROVED
-	-	**	108617	NEW RELEASE	07/10/01	
-	-	*A	111308	ADDED Ao, Bo, Ko TOLERANCE DIMENSION	10/28/01	
-	-	*B	120097	CHANGE TITLE FROM 165 FBGA CARRIER TAPE (13X15MM) TO CARRIER TAPE, FBGA 165 (13X15MM), DELETED ADVANTEK DWG REF#.	10/14/02	
-	-	*C	3769090	SUNSET REVIEW. CHANGE DRAWING TEMPLATE ALIGNED TO 001-49215	10/12/12	



SECTION A - A

SECTION B - B

Ao = $13.50 \pm 0.1 \text{ mm}$
Bo = $15.50 \pm 0.1 \text{ mm}$
Ko = $1.80 \pm 0.1 \text{ mm}$

- NOTES:
- 10 SPROCKET HOLE PITCH CUMULATIVE TOLERANCE ± 0.2
 - CAMBER IN COMPLIANCE WITH EIA 481
 - POCKET POSITION RELATIVE TO SPROCKET HOLE MEASURED AS TRUE POSITION OF POCKET, NOT POCKET HOLE

UNLESS OTHERWISE SPECIFIED ALL DIMENSIONS ARE IN MILLIMETERS STANDARD TOLERANCES ON:	DESIGNED BY	DATE				
	DRAWN BY FTA	DATE 10/14/02				
	CHECKED BY	DATE				
	APPROVED BY	DATE				
DECIMALS .X ± 0.2 .XX ± 0.10 .XXX \pm	ANGLES \pm	TITLE CARRIER TAPE, FBGA165 (13X15MM)				
MATERIAL PS+C	APPROVED BY	DATE	SIZE A	PART NO. BG165CT	DWG NO 51-51126	REV *C
FINISH	APPROVED BY	DATE	SCALE: NTS	SHEET 1 OF 1		

THIS DRAWING CONTAINS INFORMATION WHICH IS THE PROPRIETARY PROPERTY OF CYPRESS SEMICONDUCTOR CORPORATION. THIS DRAWING IS RECEIVED IN CONFIDENCE AND ITS CONTENTS MAY NOT BE DISCLOSED WITHOUT WRITTEN CONSENT OF CYPRESS SEMICONDUCTOR CORPORATION.